

4

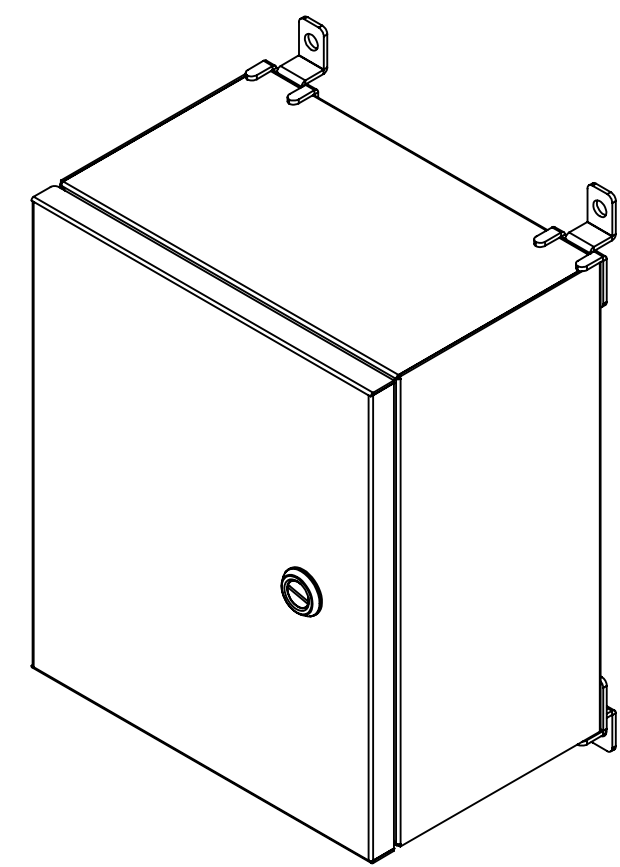
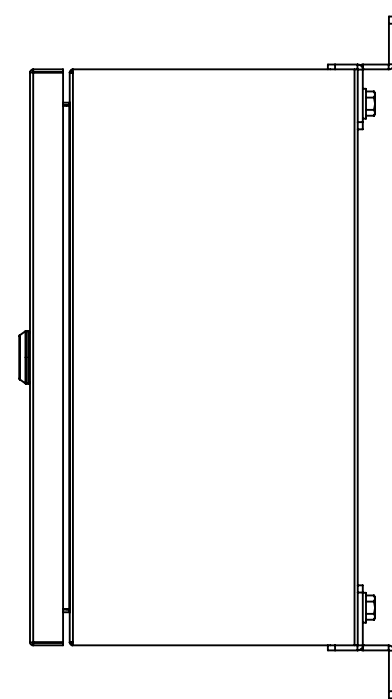
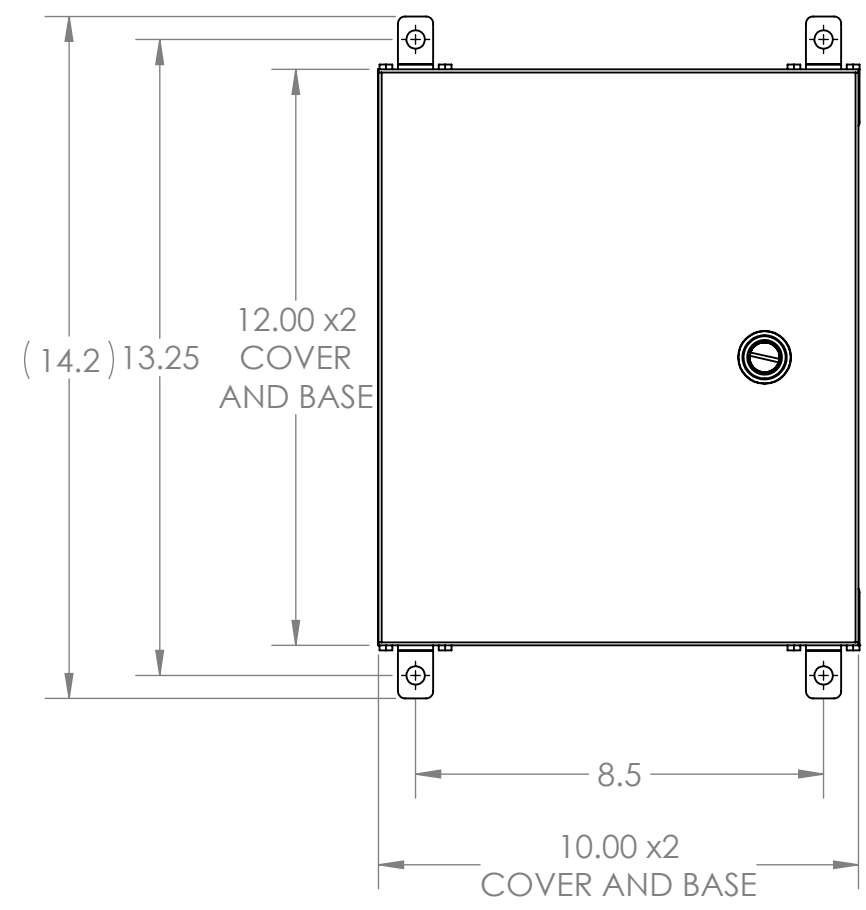
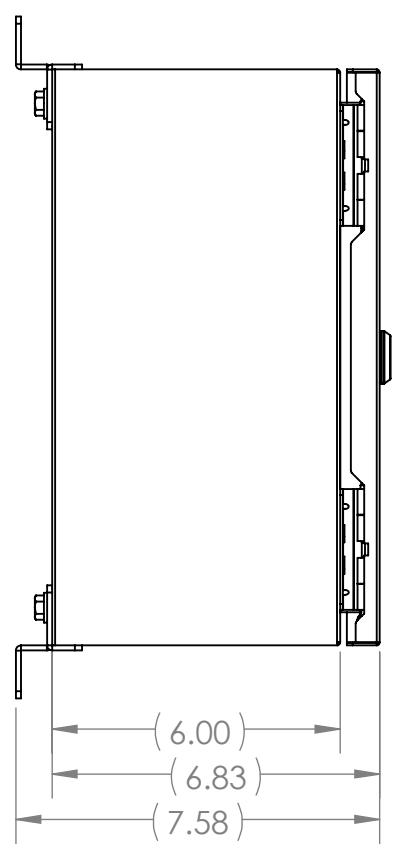
3

2

1

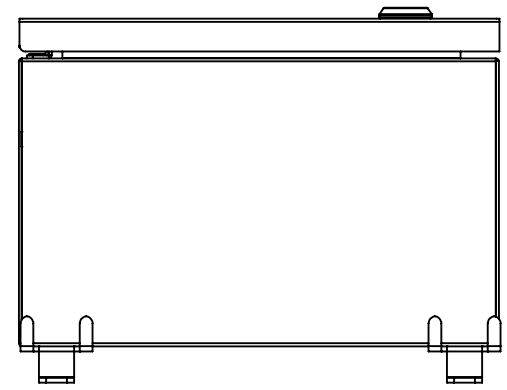
B

B



A

A



NOTE:
1. BASE MATERIAL: 16 Ga. (.060") 304 SS
2. COVER MATERIAL: 16 Ga. (.060") 304 SS

INTEGRA ENCLOSURES
A DIVISION OF MUM INDUSTRIES
8989 TYLER BLVD. MENTOR, OH
ENCLOSURES (440)269-8155 FAX (440)269-8166

UNLESS OTHERWISE SPECIFIED: DIMENSIONS ARE IN INCHES [MM] AND ARE NOMINAL ONLY		DWG. NO. W121006-4PQ-BT	
PROPRIETARY AND CONFIDENTIAL THE INFORMATION CONTAINED IN THIS DRAWING IS THE SOLE PROPERTY OF MUM INDUSTRIES INC. ANY REPRODUCTION IN PART OR AS A WHOLE WITHOUT THE WRITTEN PERMISSION OF MUM INDUSTRIES INC. IS PROHIBITED.		SIZE B	DESCRIPTION: WALL-12X10X06-304- PHN-QTL
REV C	SCALE: 1:4	WEIGHT:	SHEET 1 OF 2

4

3

2

1

4

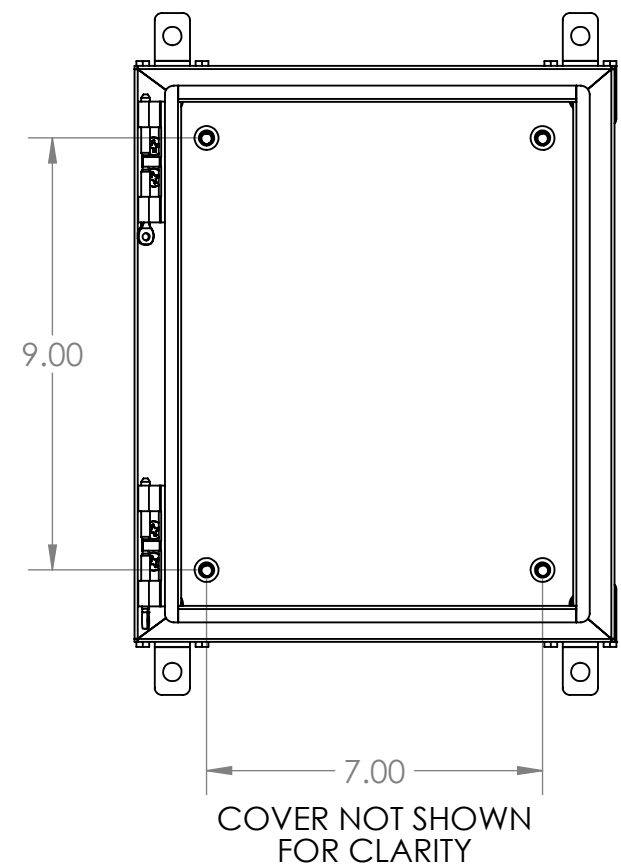
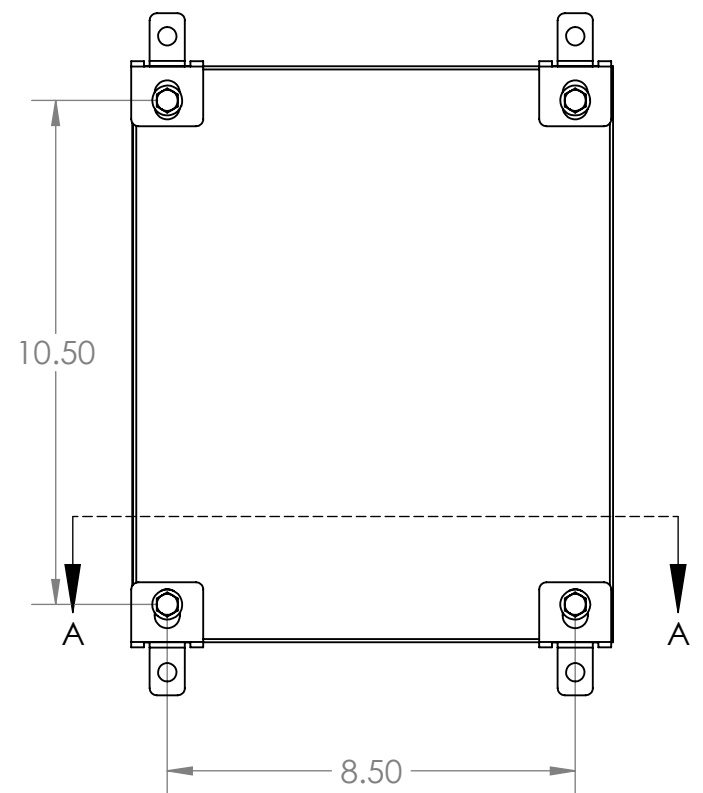
3

2

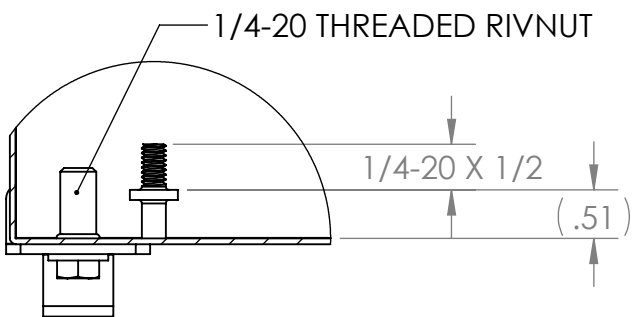
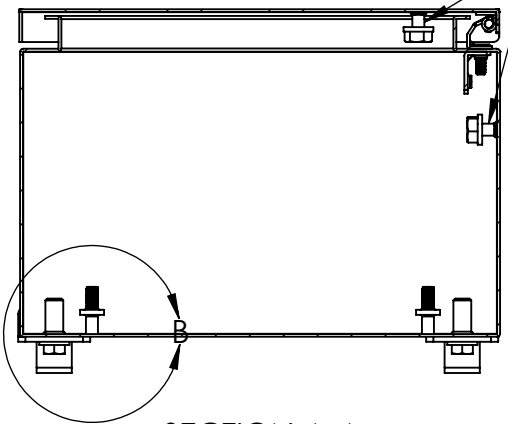
1

B

B



1/4-20 GROUND STUDS IN COVER AND BASE



DETAIL B x 4
SCALE 1 : 2

INTEGRA ENCLOSURES
 A DIVISION OF MUM INDUSTRIES
 8989 TYLER BLVD. MENTOR, OH
 (440)269-8155 FAX (440)269-8166

UNLESS OTHERWISE SPECIFIED:
DIMENSIONS ARE IN INCHES [MM]
AND ARE NOMINAL ONLY

PROPRIETARY AND CONFIDENTIAL
 THE INFORMATION CONTAINED IN THIS
 DRAWING IS THE SOLE PROPERTY OF
 MUM INDUSTRIES INC. ANY
 REPRODUCTION IN PART OR AS A WHOLE
 WITHOUT THE WRITTEN PERMISSION OF
 MUM INDUSTRIES INC. IS PROHIBITED.

DRAWN BY: DLA 06.24.2021

DWG. NO.
W121006-4PQ-BT

SIZE	DESCRIPTION:	REV
B	WALL-12X10X06-304-PHN-QTL	C

SCALE: 1:4 WEIGHT: SHEET 2 OF 2

4

3

2

1

A

A