

4

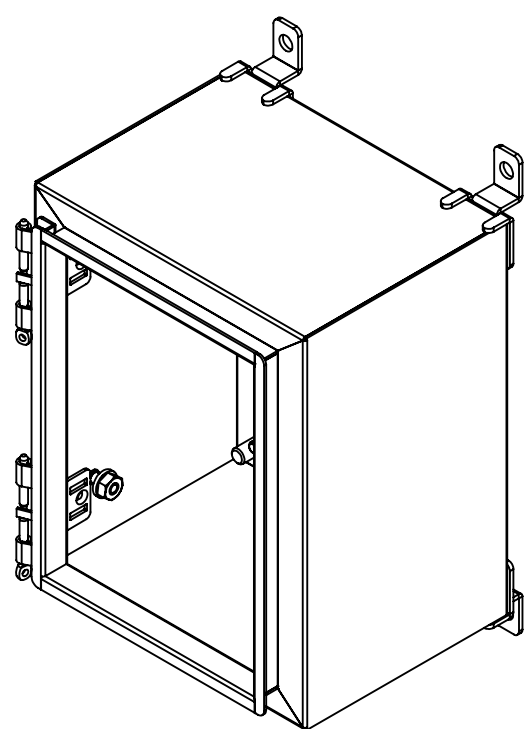
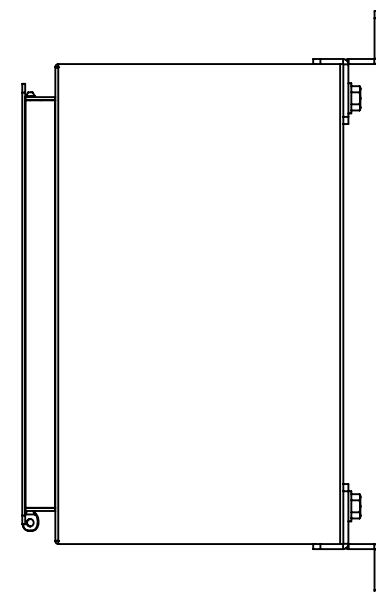
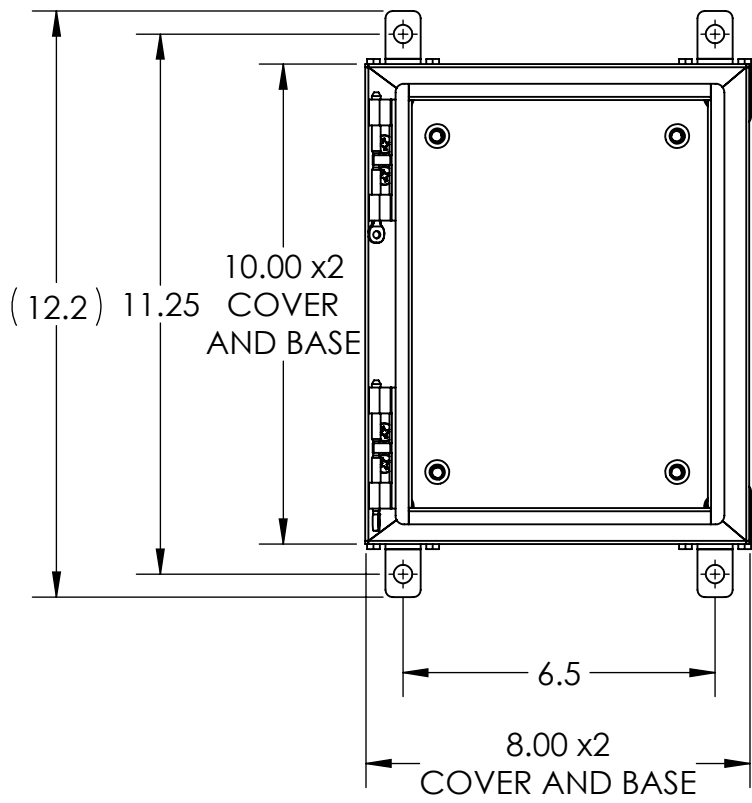
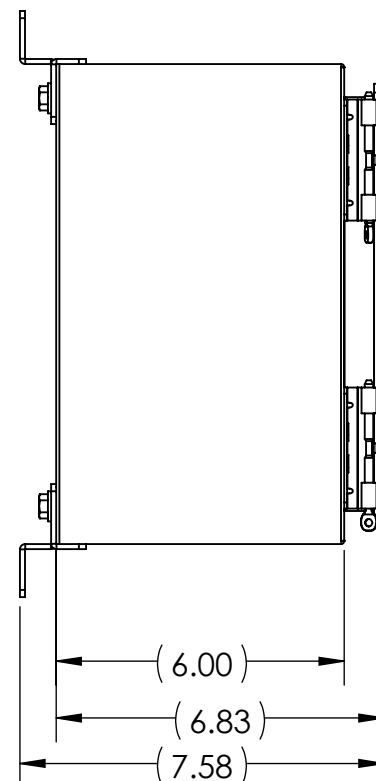
3

2

1

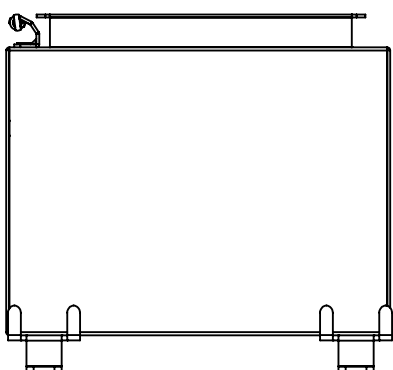
B

B



A

A



- NOTE:  
 1. BASE MATERIAL: 16 Ga. (.060") 304 SS  
 2. COVER MATERIAL: 16 Ga. (.060") 304 SS

**INTEGRA ENCLOSURES**  
 A DIVISION OF MUM INDUSTRIES  
 8989 TYLER BLVD. MENTOR, OH  
 (440)269-8155 FAX (440)269-8166

UNLESS OTHERWISE SPECIFIED: DIMENSIONS ARE IN INCHES [MM] AND ARE NOMINAL ONLY		DWG. NO. <b>W100806-4PQ-BT</b>		
<b>PROPRIETARY AND CONFIDENTIAL</b> THE INFORMATION CONTAINED IN THIS DRAWING IS THE SOLE PROPERTY OF MUM INDUSTRIES INC. ANY REPRODUCTION IN PART OR AS A WHOLE WITHOUT THE WRITTEN PERMISSION OF MUM INDUSTRIES INC. IS PROHIBITED.		SIZE <b>B</b>	DESCRIPTION: WALL-10X08X06-304- PHN-QTL	REV <b>D</b>
DRAWN BY:	JMS	06.25.2021	SCALE: 1:4	WEIGHT:
			SHEET 1 OF 2	

4

3

2

1

4

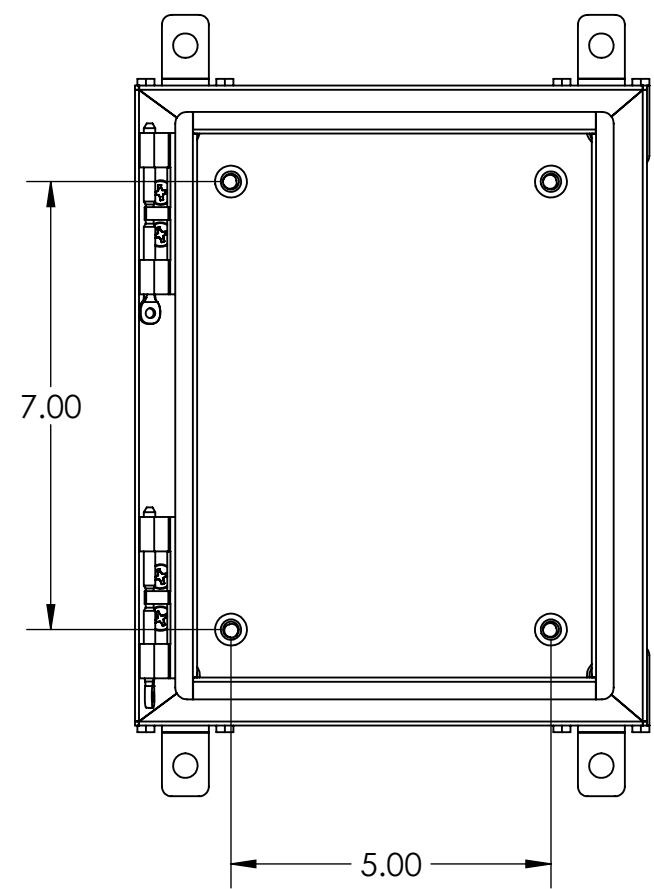
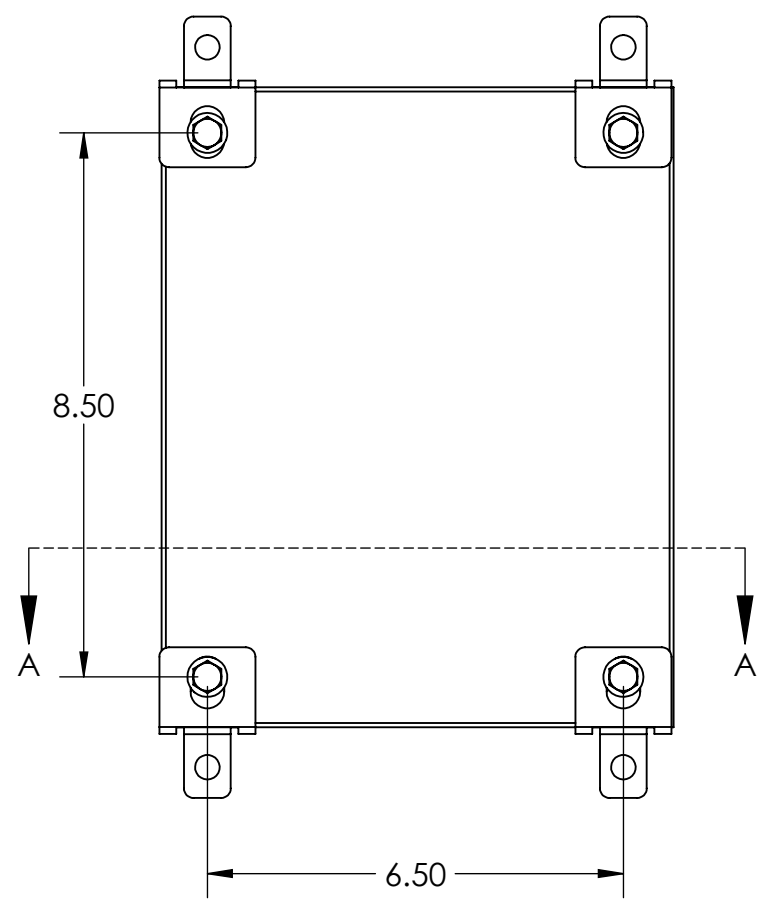
3

2

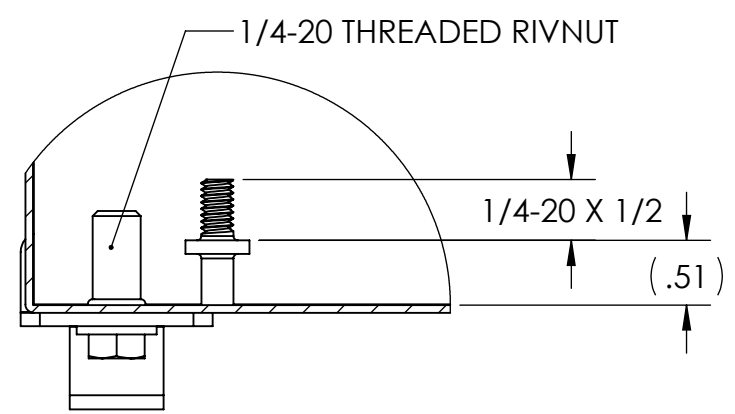
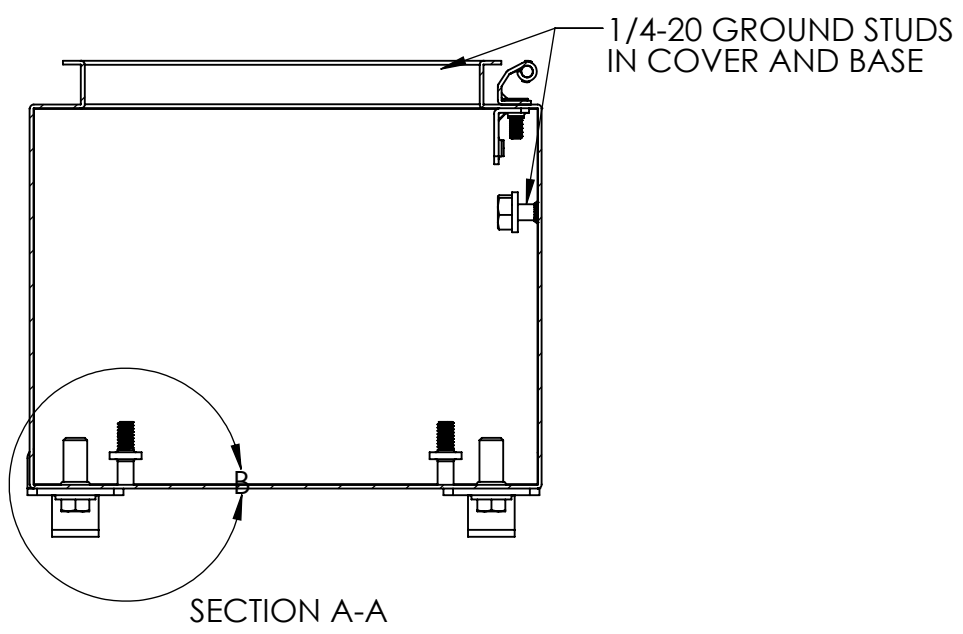
1

B

B



COVER NOT SHOWN FOR CLARITY



DETAIL B x 4  
SCALE 2 : 3

**INTEGRA ENCLOSURES**  
 A DIVISION OF MUM INDUSTRIES  
 8989 TYLER BLVD. MENTOR, OH  
 ENCLOSURES (440)269-8155 FAX (440)269-8166

UNLESS OTHERWISE SPECIFIED: DIMENSIONS ARE IN INCHES [MM] AND ARE NOMINAL ONLY			DWG. NO. <b>W100806-4PQ-BT</b>	
<b>PROPRIETARY AND CONFIDENTIAL</b> THE INFORMATION CONTAINED IN THIS DRAWING IS THE SOLE PROPERTY OF MUM INDUSTRIES INC. ANY REPRODUCTION IN PART OR AS A WHOLE WITHOUT THE WRITTEN PERMISSION OF MUM INDUSTRIES INC. IS PROHIBITED.				
SIZE <b>B</b>	DESCRIPTION: WALL-10X08X06-304- PHN-QTL	REV <b>D</b>	SCALE: 1:3	WEIGHT:
DRAWN BY: JMS	06.25.2021	SHEET 2 OF 2		

4

3

2

1

A

A