

4

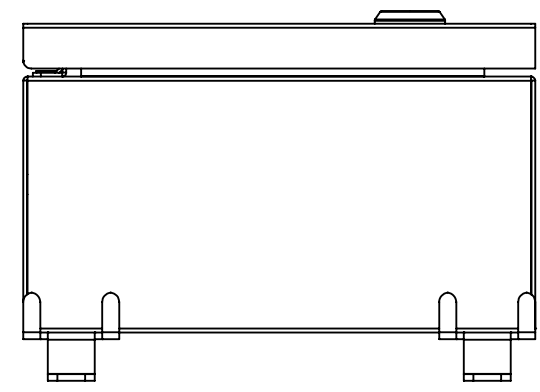
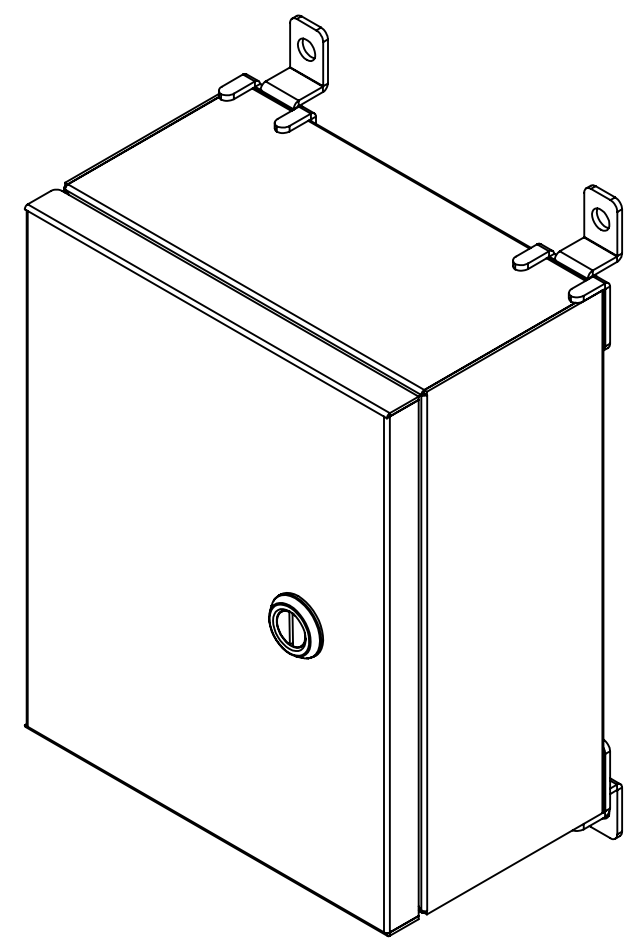
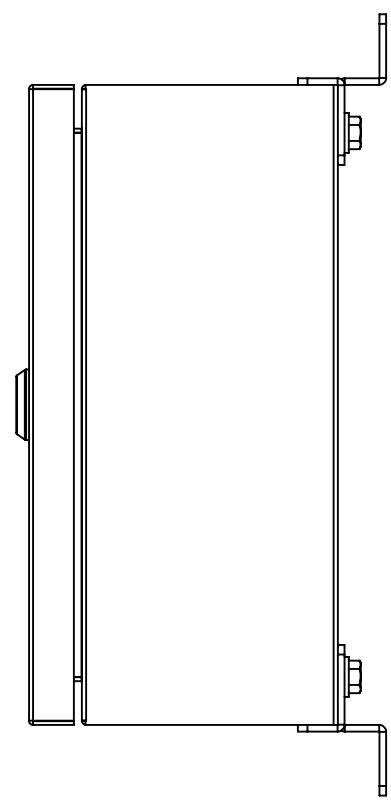
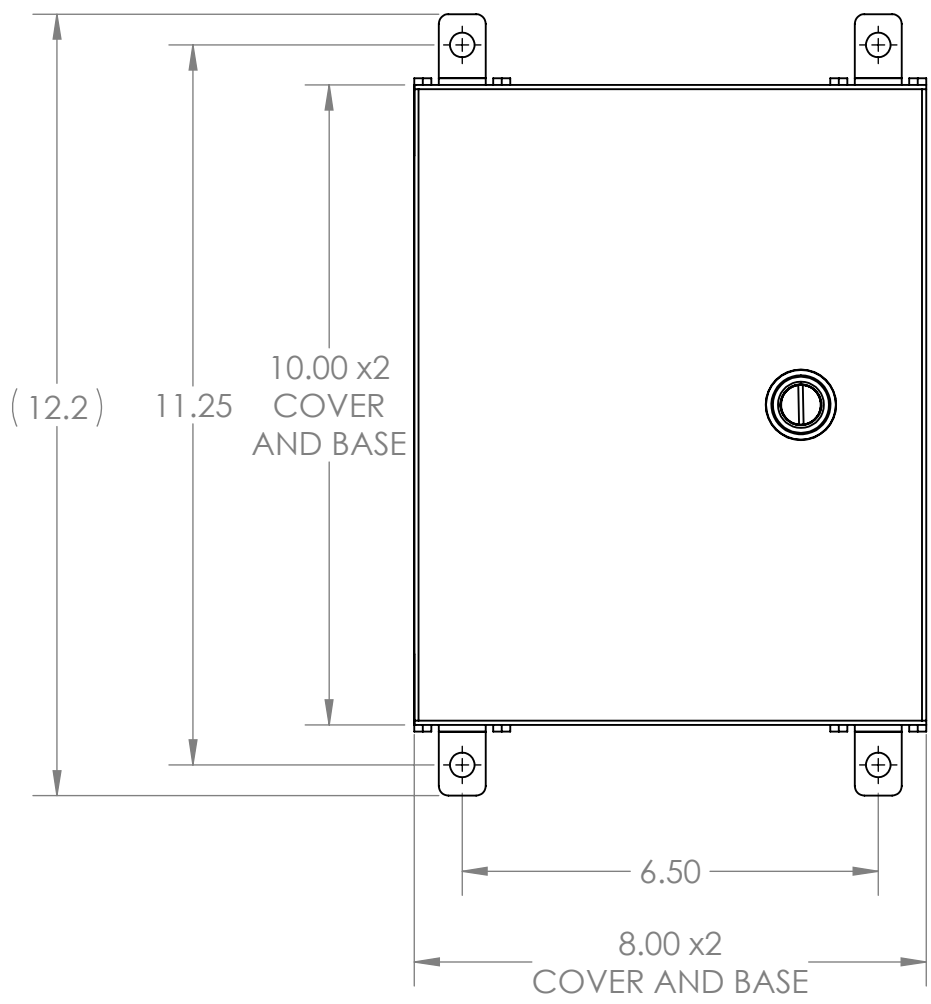
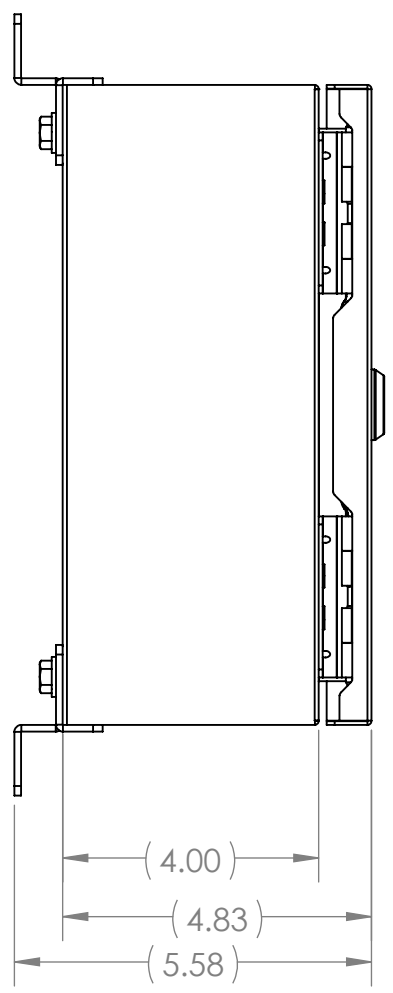
3

2

1

B

B



NOTE:
 1. BASE MATERIAL: 16 Ga. (.060") 304 SS
 2. COVER MATERIAL: 16 Ga. (.060") 304 SS

A

A

4

3

2

1

INTEGRA ENCLOSURES
 A DIVISION OF MUM INDUSTRIES
 8989 TYLER BLVD. MENTOR, OH
 ENCLOSURES (440)269-8155 FAX (440)269-8166

UNLESS OTHERWISE SPECIFIED:
 DIMENSIONS ARE IN INCHES [MM]
 AND ARE NOMINAL ONLY

PROPRIETARY AND CONFIDENTIAL
 THE INFORMATION CONTAINED IN THIS
 DRAWING IS THE SOLE PROPERTY OF
 MUM INDUSTRIES INC. ANY
 REPRODUCTION IN PART OR AS A WHOLE
 WITHOUT THE WRITTEN PERMISSION OF
 MUM INDUSTRIES INC. IS PROHIBITED.

DWG. NO.		
W100804-4PQ-BT		
SIZE	DESCRIPTION:	REV
B	WALL-10X08X04-304- PHN-QTL	C
DRAWN BY:	DLA	06.25.2021
SCALE: 1:3	WEIGHT:	SHEET 1 OF 2

4

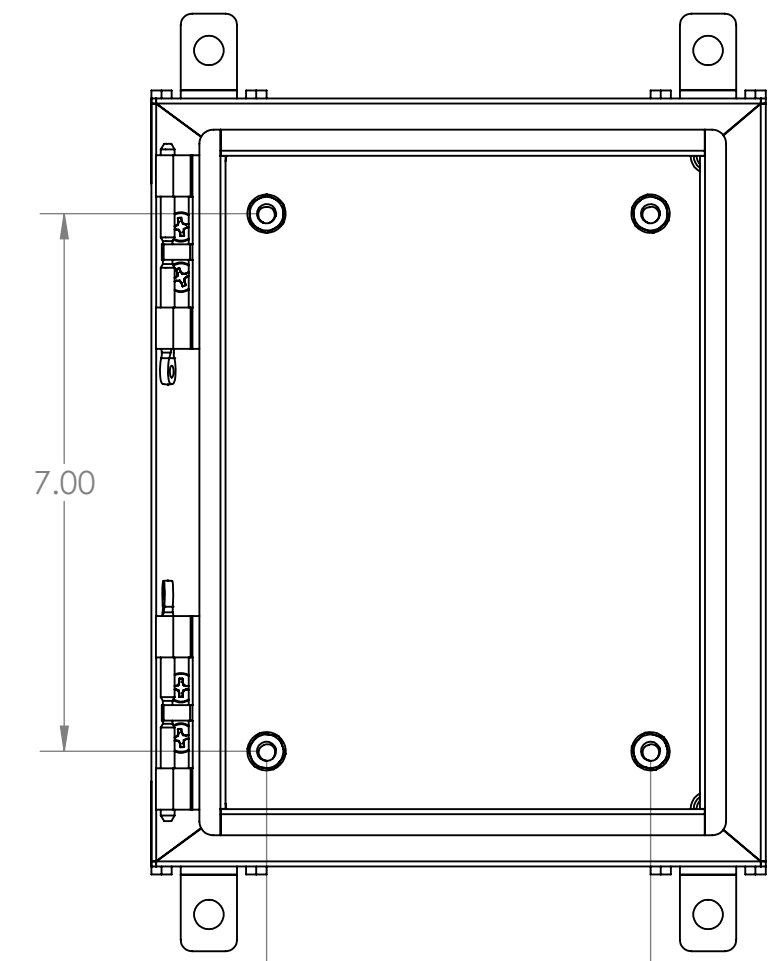
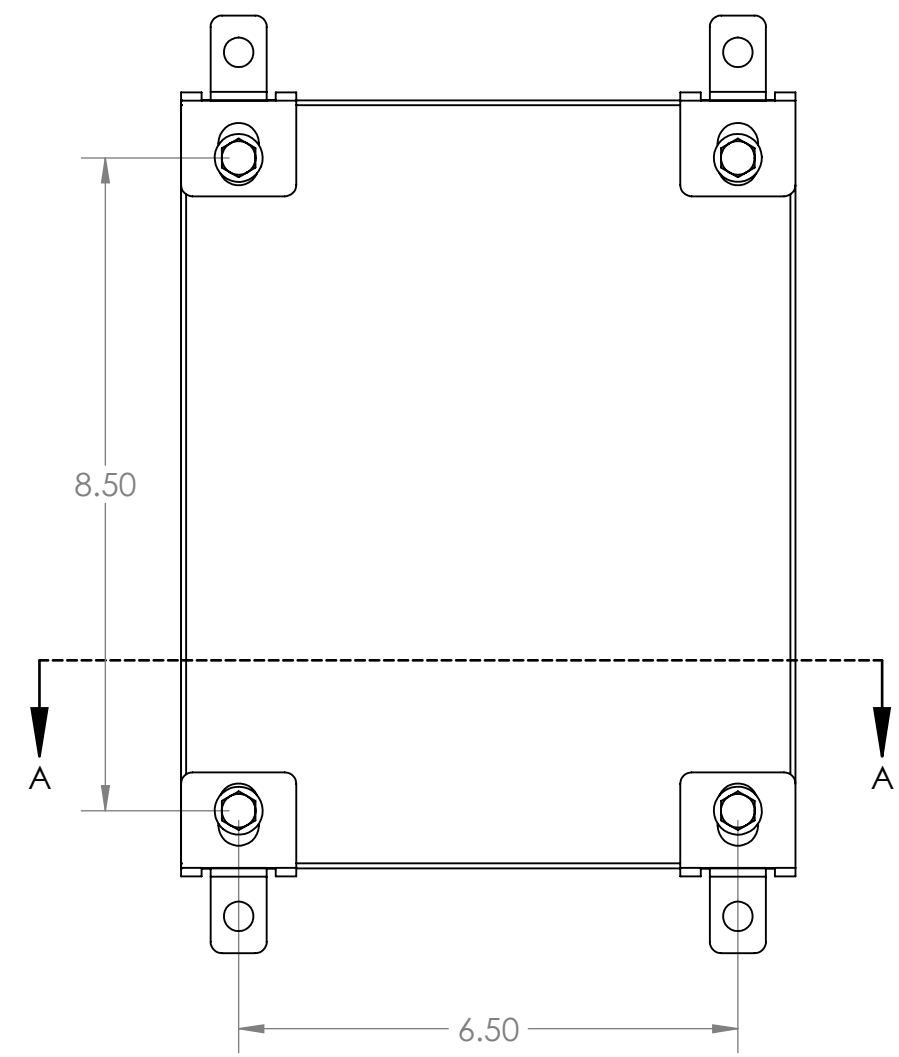
3

2

1

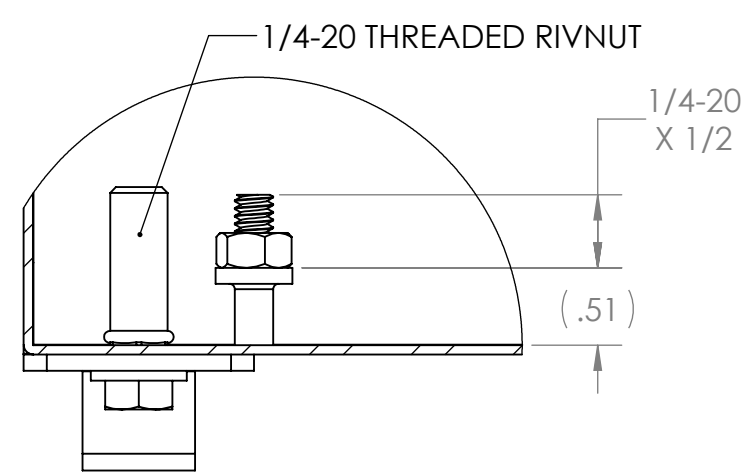
B

B

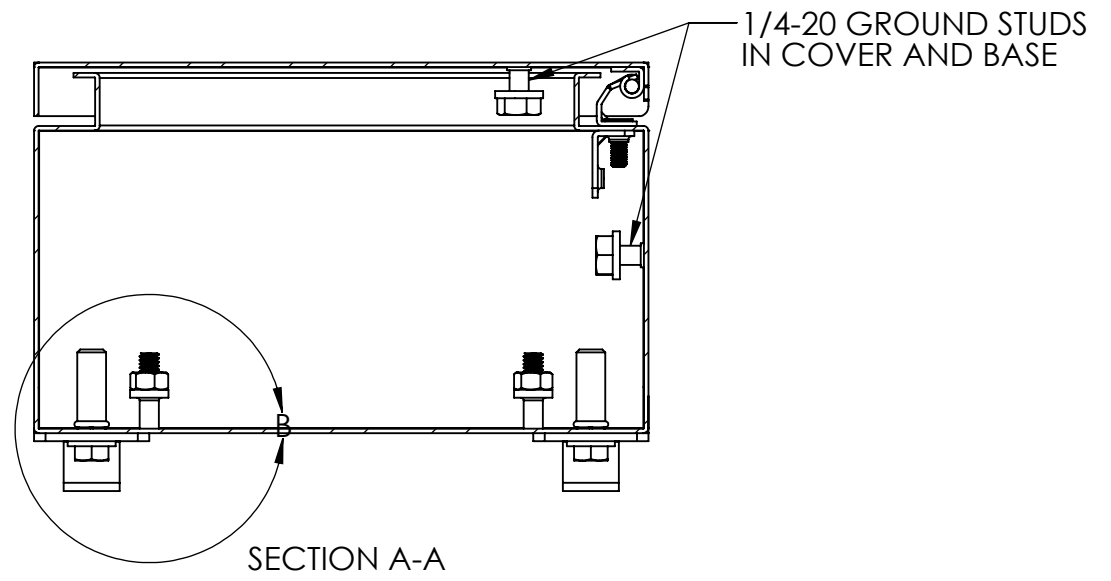


A

A



DETAIL B x 4
SCALE 4 : 5



INTEGRA ENCLOSURES

INTEGRA ENCLOSURES A DIVISION OF MUM INDUSTRIES
8989 TYLER BLVD. MENTOR, OH (440)269-8155 FAX (440)269-8166

UNLESS OTHERWISE SPECIFIED:
DIMENSIONS ARE IN INCHES [MM]
AND ARE NOMINAL ONLY

DWG. NO.
W100804-4PQ-BT

PROPRIETARY AND CONFIDENTIAL
THE INFORMATION CONTAINED IN THIS
DRAWING IS THE SOLE PROPERTY OF
MUM INDUSTRIES INC. ANY
REPRODUCTION IN PART OR AS A WHOLE
WITHOUT THE WRITTEN PERMISSION OF
MUM INDUSTRIES INC. IS PROHIBITED.

SIZE	DESCRIPTION:	REV
B	WALL-10X08X04-304-PHN-QTL	C

DRAWN BY: DLA 06.25.2021

SCALE: 2:5 WEIGHT: SHEET 2 OF 2

4

3

2

1