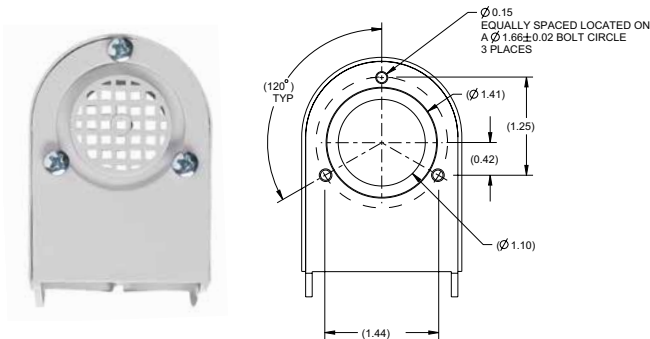




## KEEP YOUR ELECTRONICS COOL WITH INTEGRA'S VENT & FAN KITS

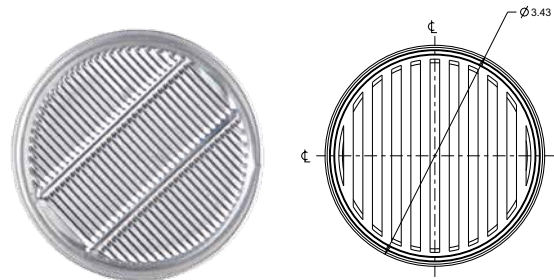
### VENT-2

Part Number	Description
VENT-2	Outdoor Vent - Labyrinth, non-metallic vent



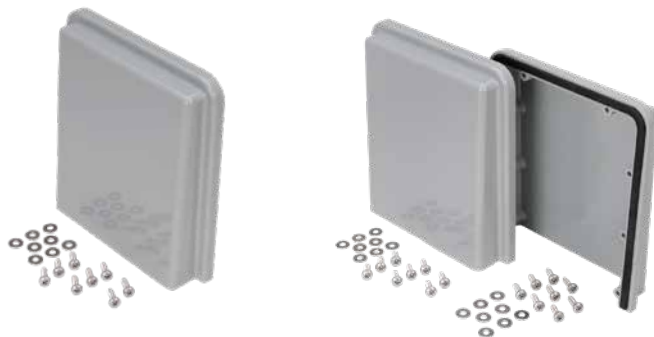
### VENT-3

Part Number	Description
VENT-3	Aluminum Vent - Louvered



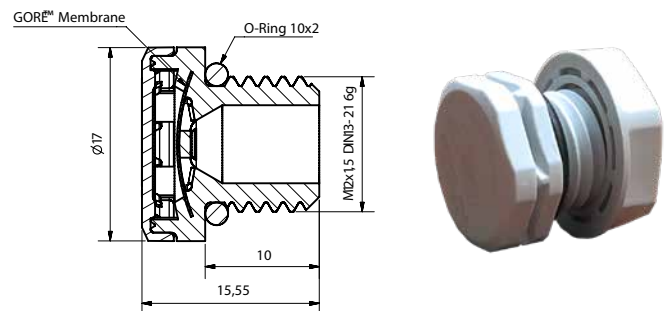
### Fan Shroud Kits

Part Number	Description
FS-KIT-1	Fan Shroud Kit - one piece (includes Gasket & Hardware)
FS-KIT-2	Fan Shroud Kit - two pieces (includes Gasket & Hardware)



### Gore Vents

Part Number	Description
VENT-POLY-GRY	Gore Vent Kit - Gray





# VENTS & FAN SHROUDS

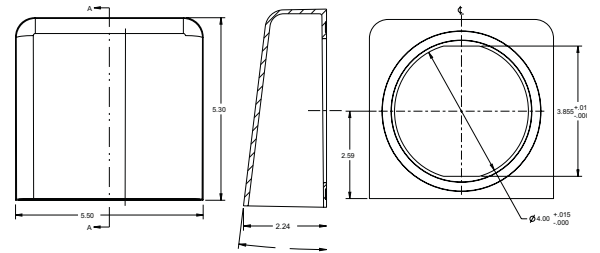
## Fan Shroud Vent Filter Kits

- Designed to keep the elements out of your enclosure while allowing the free air movement from your filtered fan packages.
- Shrouds are sized to fit neatly over your openings and fans.
- Includes fully gasketed seal between filter fan and box
- Kits include template and all mounting hardware
- High impact and UV resistant polycarbonate
- Maintains NEMA Type 3R rating



## Shroud Vent Filter Kits

Part Number	Description
FSPK1-G	Fan Shroud Vent Filter Gray - one piece
FSPK2-G	Fan Shroud Vent Filter Kit Gray - two pieces



FOR ADDITIONAL COOLING, MAKE YOUR FILTER FAN A **FORCED AIR SOLUTION**

## Forced Air Fan Kits

Part Number	Voltage	CFM	Fan Depth (in)
KIT-FAN-120VAC-30	120 VAC	Low CFM (30)	1.0
KIT-FAN-120VAC-84	120 VAC	High CFM (84)	1.5
KIT-FAN-12VDC-49	12 VDC	Low CFM (49)	1.0
KIT-FAN-12VDC-135	12 VDC	High CFM (135)	1.5
KIT-FAN-24VDC-49	24 VDC	Low CFM (49)	1.0
KIT-FAN-24VDC-135	24 VDC	High CFM (135)	1.5
KIT-FAN-48VDC-50	48 VDC	Low CFM (50)	1.0
KIT-FAN-48VDC-135	48 VDC	High CFM (135)	1.5

