

4

3

2

1

PART NO.	SIZE	A	B	C	D
PNLB66PS-115	6X6	4.25	4.25	4.88	4.88
PNLB86PS-115	8X6	4.25	6.25	4.88	6.88
PNLB88PS-115	8X8	6.25	6.25	6.88	6.88
PNLB108PS-115	10X8	6.25	8.25	6.88	8.88
PNLB1082PS-115	10X8X2	5.46	7.92	6.80	8.75
PNLB1210PS-115	12X10	8.25	10.25	8.88	10.88
PNLB1412PS-115	14X12	10.25	12.25	10.88	12.88
PNLB1614PS-115	16X14	12.25	14.25	12.88	14.88
PNLB1816PS-115	18X16	14.25	16.25	14.88	16.88

D

D

C

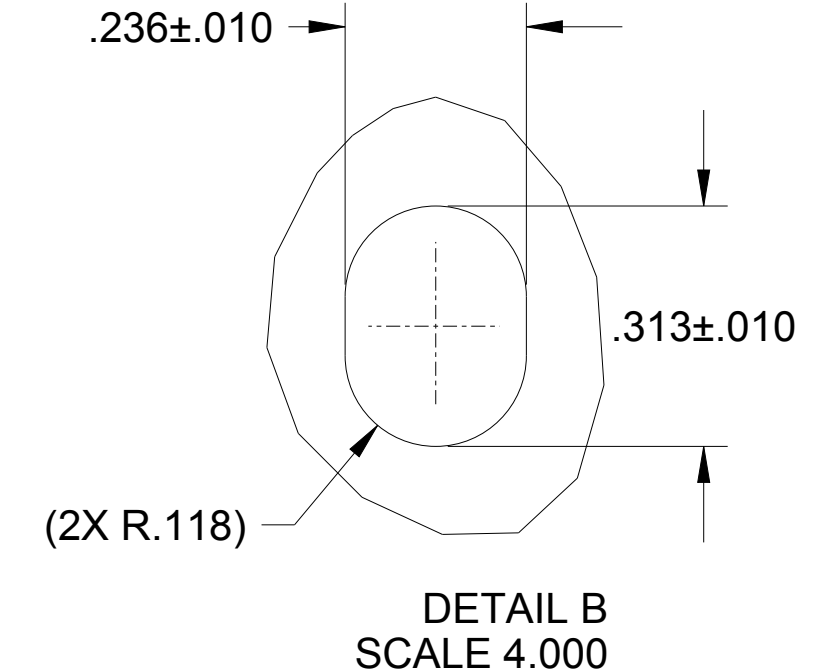
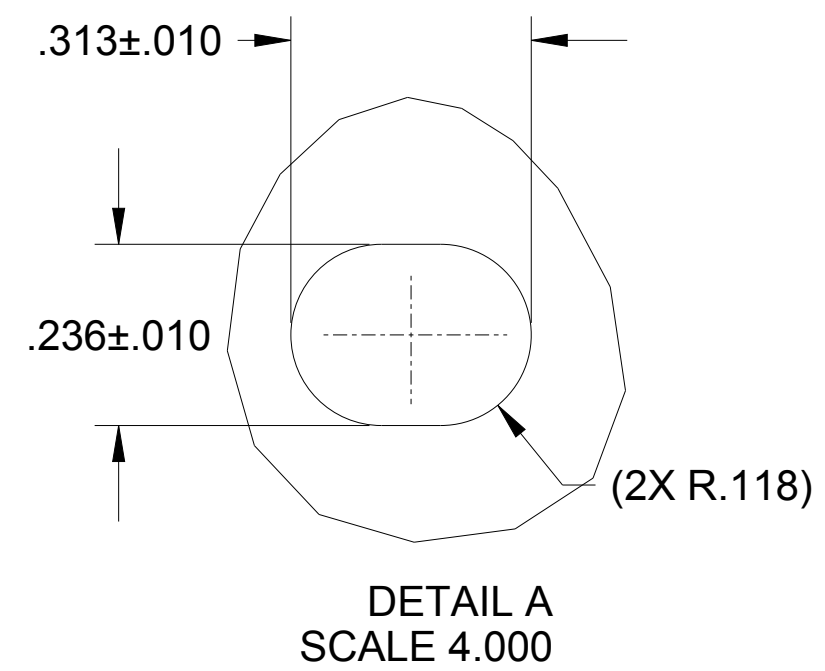
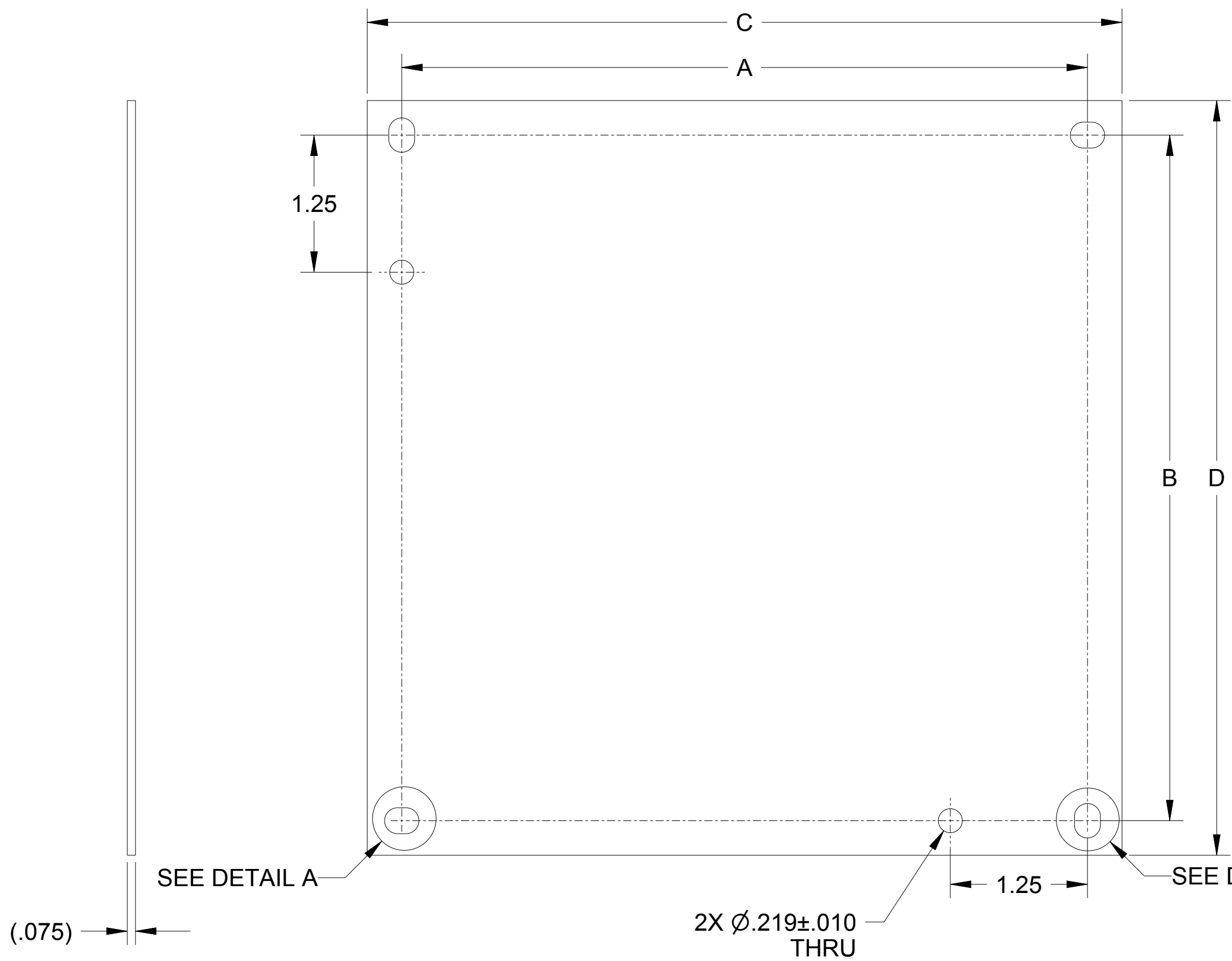
C

B

B

A

A



- NOTES:
 1. 14 Ga. STEEL
 2. FINISH: POWDER COATED WHITE
 3. DIMENSIONS APPLY AFTER POWDER COAT

		MUM INDUSTRIES 8989 TYLER BLVD MENTOR, OHIO, U.S.A. (440) 269-8155 FAX (440) 269-8166	
SCALE 1.000	SHEET	DRAWN BY M. CONSTABLE	
TITLE GENERIC STEEL BACK PANEL			
DATE	DRAWING NUMBER PNLBXXXXPS-115	REV A	

UNLESS OTHERWISE SPECIFIED:
 DIMENSIONS ARE IN INCHES (mm)
 AND ARE NOMINAL ONLY

PROPRIETARY AND CONFIDENTIAL:
 THE INFORMATION CONTAINED IN THIS
 DRAWING IS THE SOLE PROPERTY OF
 INTEGRA ENCLOSURES. ANY
 REPRODUCTION IN PART OR AS A
 WHOLE WITHOUT THE WRITTEN
 PERMISSION OF INTEGRA
 ENCLOSURES IS PROHIBITED.

4

3

2

1