

4

3

2

1

D

D

C

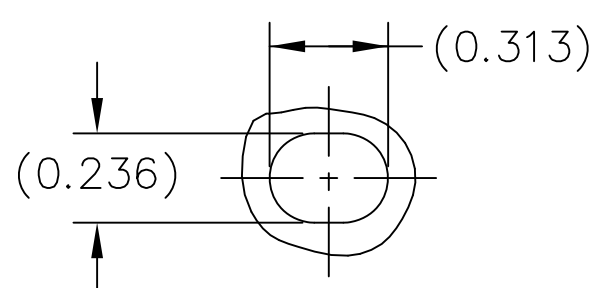
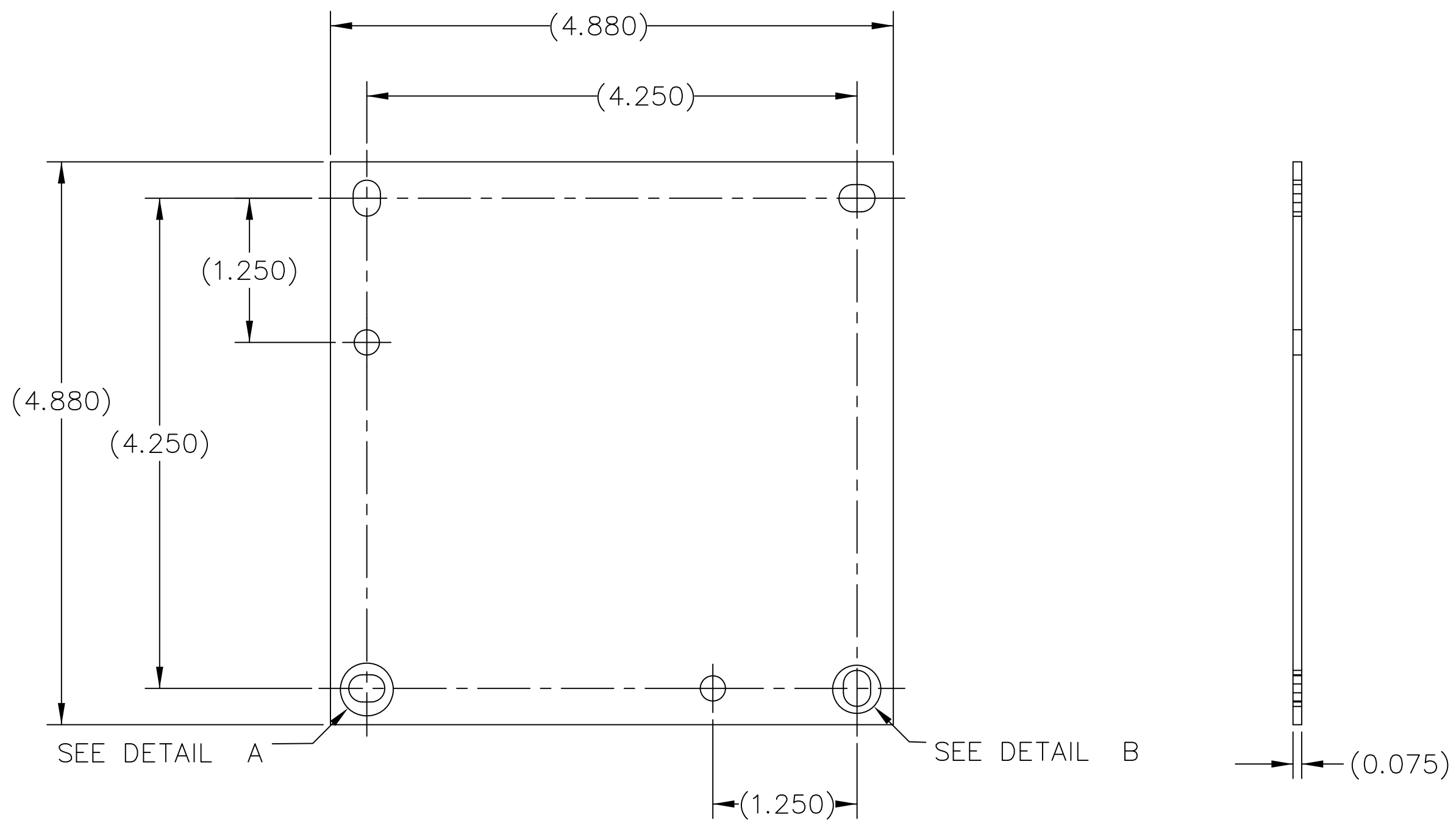
C

B

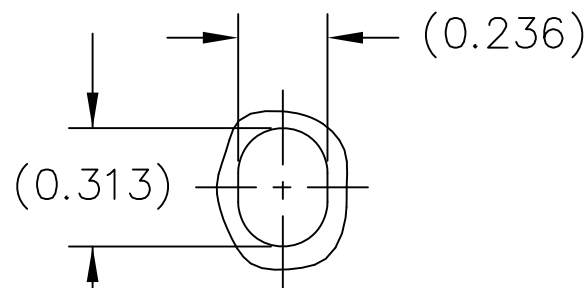
B

A

A



DETAIL A
SCALE 2.000



DETAIL B
SCALE 2.000

- NOTES:
 1. MATERIAL: 14 GAUGE STEEL
 2. FINISH: POWDER COAT WHITE
 3. DIMENSIONS APPLY AFTER POWDER COAT

							MUM INDUSTRIES 8989 TYLER BLVD MENTOR, OHIO, U.S.A. (440) 269-8155 (440) 269-8166 FAX	
					DEFAULT TOLERANCES .XX ±0.03 .XXX ±0.010	SCALE 1.000	SHEET 1 of 1	DRAWN BY T.STOKES
					FRACTIONAL ± 1/16	TITLE PANEL-BACK-6X6-PS		
					ANGULAR ±5°	DATE 5-1-19	DRAWING NUMBER PNLB66PS-115	REV A
A	INITIAL RELEASE	TLS	5-1-19	2019-058				
REV	DESCRIPTION	BY	DATE	ECN NO.				

4

3

2

1