

4

3

2

1

PART NO.	SIZE	A	B	C	D
PNLB66PV-104	6X6	4.25	4.25	4.88	4.88
PNLB86PV-104	8X6	4.25	6.25	4.88	6.75
PNLB88PV-104	8X8	6.25	6.25	6.75	6.88
PNLB108PV-104	10X8	6.25	8.25	6.88	8.75
PNLB1082PV-104	10X8X2	5.46	7.92	6.80	8.75
PNLB1210PV-104	12X10	8.24	10.24	8.88	10.75
PNLB1412PV-104	14X12	10.25	12.25	10.88	12.75
PNLB1614PV-104	16X14	12.25	14.25	12.88	14.75
PNLB1816PV-104	18X16	14.25	16.25	14.88	16.75

D

D

C

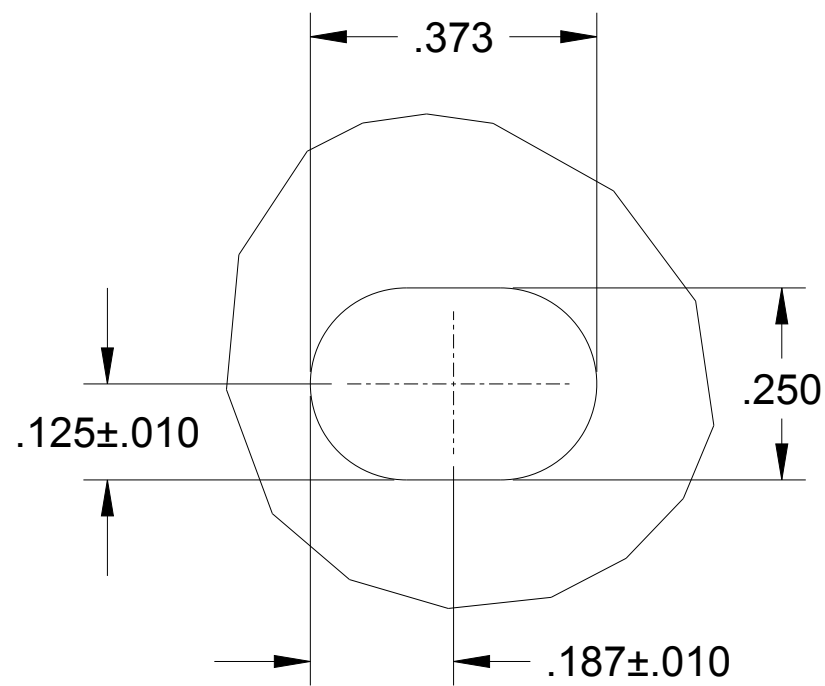
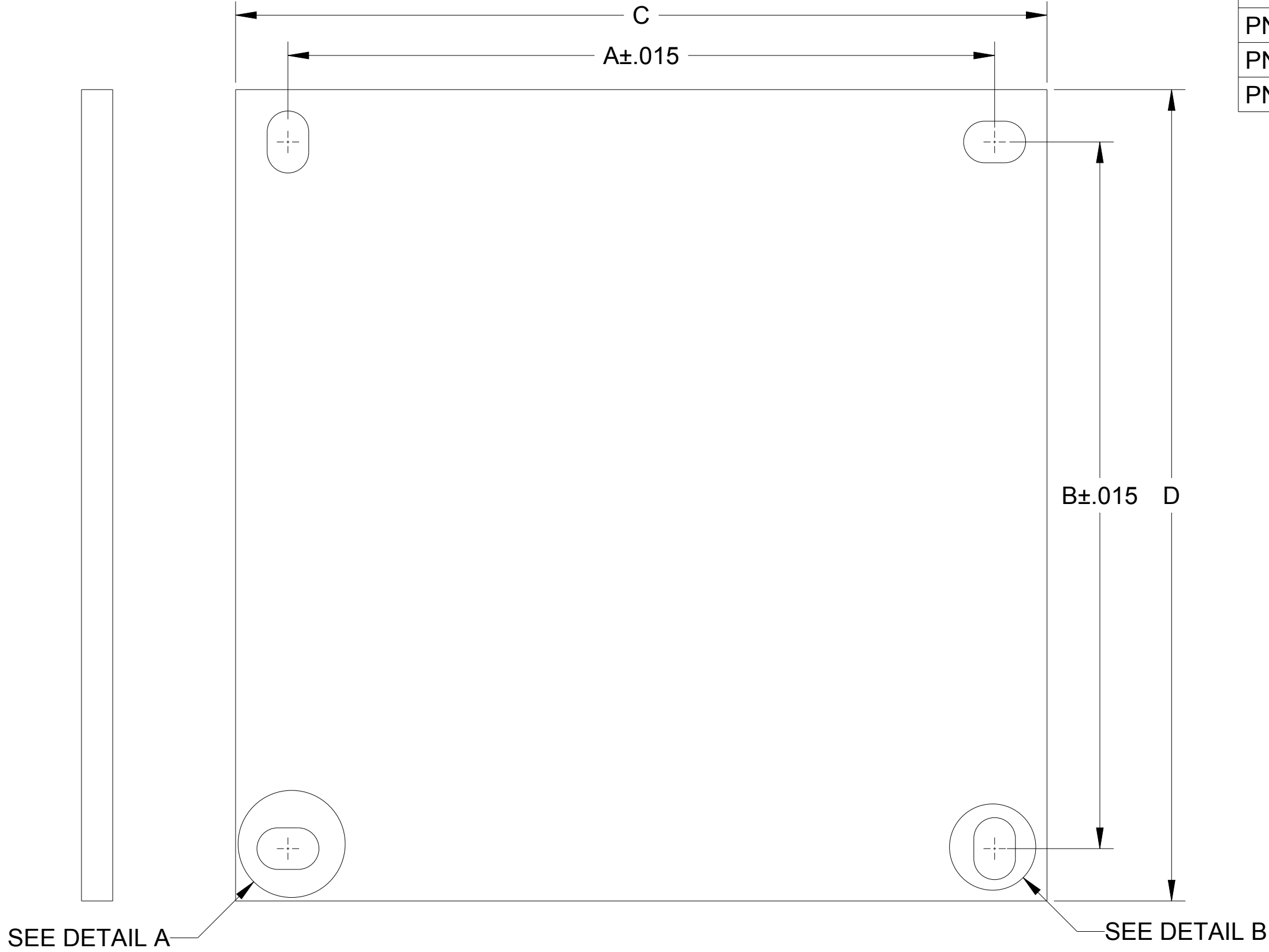
C

B

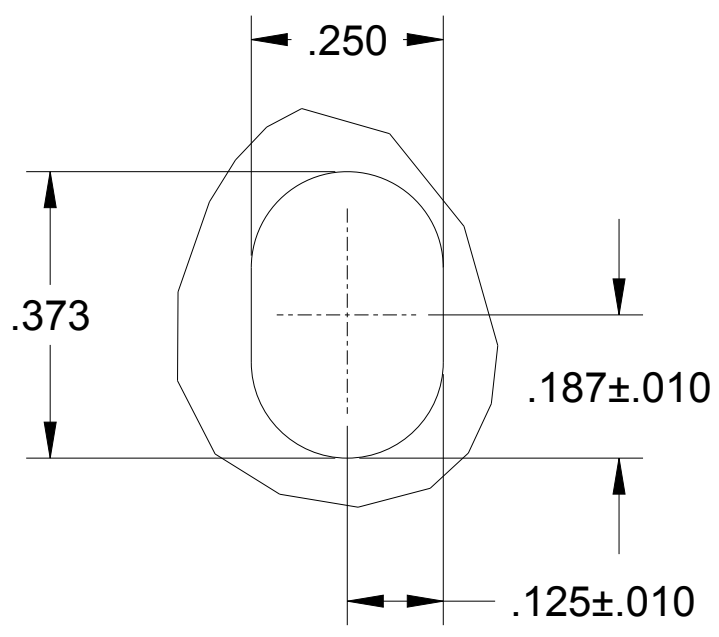
B

A

A



DETAIL A
SCALE 4.000



DETAIL B
SCALE 4.000

- NOTES:
- *DRAWING EXCLUDES PNLB44PV-104, PNLB55PV-104, PNLB64PV-104, PNLB2016PV-104 AND PNLB2424PV-104.
 - MATERIAL: PVC, GRAY, 3/16 THICK
 - FINISH: SMOOTH
 - DEBURR ALL SLOTS AND SMOOTH SHARP EDGES.

UNLESS OTHERWISE SPECIFIED, DIMENSIONS ARE IN INCHES (mm) AND ARE NOMINAL ONLY.

PROPRIETARY AND CONFIDENTIAL. THE INFORMATION CONTAINED IN THIS DRAWING IS THE SOLE PROPERTY OF INTEGRA ENCLOSURES. ANY REPRODUCTION IN PART OR AS A WHOLE WITHOUT THE WRITTEN PERMISSION OF INTEGRA ENCLOSURES IS PROHIBITED.

		MUM INDUSTRIES 8989 TYLER BLVD MENTOR, OHIO, U.S.A. (440) 269-8155 FAX (440) 269-8166	
SCALE 1.500	SHEET 1 OF 1	DRAWN BY M. CONSTABLE	
TITLE GENERIC BACK PANEL PVC*			
DATE 11.11.2021	DRAWING NUMBER PNLBXXXXPV-104	REV A	

4

3

2

1