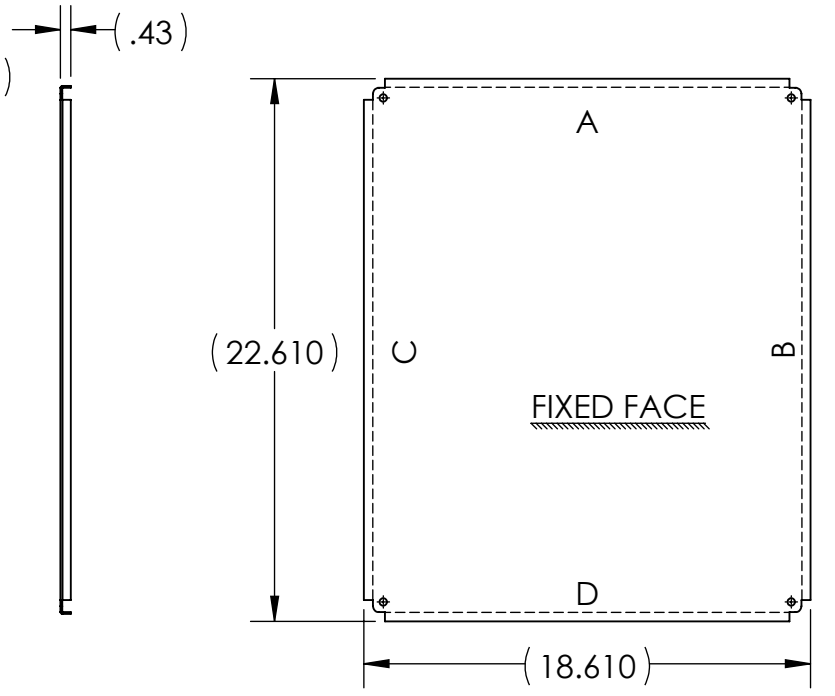
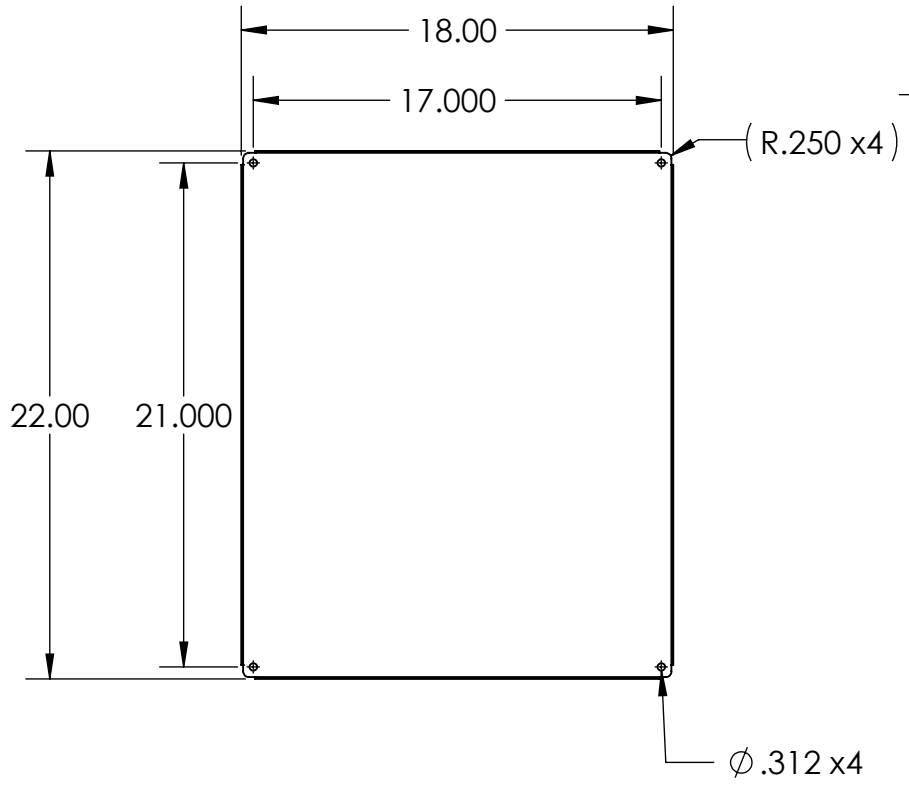


Tag	Direction
A	DOWN
B	DOWN
C	DOWN
D	DOWN



PANEL MATERIAL: 14 GA. (.075") GALVANNEAL

INTEGRA ENCLOSURES
 A DIVISION OF MUM INDUSTRIES
 8989 TYLER BLVD. MENTOR, OH
 (440)269-8155 FAX (440)269-8166

UNLESS OTHERWISE SPECIFIED: DIMENSIONS ARE IN INCHES [MM] AND ARE NOMINAL ONLY		DWG. NO.			
		PNLB2420GVN			
PROPRIETARY AND CONFIDENTIAL THE INFORMATION CONTAINED IN THIS DRAWING IS THE SOLE PROPERTY OF MUM INDUSTRIES INC. ANY REPRODUCTION IN PART OR AS A WHOLE WITHOUT THE WRITTEN PERMISSION OF MUM INDUSTRIES INC. IS PROHIBITED.		SIZE	DESCRIPTION:	REV	
		A	PANEL-BACK-24X20- GALV STEEL	C	
DRAWN BY:	ZNT	06.14.2021	SCALE: 1:8	WEIGHT:	SHEET 1 OF 1