



Vent 2 Instruction Sheet:

See Figure A
Recommended Hole Pattern for Vent 2

See Figure B
Included is one of the following:
Vent #(VENT2)
Large Flat Seal

Included are three ea. of the following:
Screw,#8 x .50 Lg. Thread cutter
Small Seal Washer #8

Place large Seal in Vent2 groove outside of Housing.
Position Vent over mounting Hole pattern as shown. On the inside of the Base, place the Seal Washers over the mounting holes and secure tightly using #8 Screws (3X). (Torque limits 3 inch lbs.)

Integra Enclosures

8989 Tyler Blvd.
Mentor, OH 44060
440-269-8155 / fax 440-269-8166
www.integraenclosures.com
INS-SHT-VENT2 Rev B

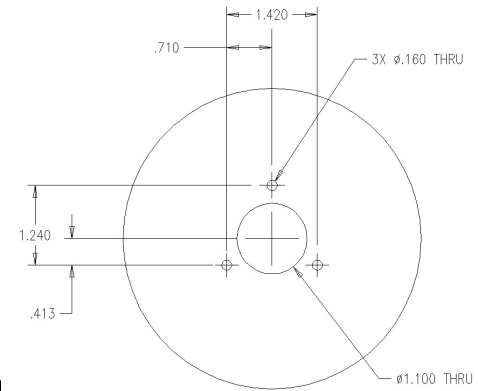


FIGURE A

SUGGESTED HOLE PATTERN

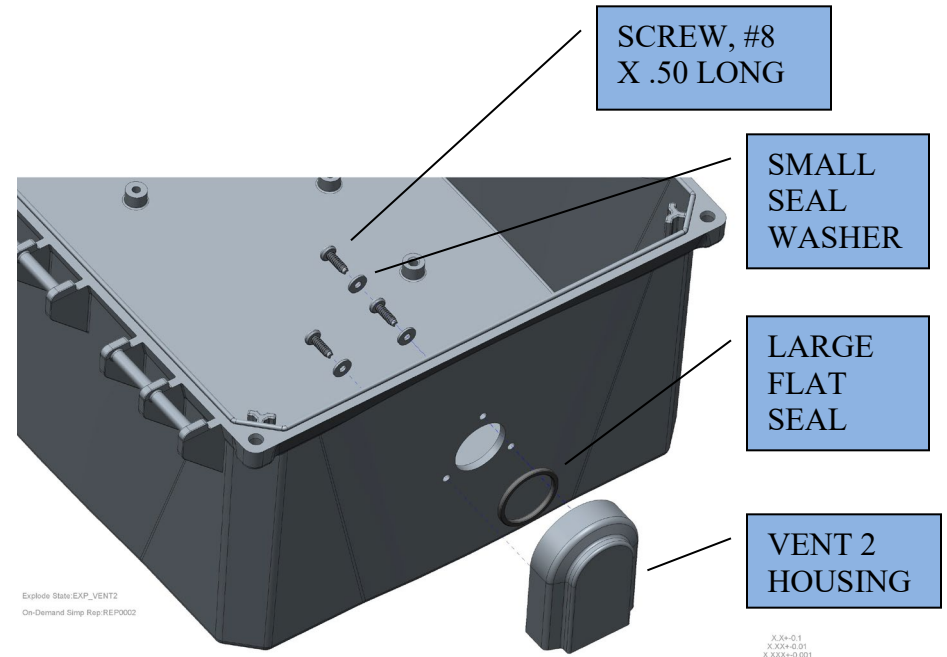


FIGURE B

Exhibits State EXP_VENT2
On-Demand Simp Rep: REP0002

X.XX+0.1
X.XXX+0.01
X.XXXX+0.001
ANG+0.0