

4

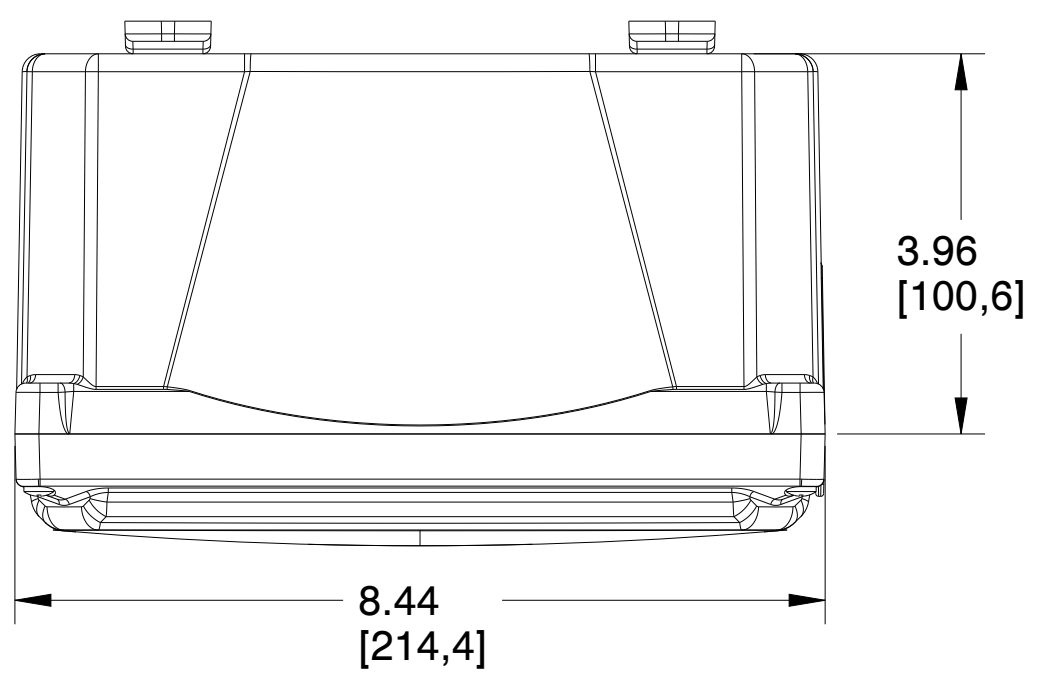
3

2

1

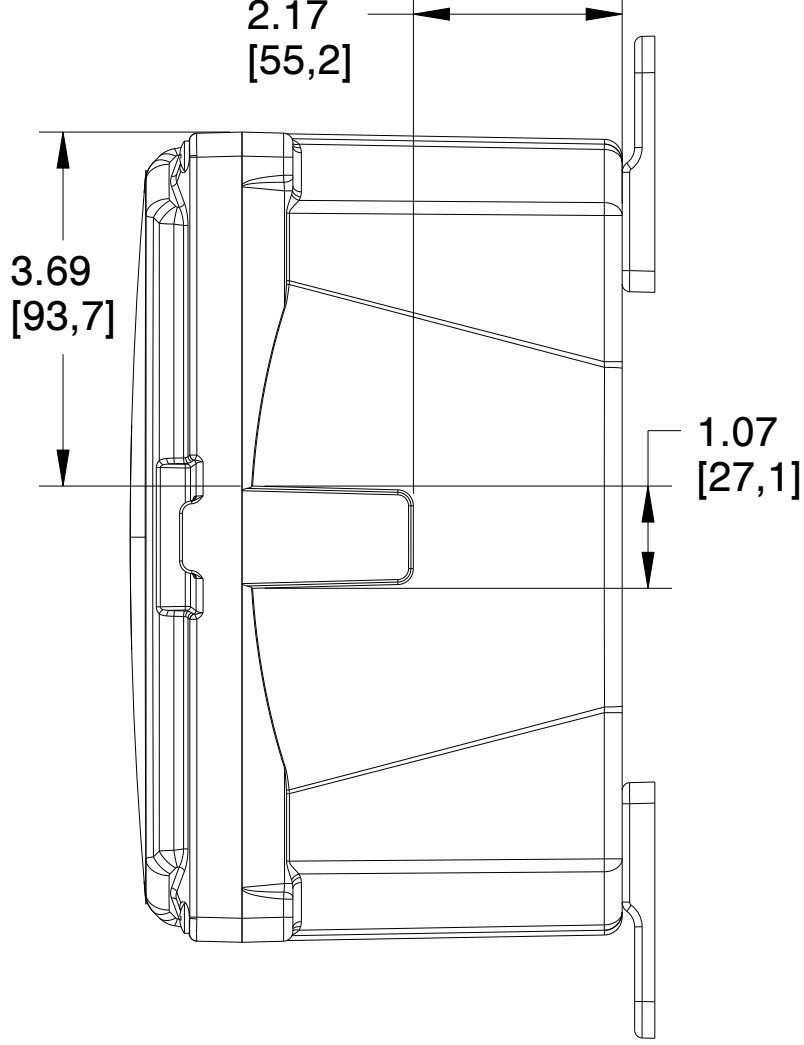
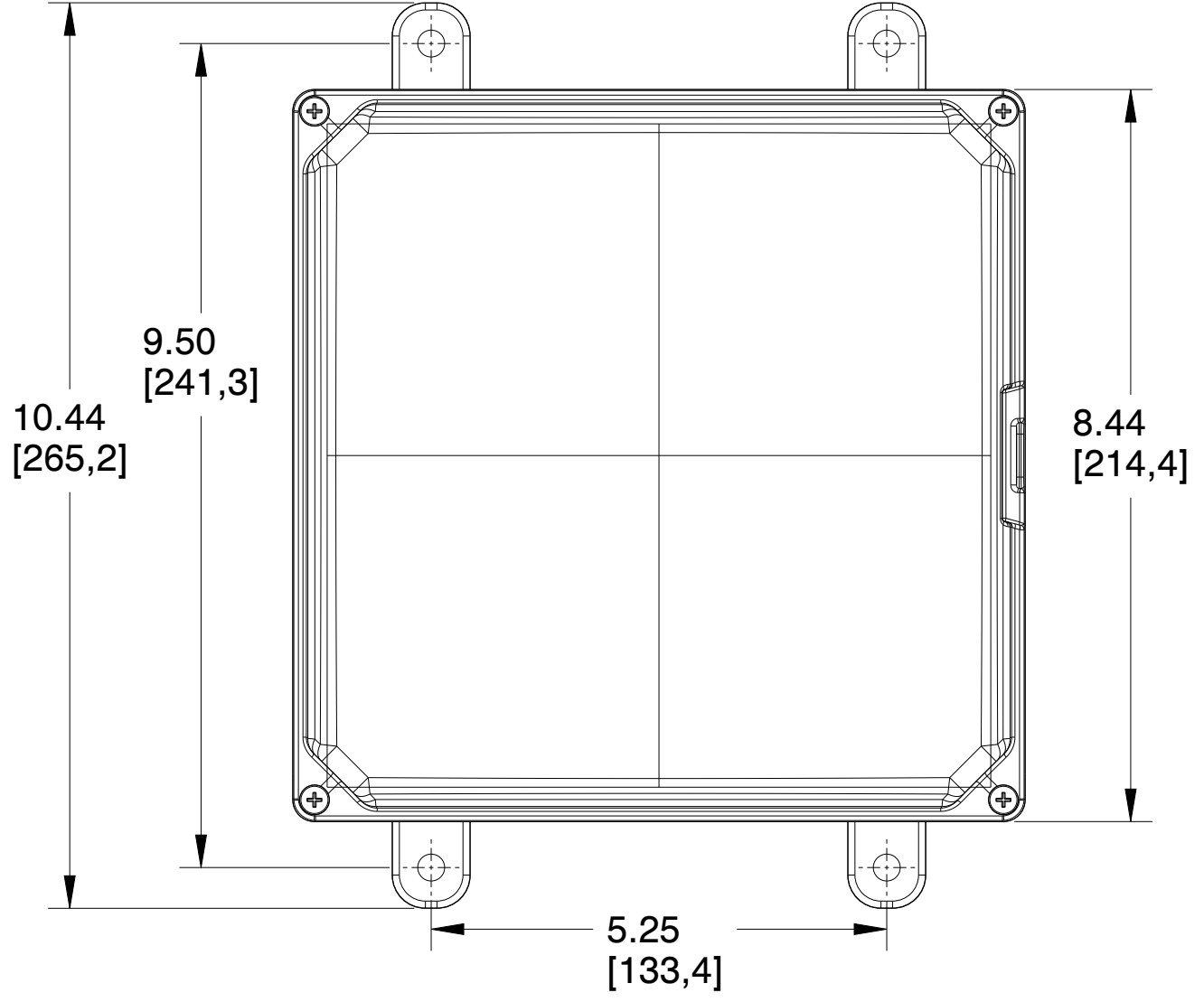
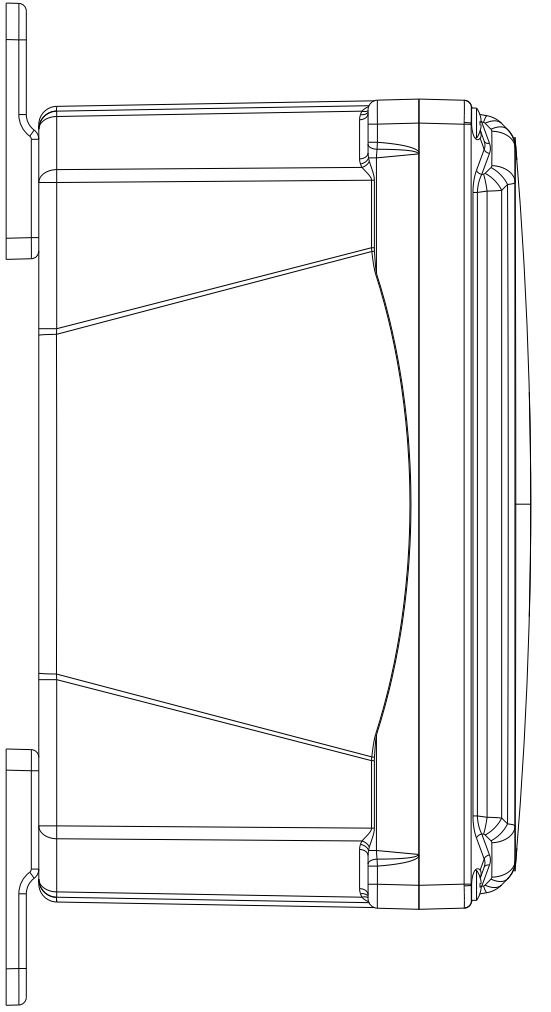
D

D



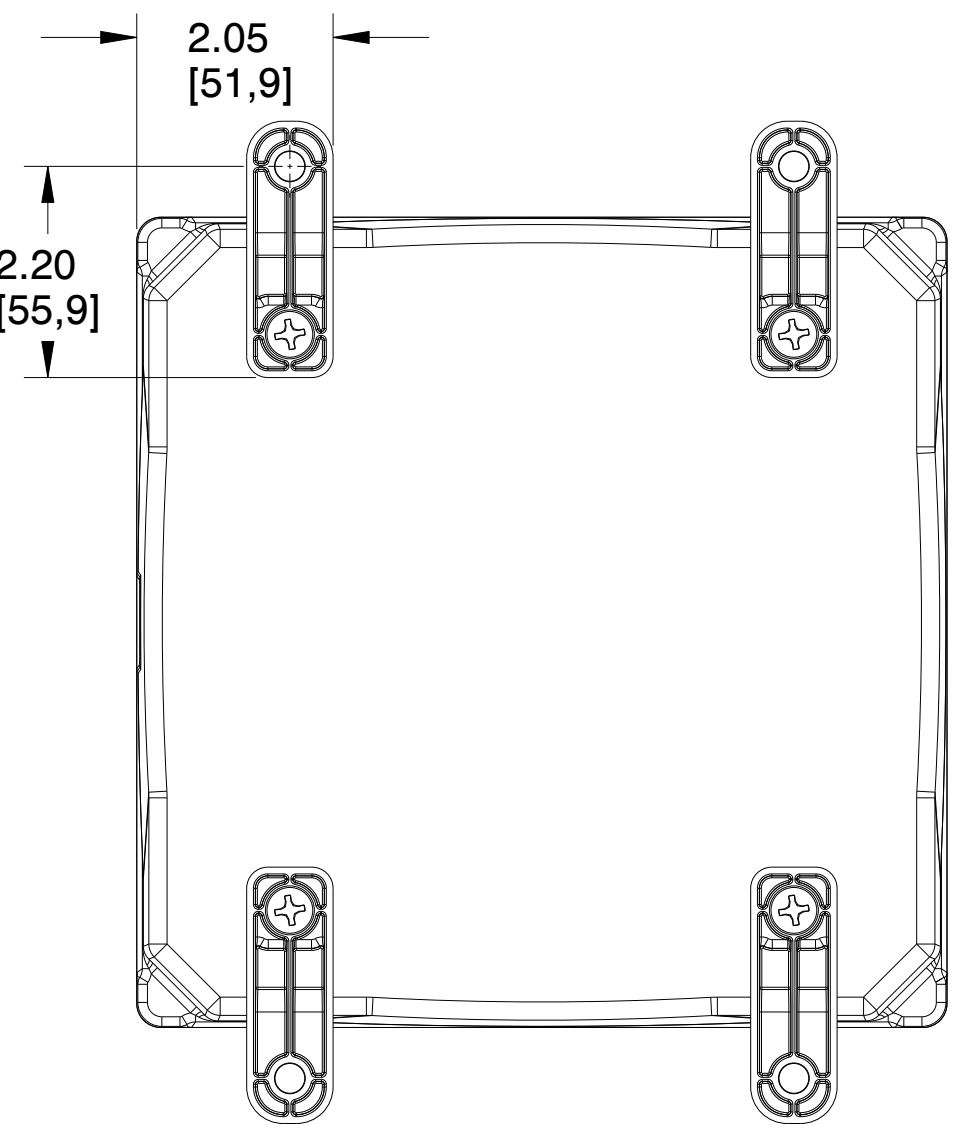
C

C



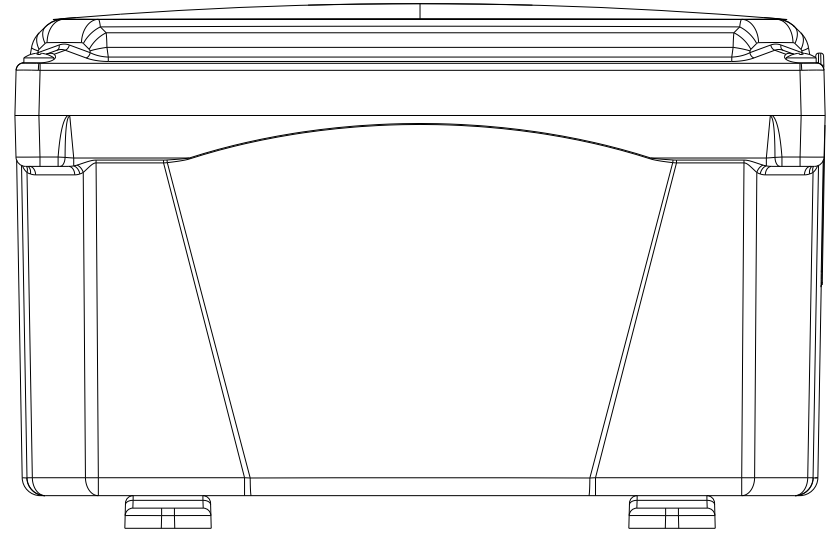
B

B



A

A



4

3

2

1

		MUM INDUSTRIES 8989 TYLER BLVD MENTOR, OHIO, U.S.A. (440) 269-8155 FAX (440) 269-8166	
SCALE 0.500	SHEET 1 of 2	DRAWN BY T.PAUL	
TITLE PREM-8X8X4-SCR			
DATE 07.16.2021	DRAWING NUMBER H8084S	REV A	

UNLESS OTHERWISE SPECIFIED:  
DIMENSIONS ARE IN INCHES (mm)  
AND ARE NOMINAL ONLY

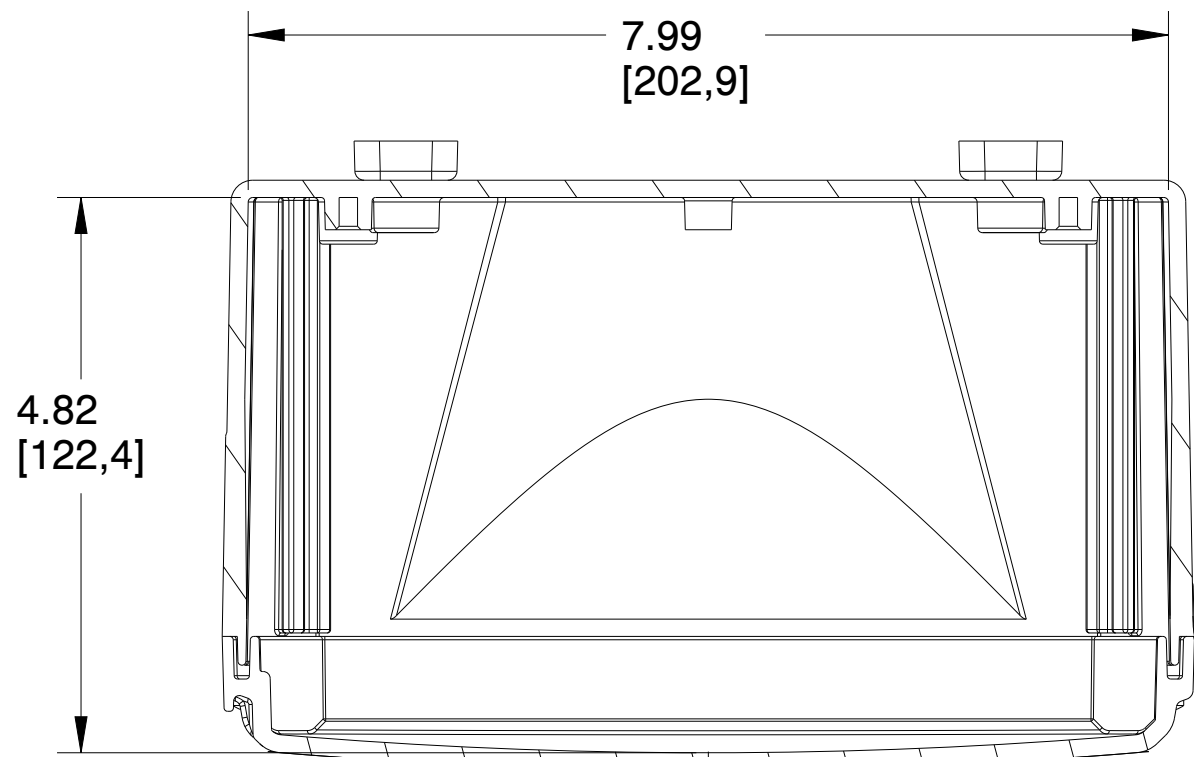
PROPRIETARY AND CONFIDENTIAL:  
THE INFORMATION CONTAINED IN THIS  
DRAWING IS THE SOLE PROPERTY OF  
INTEGRA ENCLOSURES. ANY  
REPRODUCTION IN PART OR AS A  
WHOLE WITHOUT THE WRITTEN  
PERMISSION OF INTEGRA  
ENCLOSURES IS PROHIBITED.

4

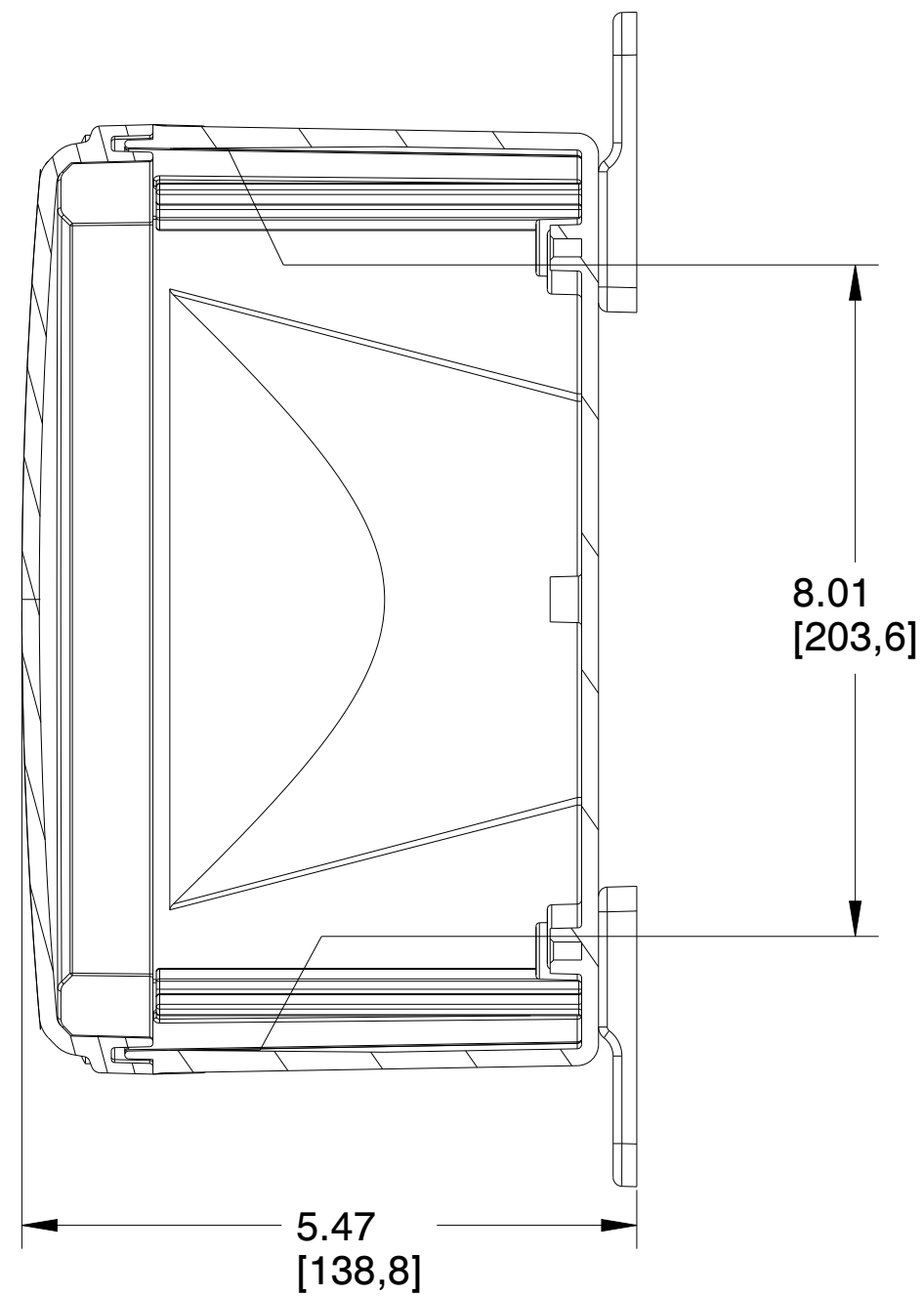
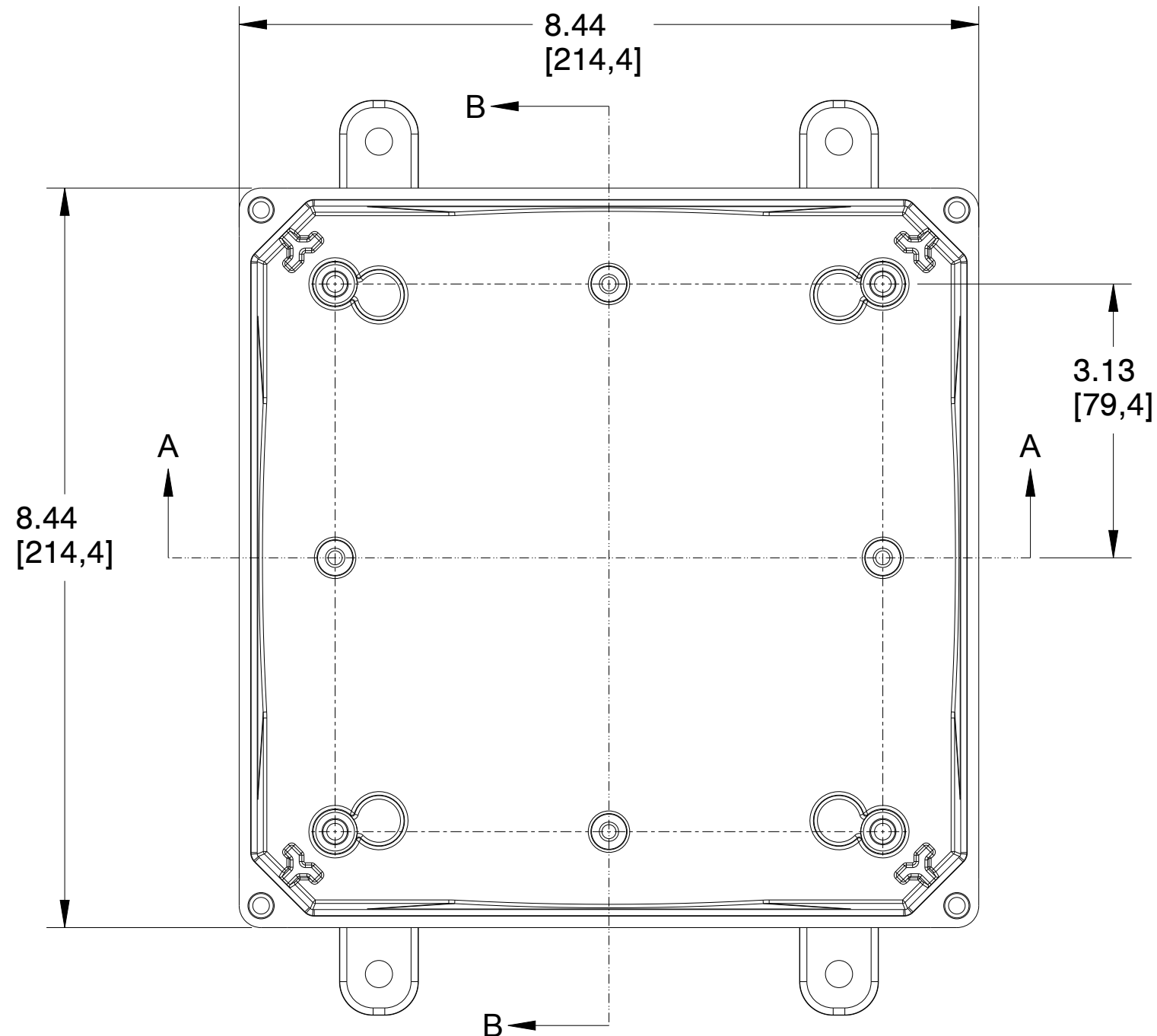
3

2

1



SECTION A-A



SECTION B-B



MUM INDUSTRIES  
8989 TYLER BLVD  
MENTOR, OHIO, U.S.A.  
(440) 269-8155 FAX (440) 269-8166

SCALE 0.600	SHEET 2 of 2	DRAWN BY T.PAUL
TITLE PREM-8X8X4-SCR		
DATE 07.16.2021	DRAWING NUMBER H8084S	REV A

UNLESS OTHERWISE SPECIFIED:  
DIMENSIONS ARE IN INCHES (mm)  
AND ARE NOMINAL ONLY

PROPRIETARY AND CONFIDENTIAL:  
THE INFORMATION CONTAINED IN THIS  
DRAWING IS THE SOLE PROPERTY OF  
INTEGRA ENCLOSURES. ANY  
REPRODUCTION IN PART OR AS A  
WHOLE WITHOUT THE WRITTEN  
PERMISSION OF INTEGRA  
ENCLOSURES IS PROHIBITED.

4

3

2

1