

4

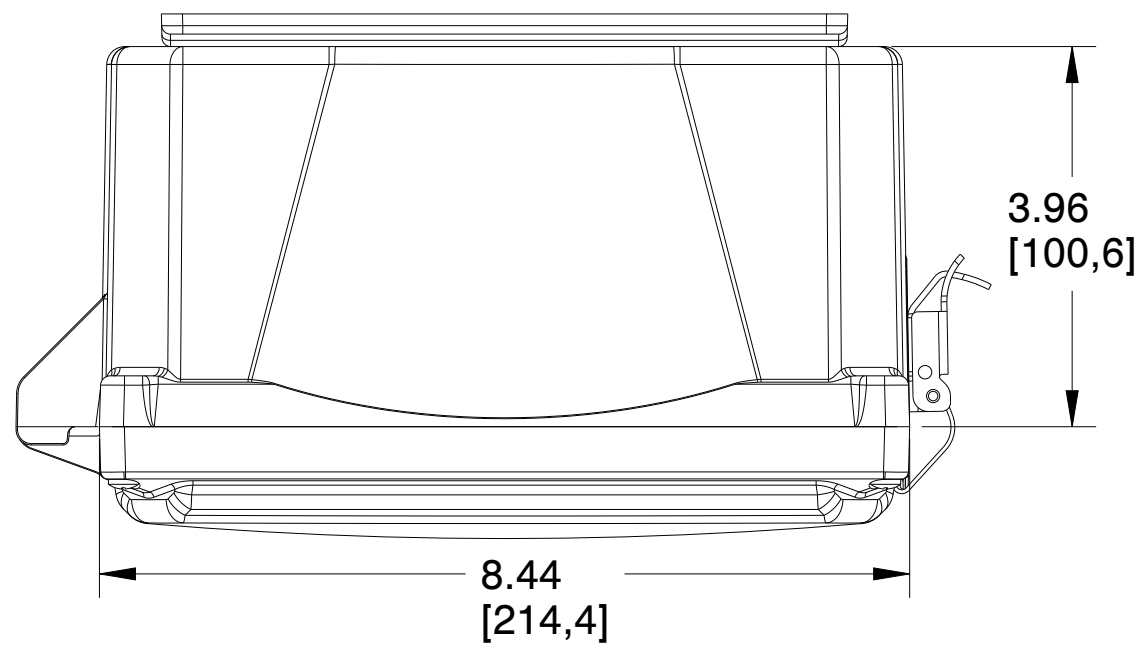
3

2

1

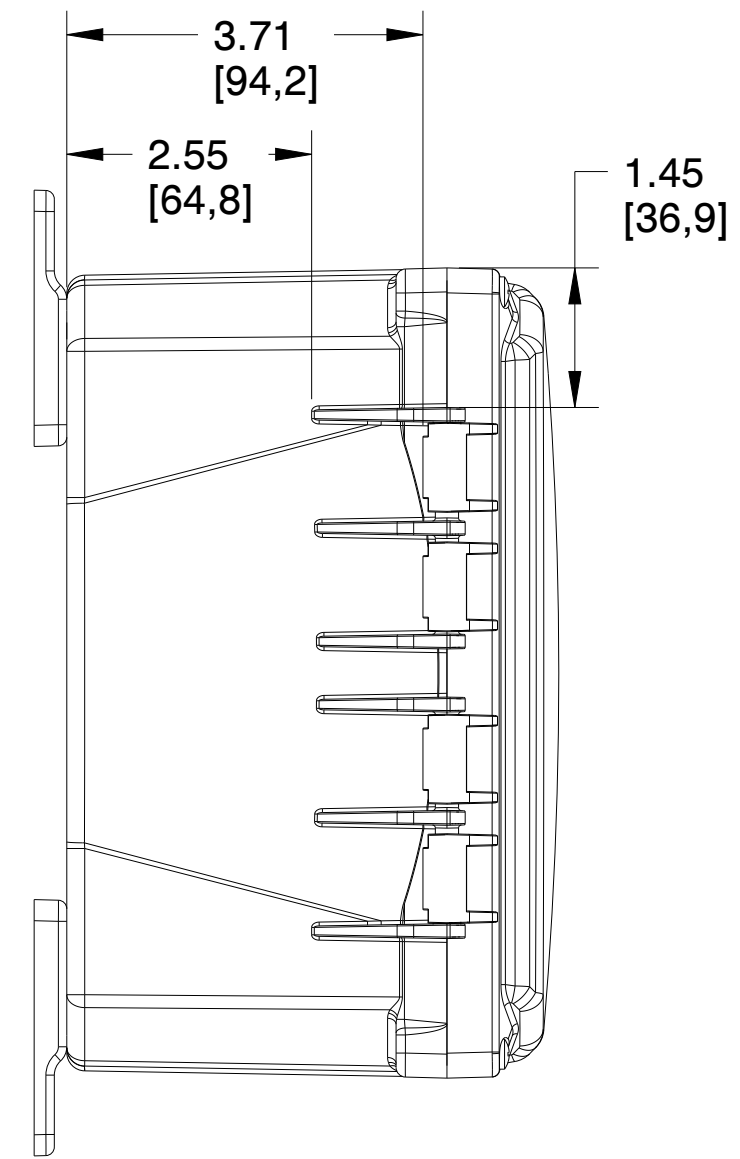
D

D



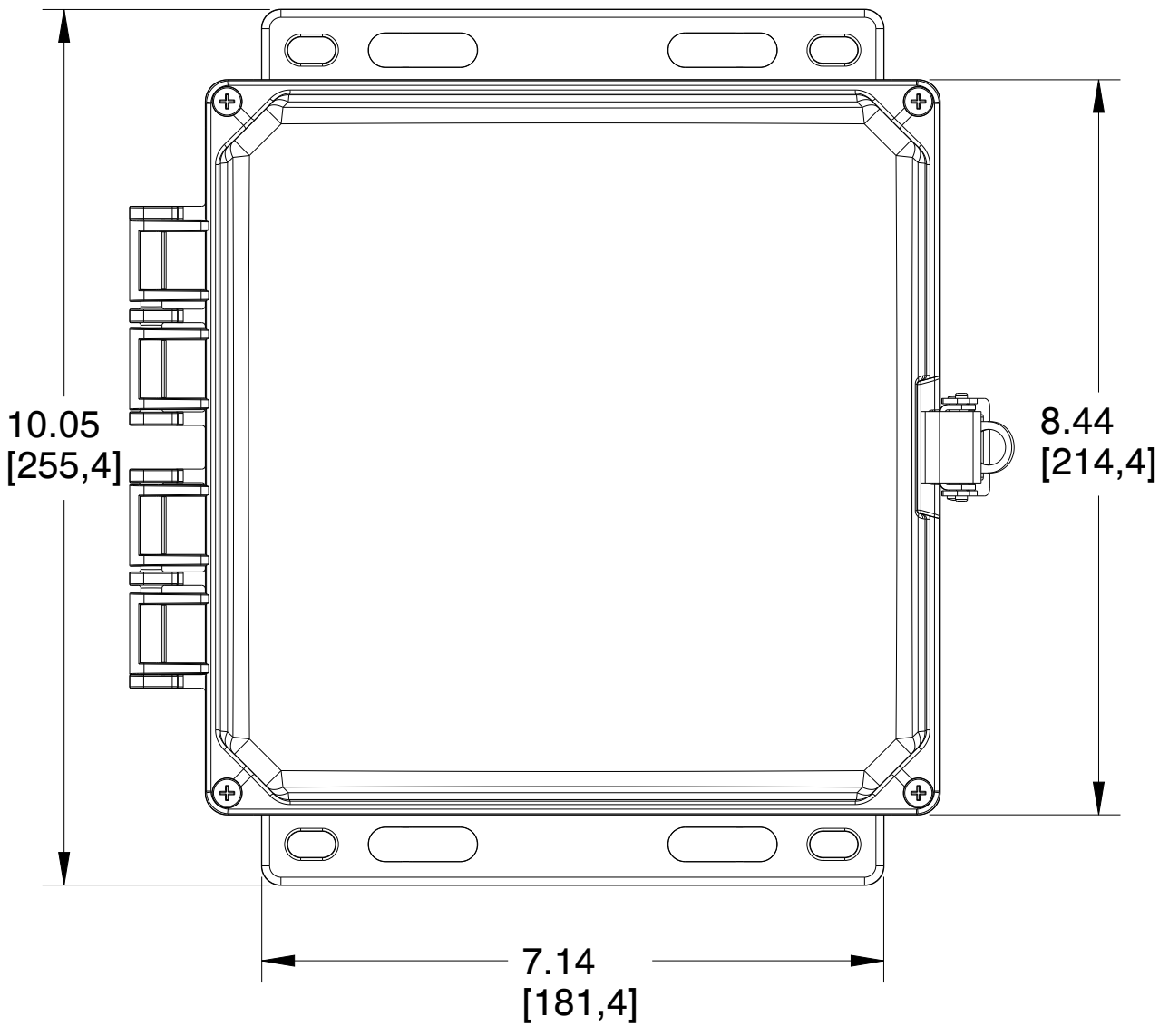
C

C



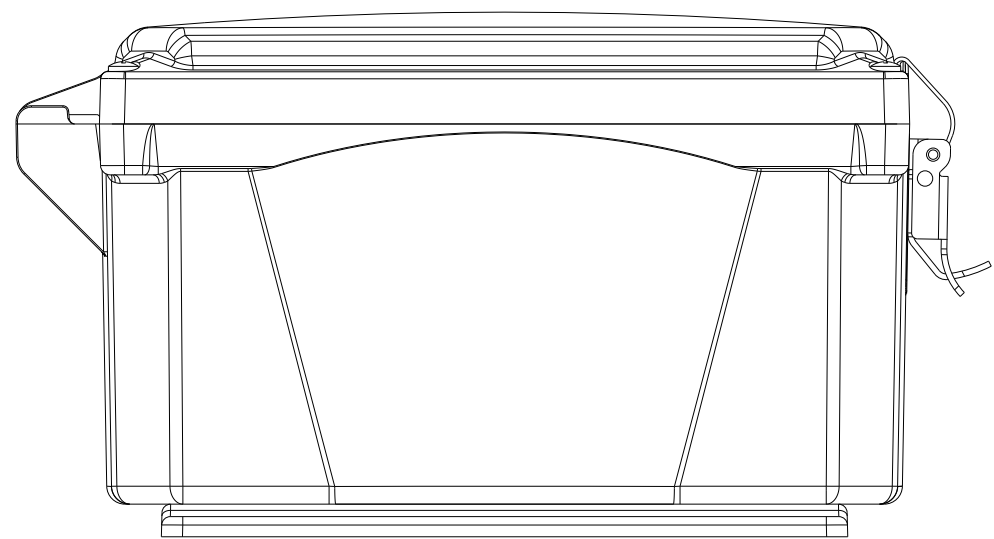
B

B



A

A

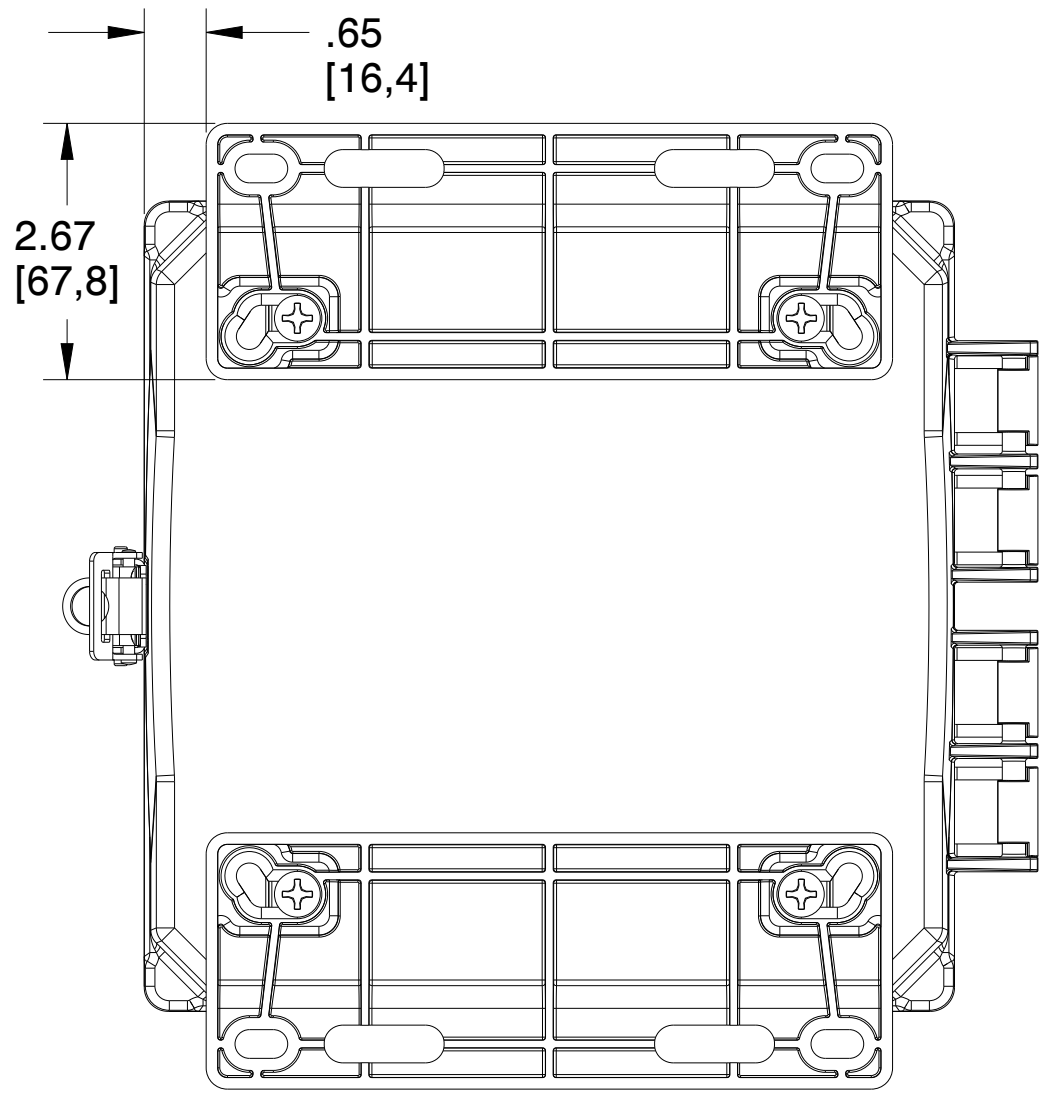
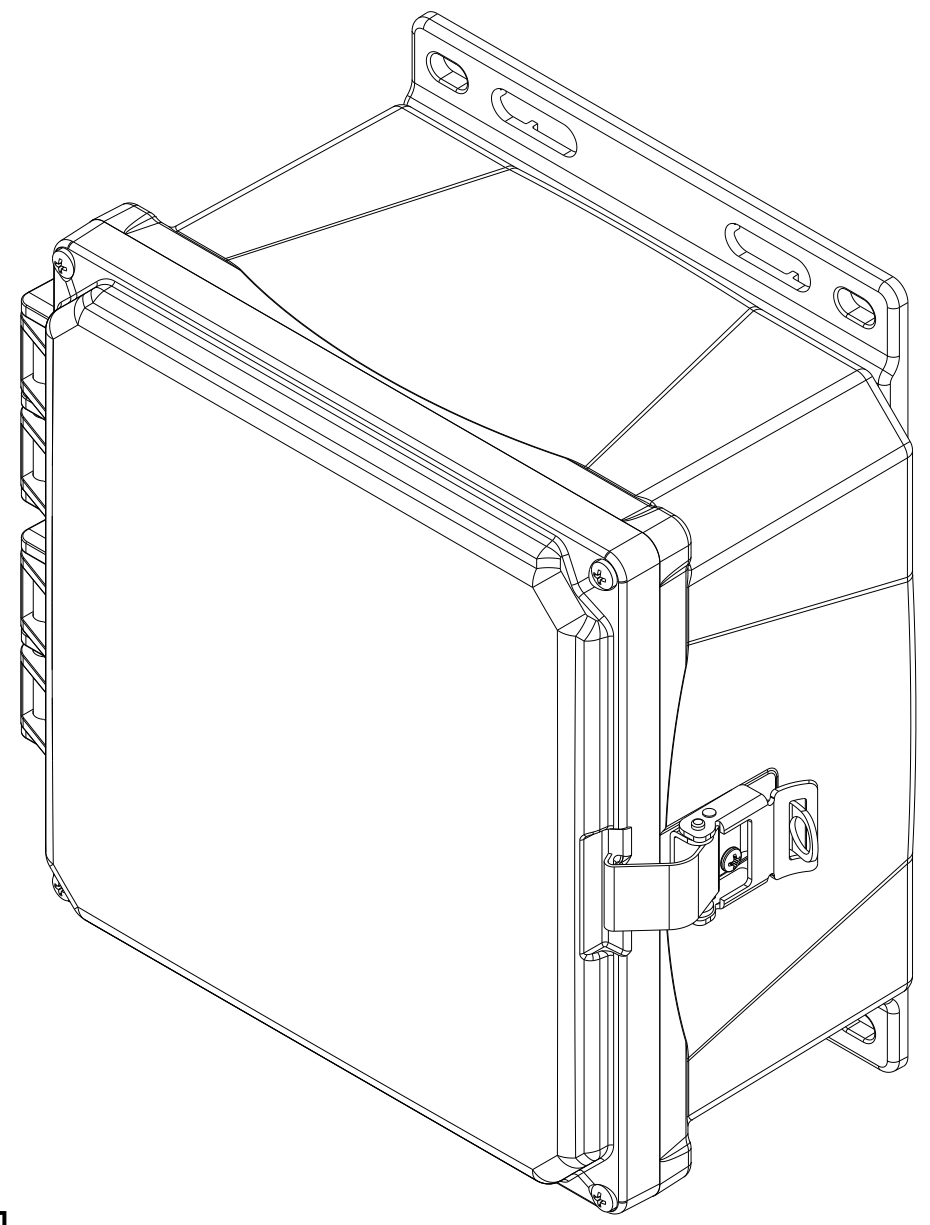
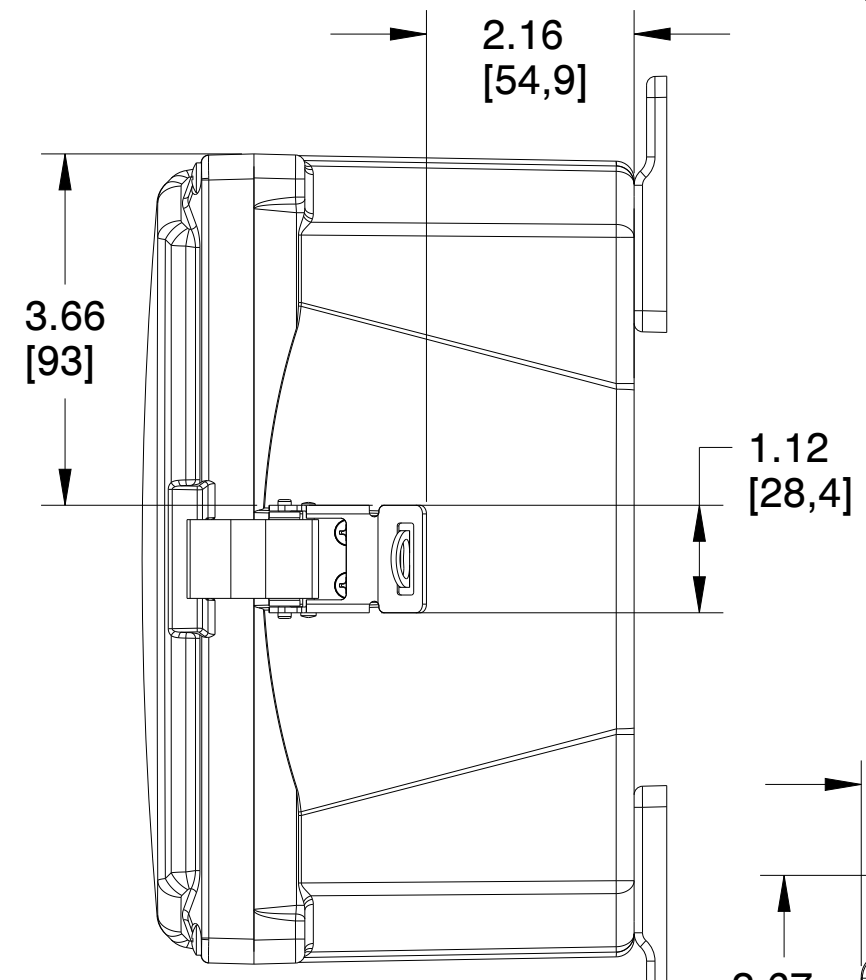


4

3

2

1



MUM INDUSTRIES
8989 TYLER BLVD
MENTOR, OHIO, U.S.A.
(440) 269-8155 FAX (440) 269-8166

| | | |
|----------------|-----------------|--------------------|
| SCALE 0.500 | SHEET 1 of 2 | DRAWN BY T.PAUL |
|----------------|-----------------|--------------------|

TITLE
PREM-8X8X4-HNG-GRY-SLL

| | | |
|--------------------|----------------------------|----------|
| DATE 07.28.2021 | DRAWING NUMBER H8084HFL | REV A |
|--------------------|----------------------------|----------|

UNLESS OTHERWISE SPECIFIED:
DIMENSIONS ARE IN INCHES (mm)
AND ARE NOMINAL ONLY.

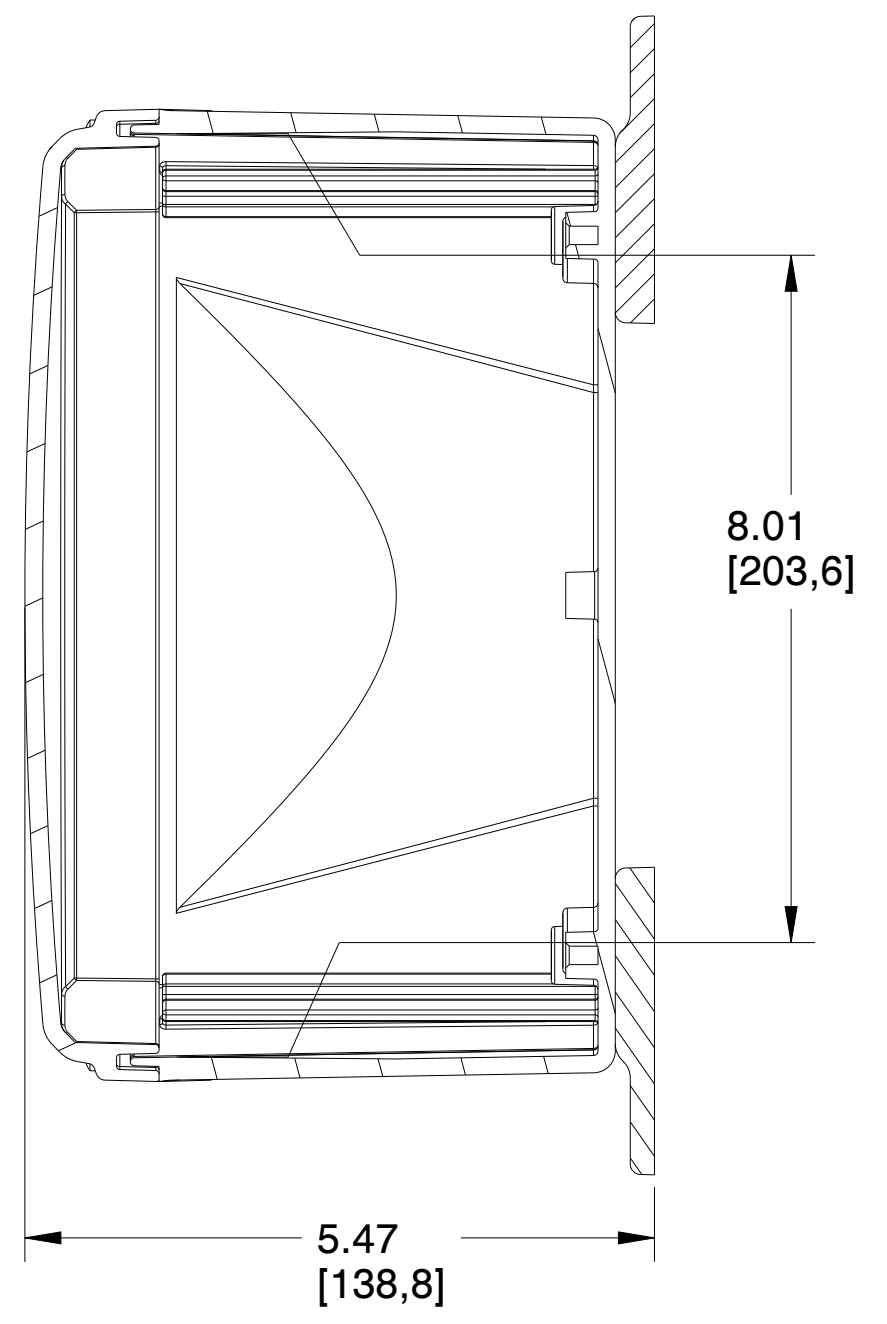
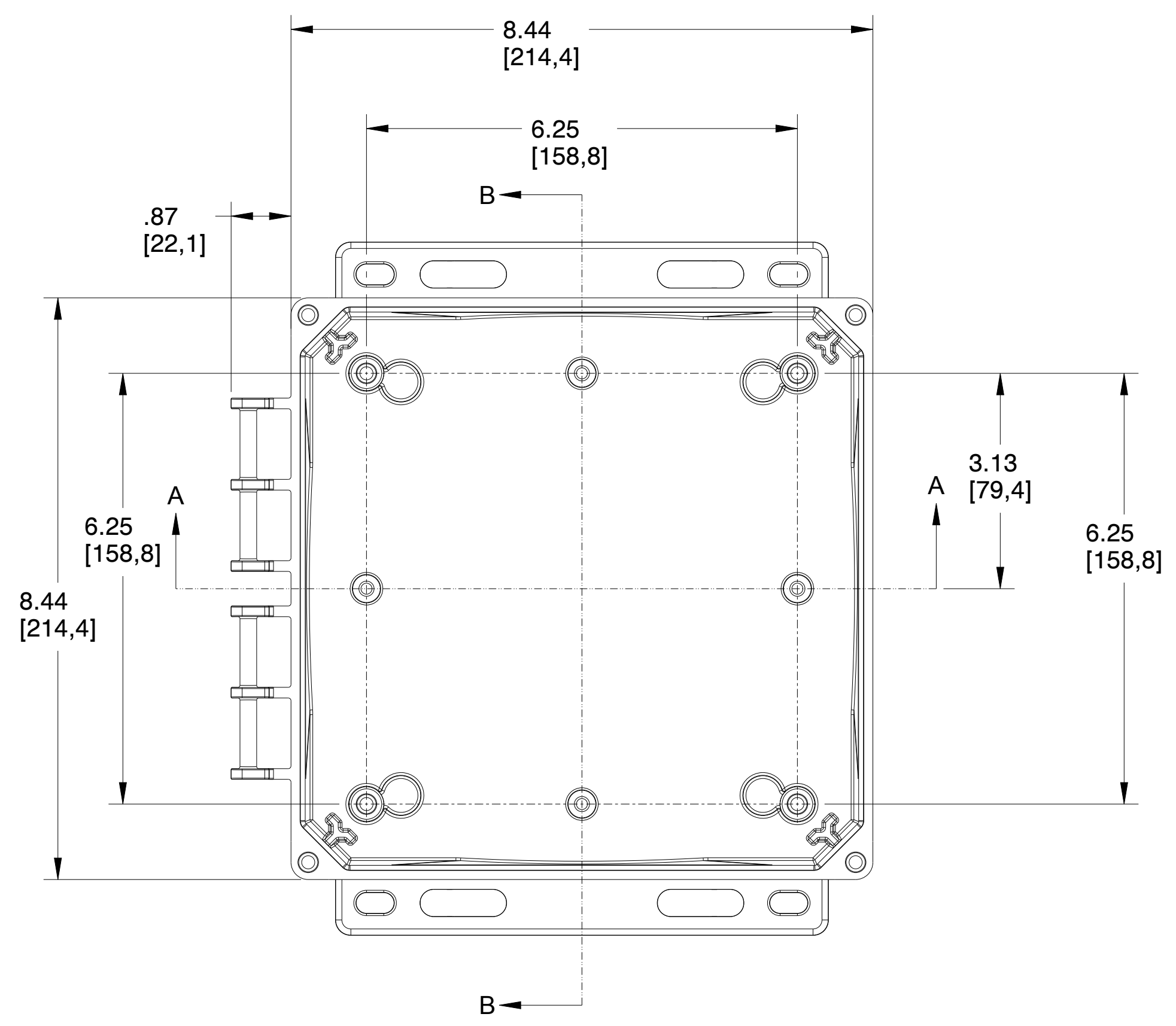
PROPRIETARY AND CONFIDENTIAL:
THE INFORMATION CONTAINED IN THIS
DRAWING IS THE SOLE PROPERTY OF
INTEGRA ENCLOSURES. ANY
REPRODUCTION IN PART OR AS A
WHOLE WITHOUT THE WRITTEN
PERMISSION OF INTEGRA
ENCLOSURES IS PROHIBITED.

4

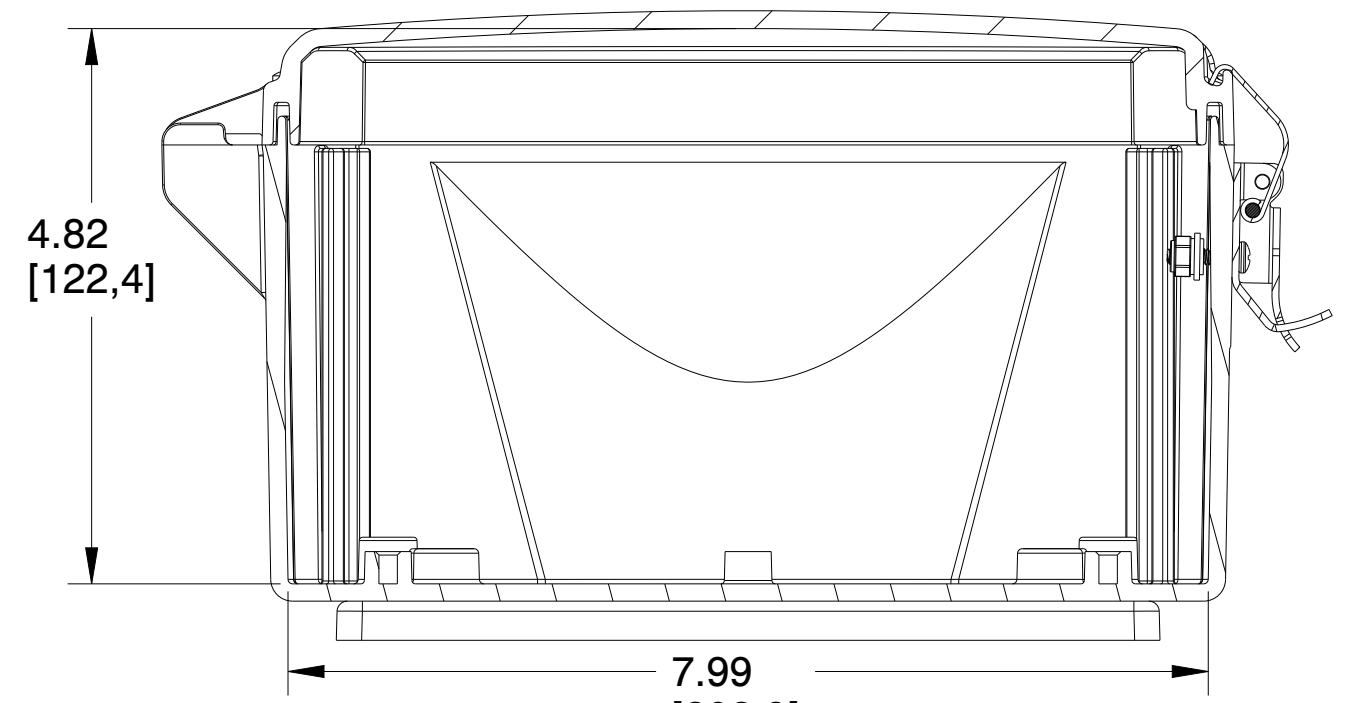
3

2

1



SECTION B-B



SECTION A-A

| | | | |
|---------------------------------|----------------------------|--|--|
| | | MUM INDUSTRIES 8989 TYLER BLVD MENTOR, OHIO, U.S.A. (440) 269-8155 FAX (440) 269-8166 | |
| SCALE 0.600 | SHEET 2 of 2 | DRAWN BY T.PAUL | |
| TITLE PREM-8X8X4-HNG-GRY-SLL | | | |
| DATE 07.28.2021 | DRAWING NUMBER H8084HFL | REV A | |

UNLESS OTHERWISE SPECIFIED:
DIMENSIONS ARE IN INCHES (mm)
AND ARE NOMINAL ONLY

PROPRIETARY AND CONFIDENTIAL:
THE INFORMATION CONTAINED IN THIS
DRAWING IS THE SOLE PROPERTY OF
INTEGRA ENCLOSURES. ANY
REPRODUCTION IN PART OR AS A
WHOLE WITHOUT THE WRITTEN
PERMISSION OF INTEGRA
ENCLOSURES IS PROHIBITED.

4

3

2

1