

4

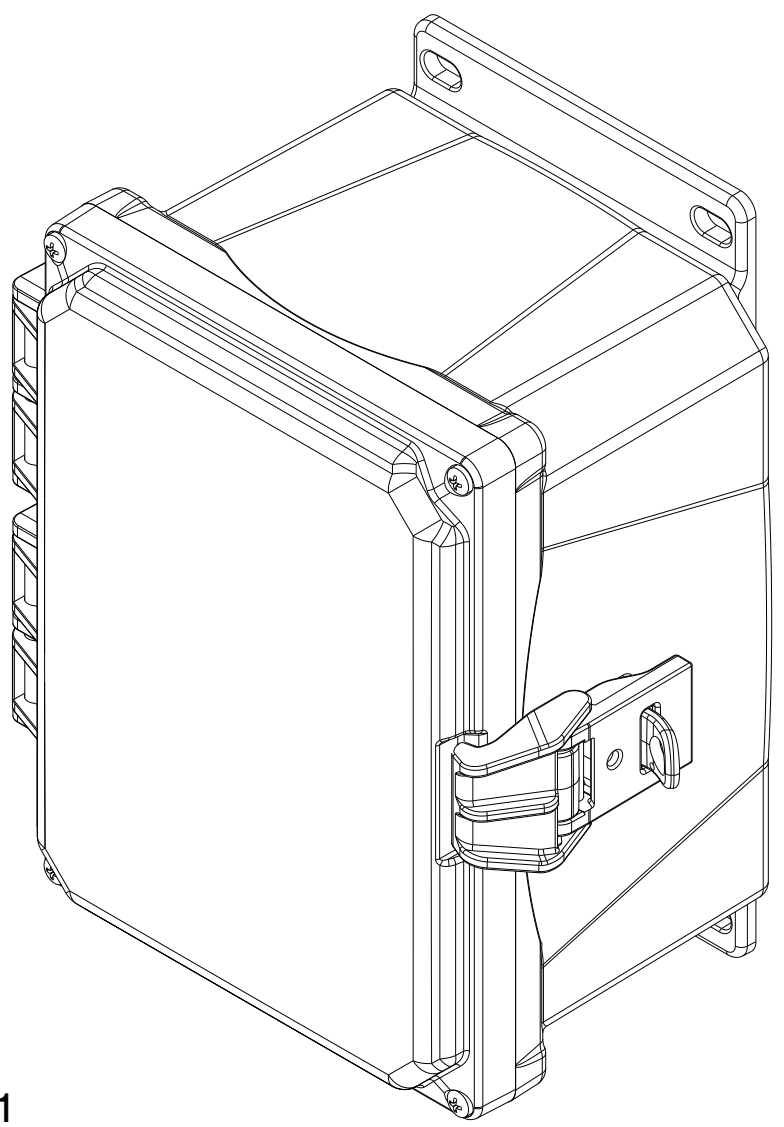
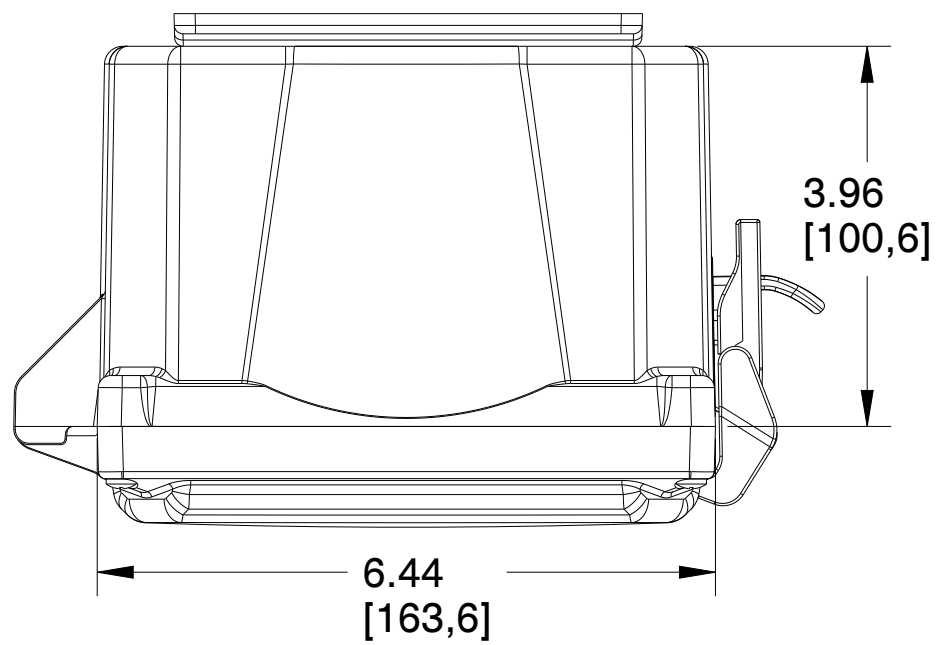
3

2

1

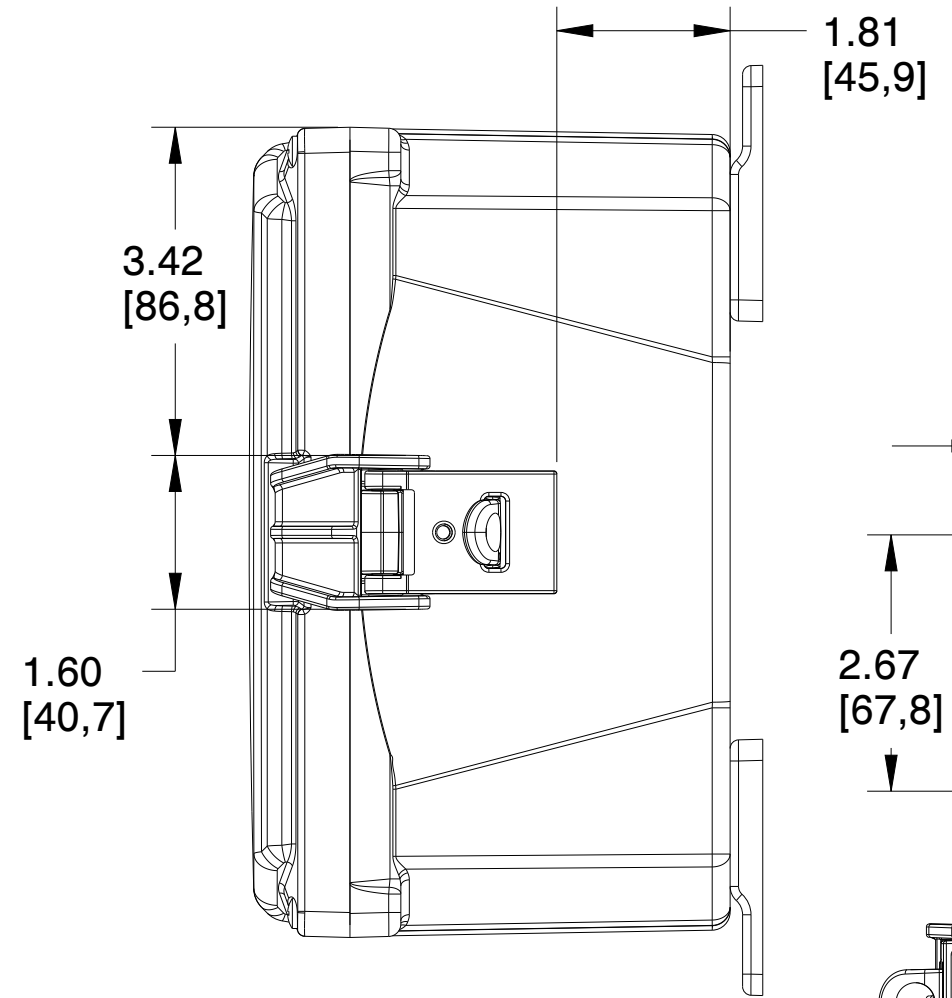
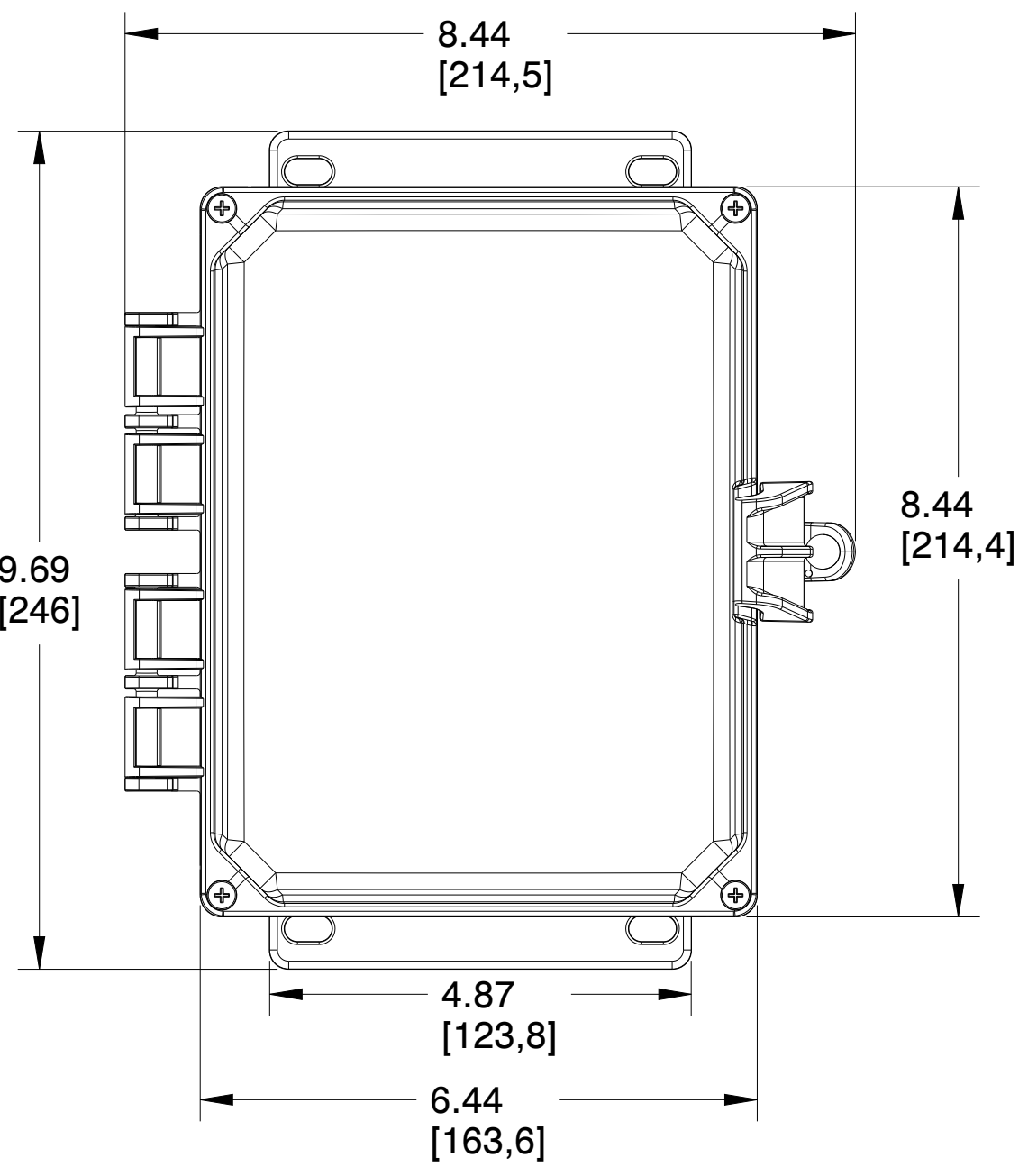
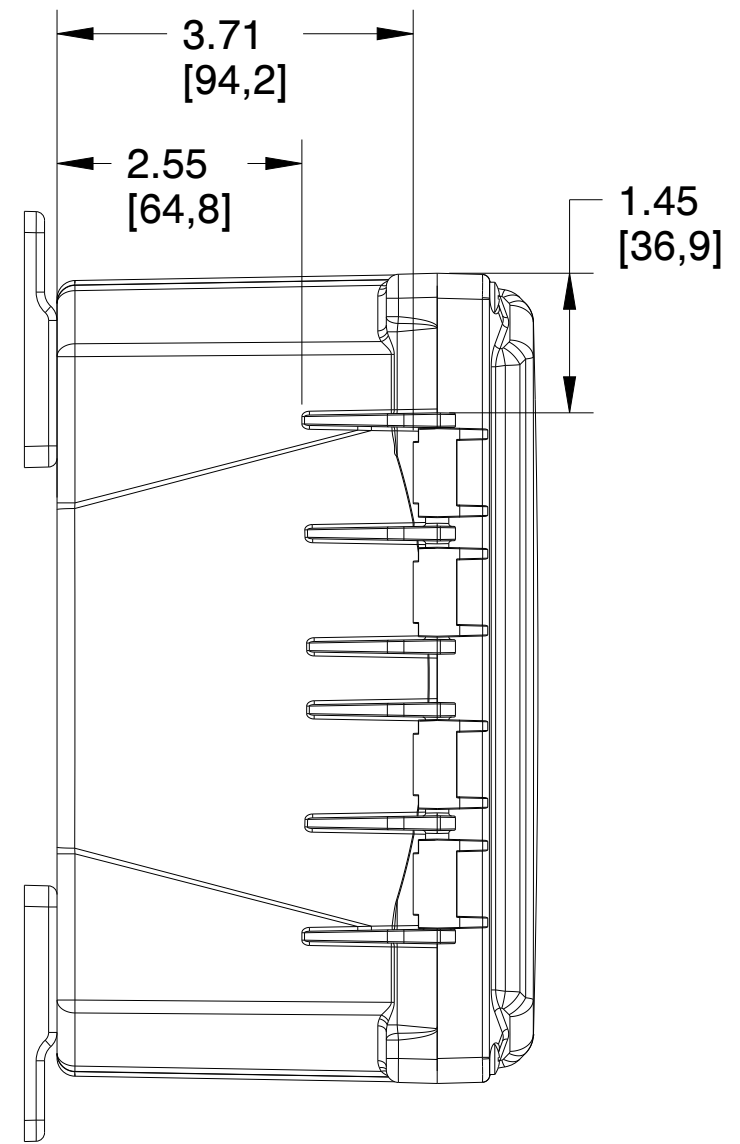
D

D



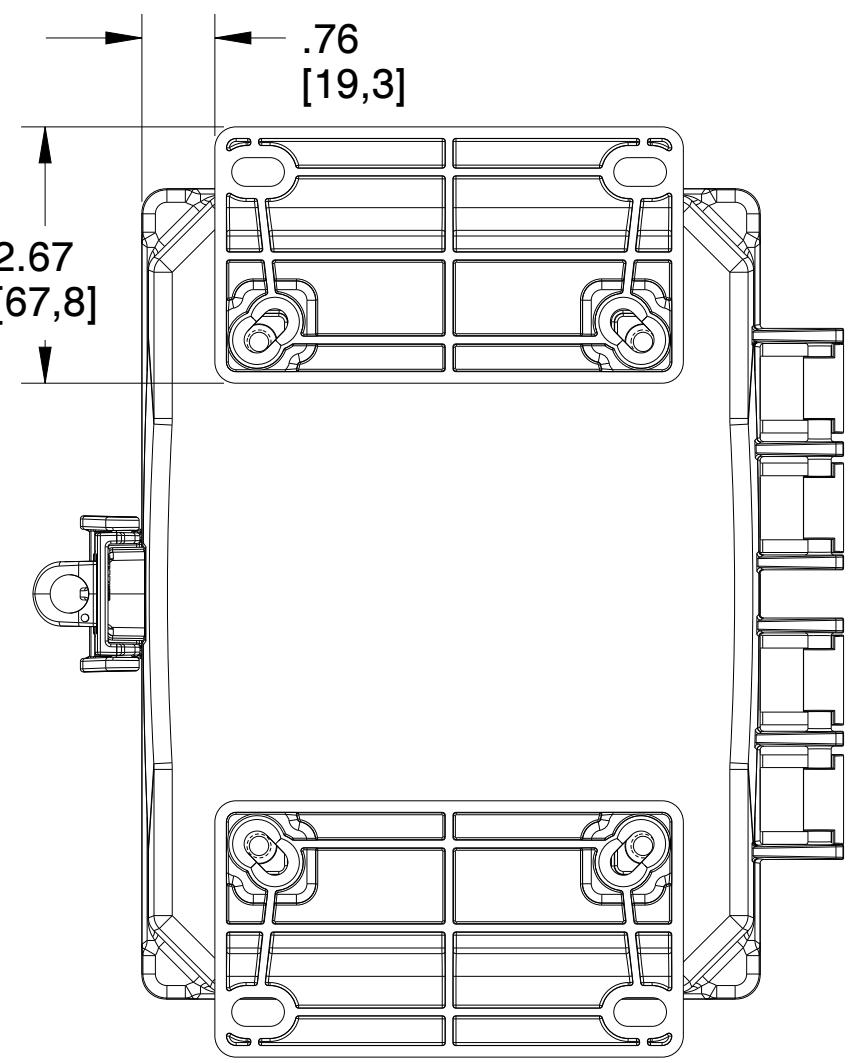
C

C



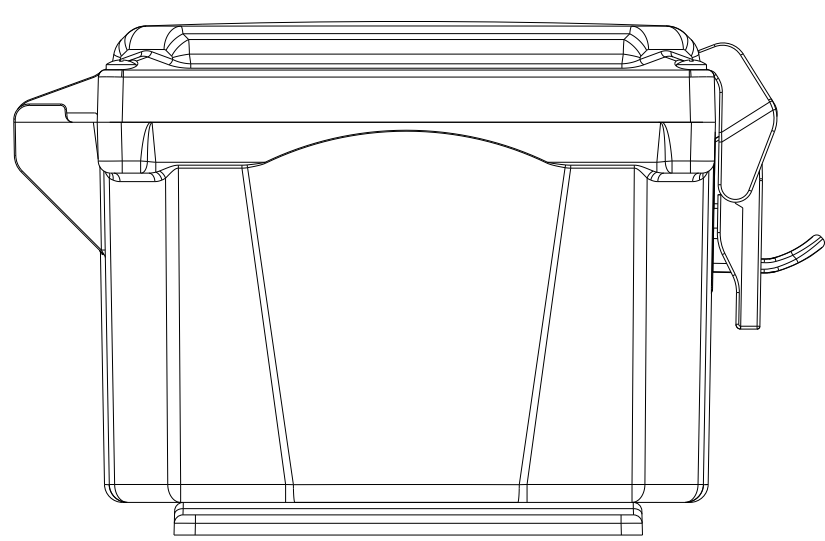
B

B



A

A



4

3

2

1

		MUM INDUSTRIES 8989 TYLER BLVD MENTOR, OHIO, U.S.A. (440) 269-8155 FAX (440) 269-8166
SCALE 0.500	SHEET 1 of 2	DRAWN BY T. PAUL
TITLE PREM-8X6X4-HNG-NON-METAL		
DATE 08.03.2021	DRAWING NUMBER H8064HFNL	REV A

UNLESS OTHERWISE SPECIFIED:  
DIMENSIONS ARE IN INCHES (mm)  
AND ARE NOMINAL ONLY

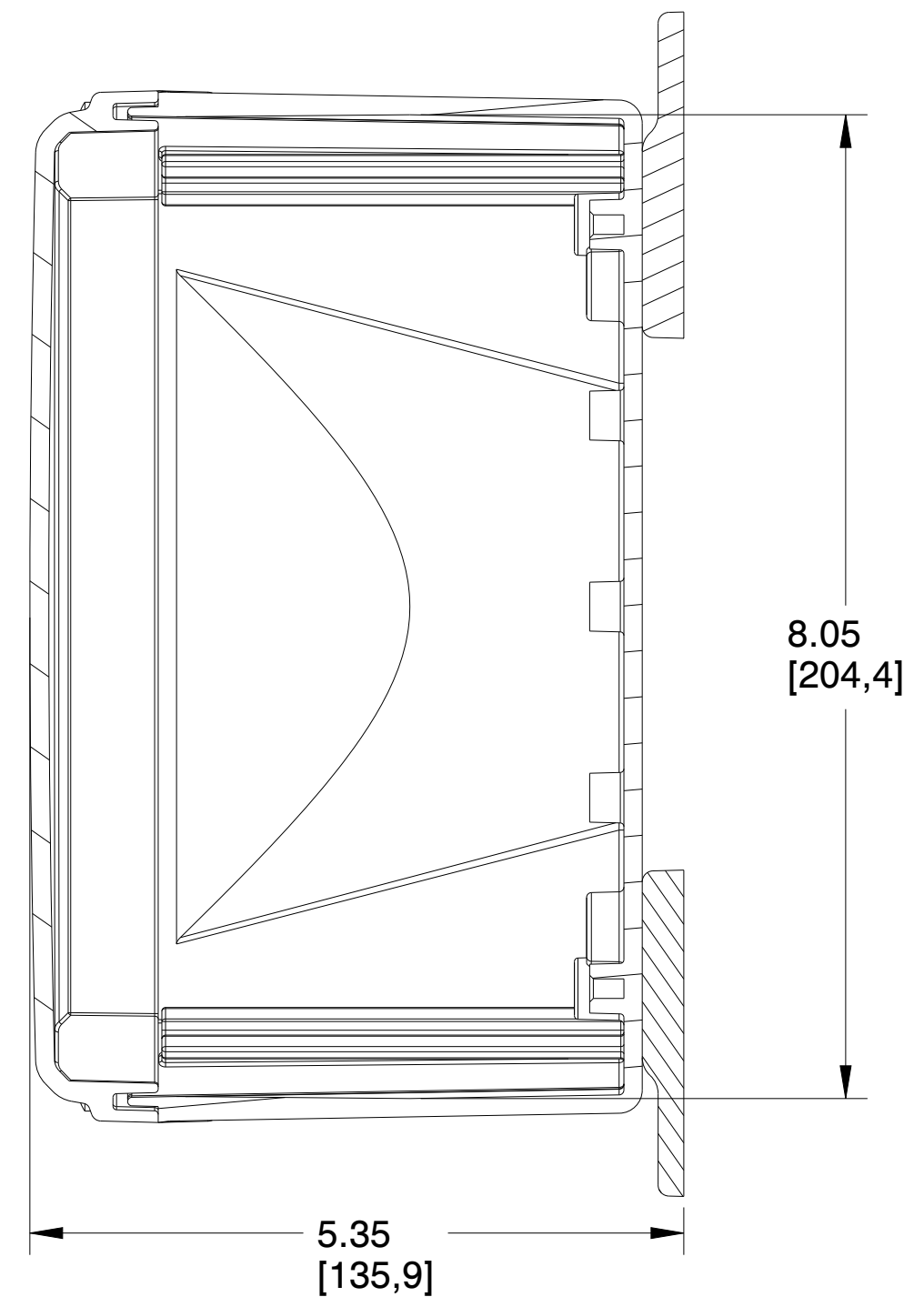
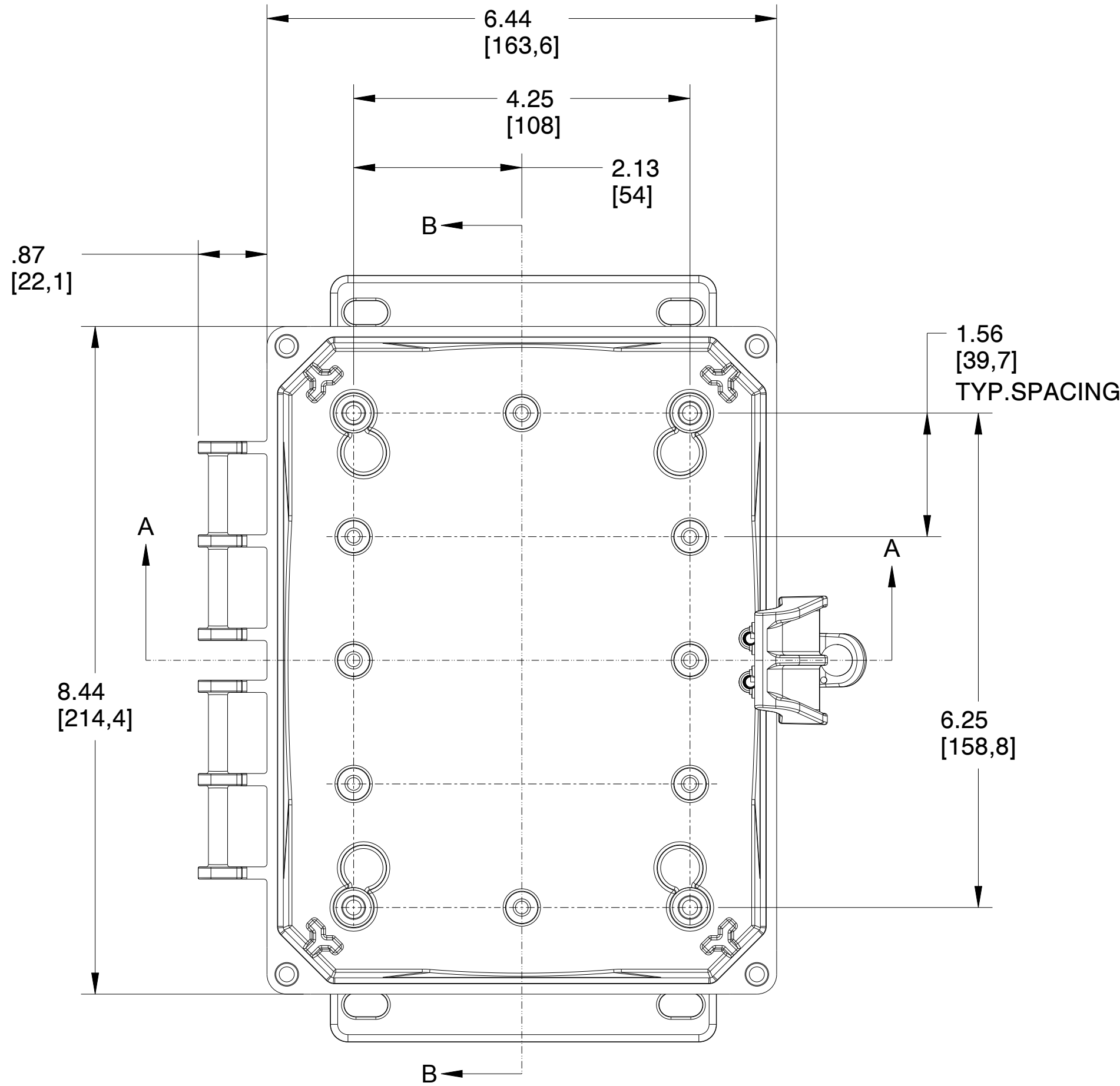
PROPRIETARY AND CONFIDENTIAL:  
THE INFORMATION CONTAINED IN THIS  
DRAWING IS THE SOLE PROPERTY OF  
INTEGRA ENCLOSURES. ANY  
REPRODUCTION IN PART OR AS A  
WHOLE WITHOUT THE WRITTEN  
PERMISSION OF INTEGRA  
ENCLOSURES IS PROHIBITED.

4

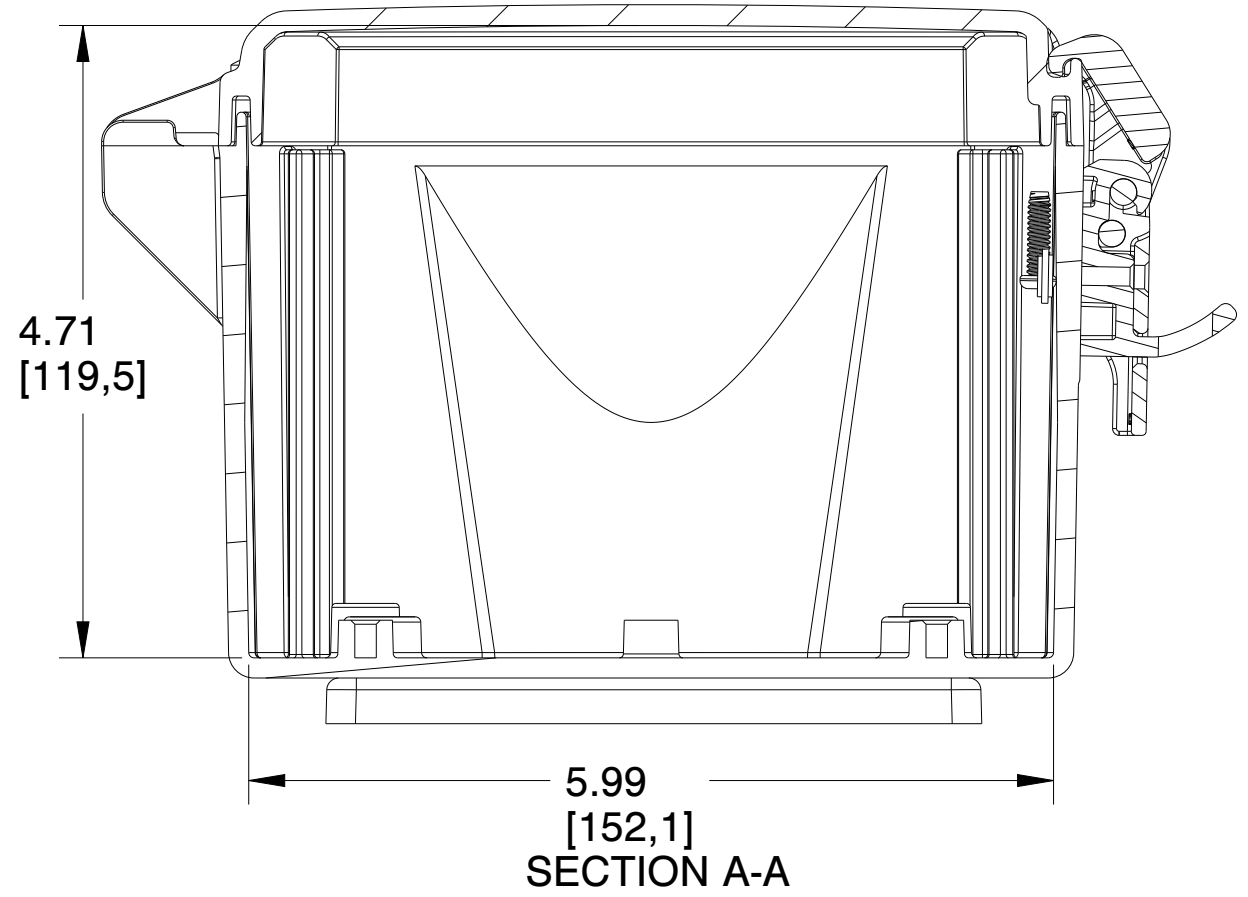
3

2

1



SECTION B-B



SECTION A-A

		MUM INDUSTRIES 8989 TYLER BLVD MENTOR, OHIO, U.S.A. (440) 269-8155 FAX (440) 269-8166	
SCALE	SHEET	DRAWN BY	
0.700	2 of 2	T. PAUL	
TITLE			
PREM-8X6X4-HNG-NON-METAL			
DATE	DRAWING NUMBER	REV	
08.03.2021	H8064HFNL	A	

UNLESS OTHERWISE SPECIFIED:  
DIMENSIONS ARE IN INCHES (mm)  
AND ARE NOMINAL ONLY.

PROPRIETARY AND CONFIDENTIAL:  
THE INFORMATION CONTAINED IN THIS  
DRAWING IS THE SOLE PROPERTY OF  
INTEGRA ENCLOSURES. ANY  
REPRODUCTION IN PART OR AS A  
WHOLE WITHOUT THE WRITTEN  
PERMISSION OF INTEGRA  
ENCLOSURES IS PROHIBITED.

4

3

2

1

D

D

C

C

B

B

A

A