

4

3

2

1

D

D

C

C

B

B

A

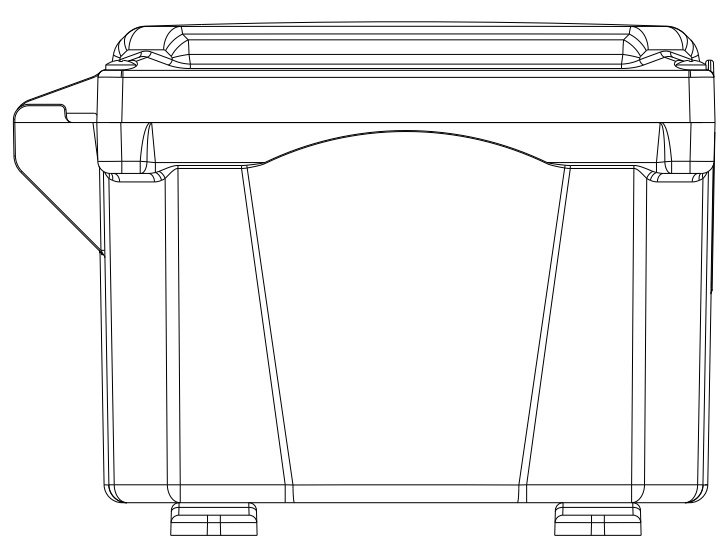
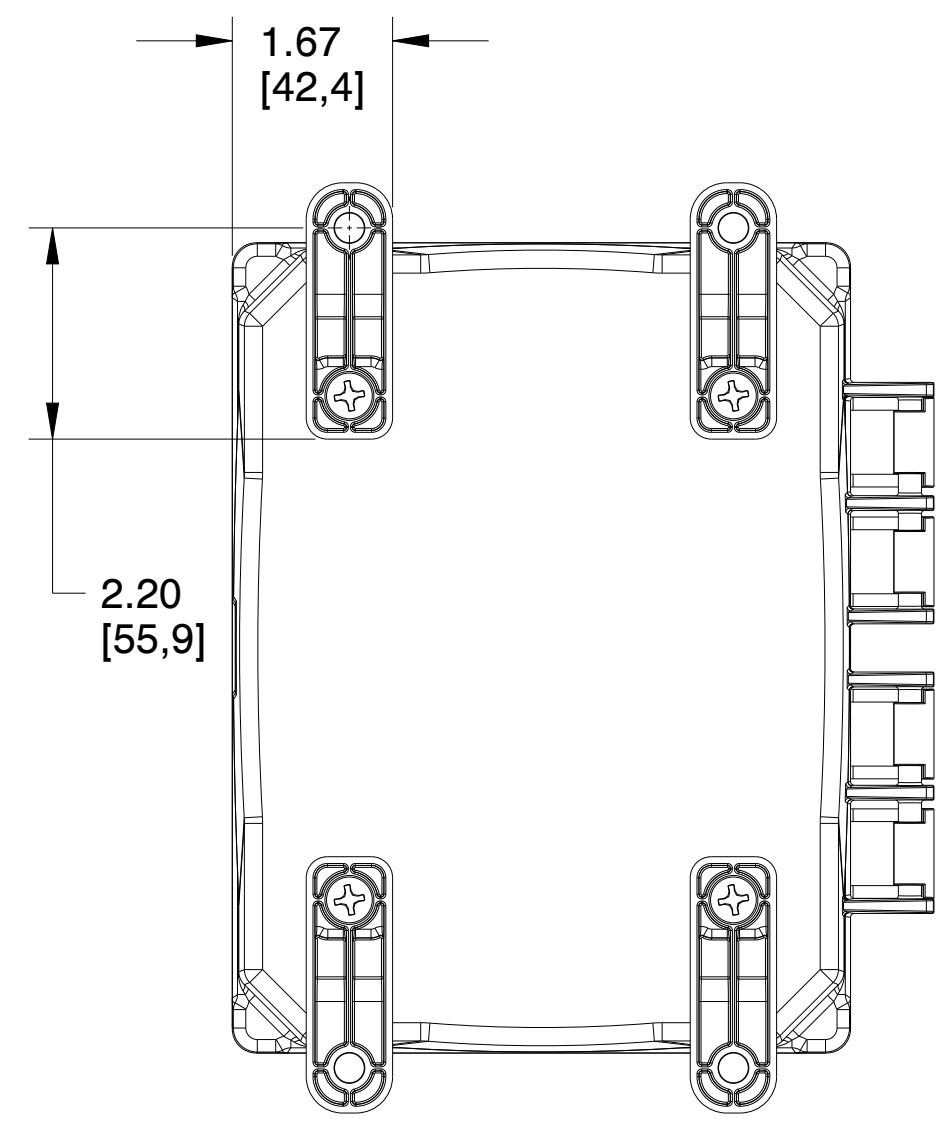
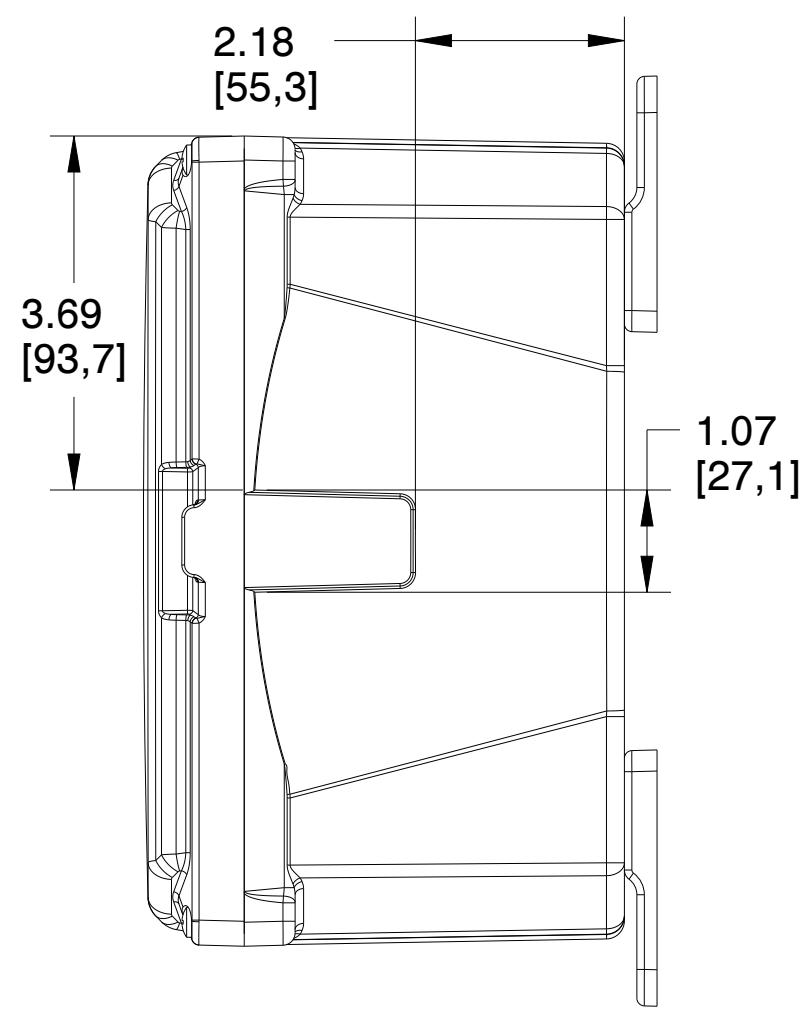
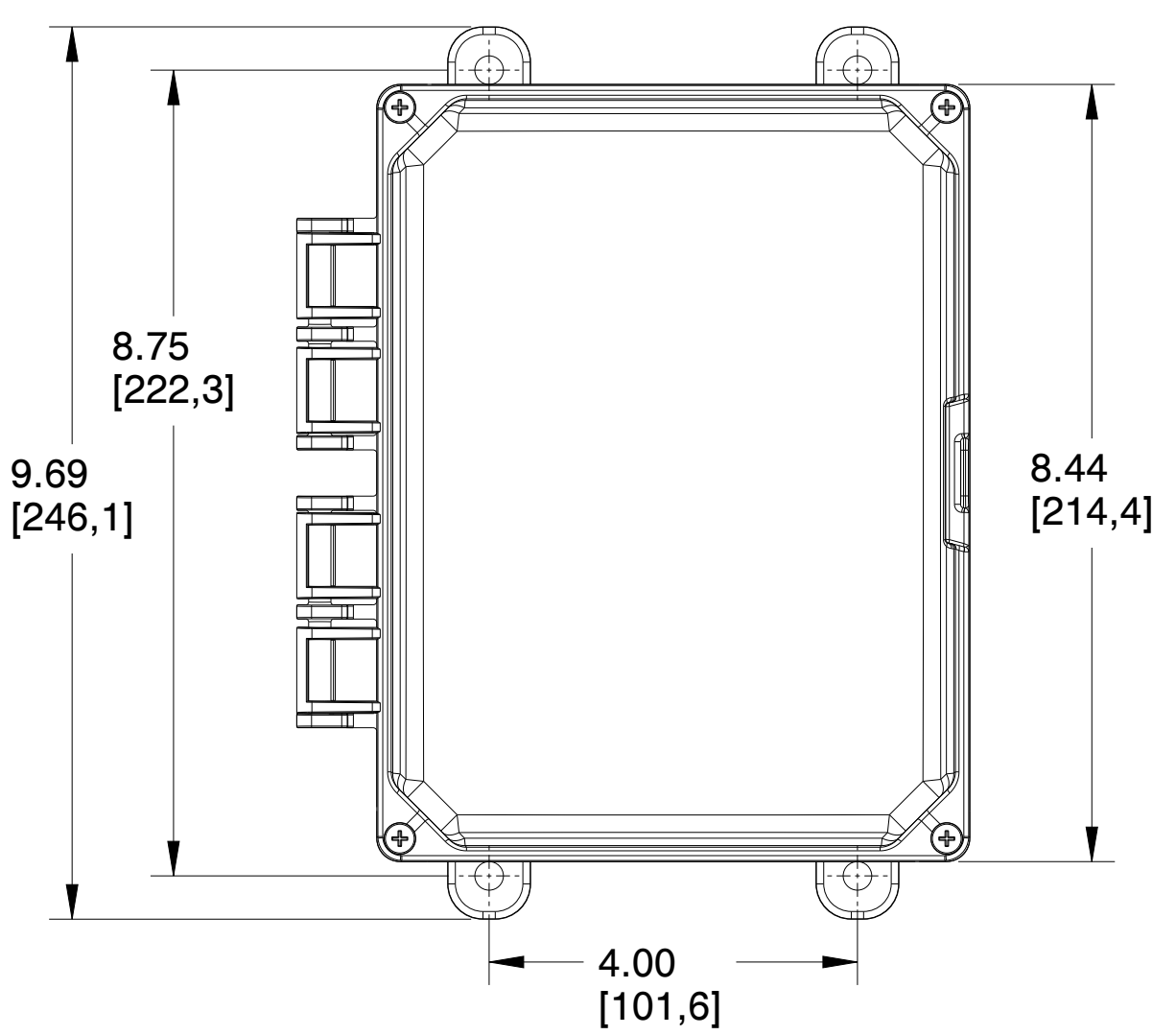
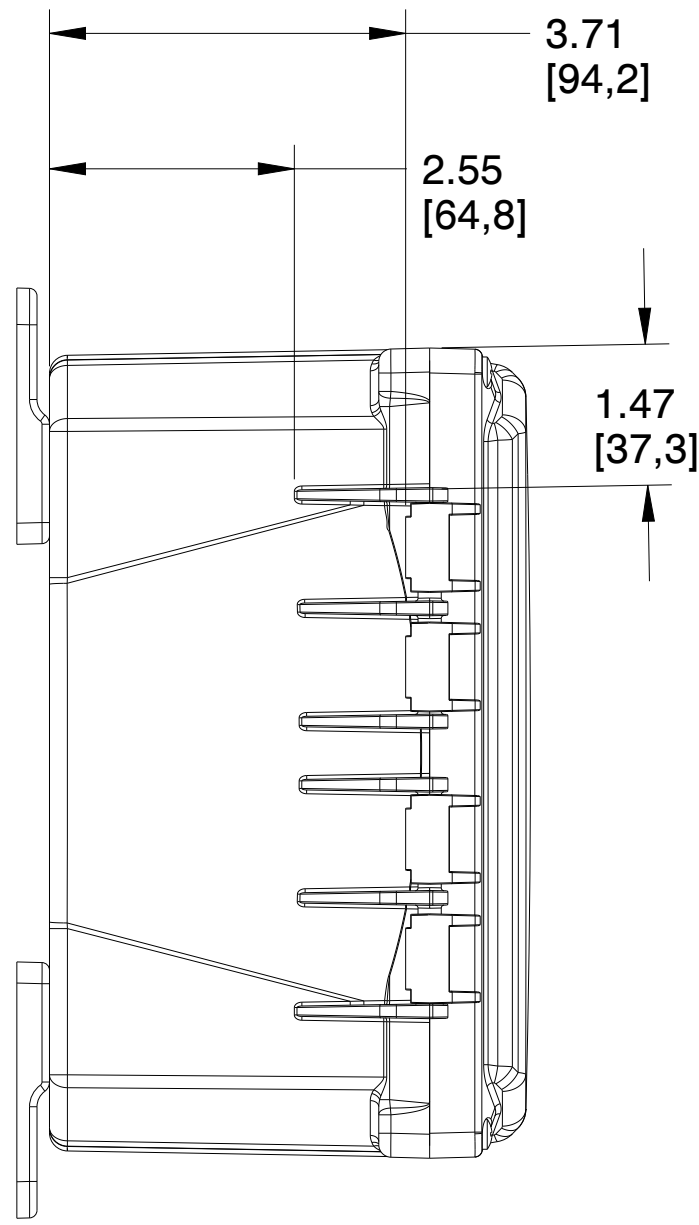
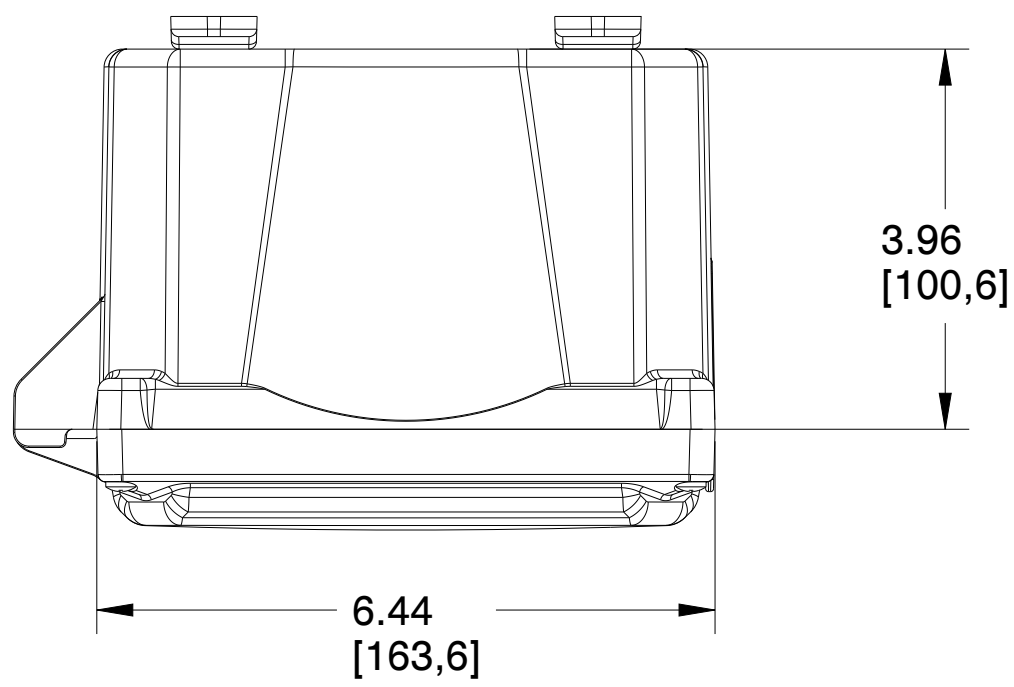
A

4

3

2

1



INTEGRA ENCLOSURES
 MUM INDUSTRIES
 8989 TYLER BLVD
 MENTOR, OHIO, U.S.A.
 (440) 269-8155 FAX (440) 269-8166

SCALE: 0.500 SHEET: 1 of 2 DRAWN BY: T. PAUL

TITLE: PREM-8X6X4-HNG

DATE: 07.12.2021 DRAWING NUMBER: H8064H REV: A

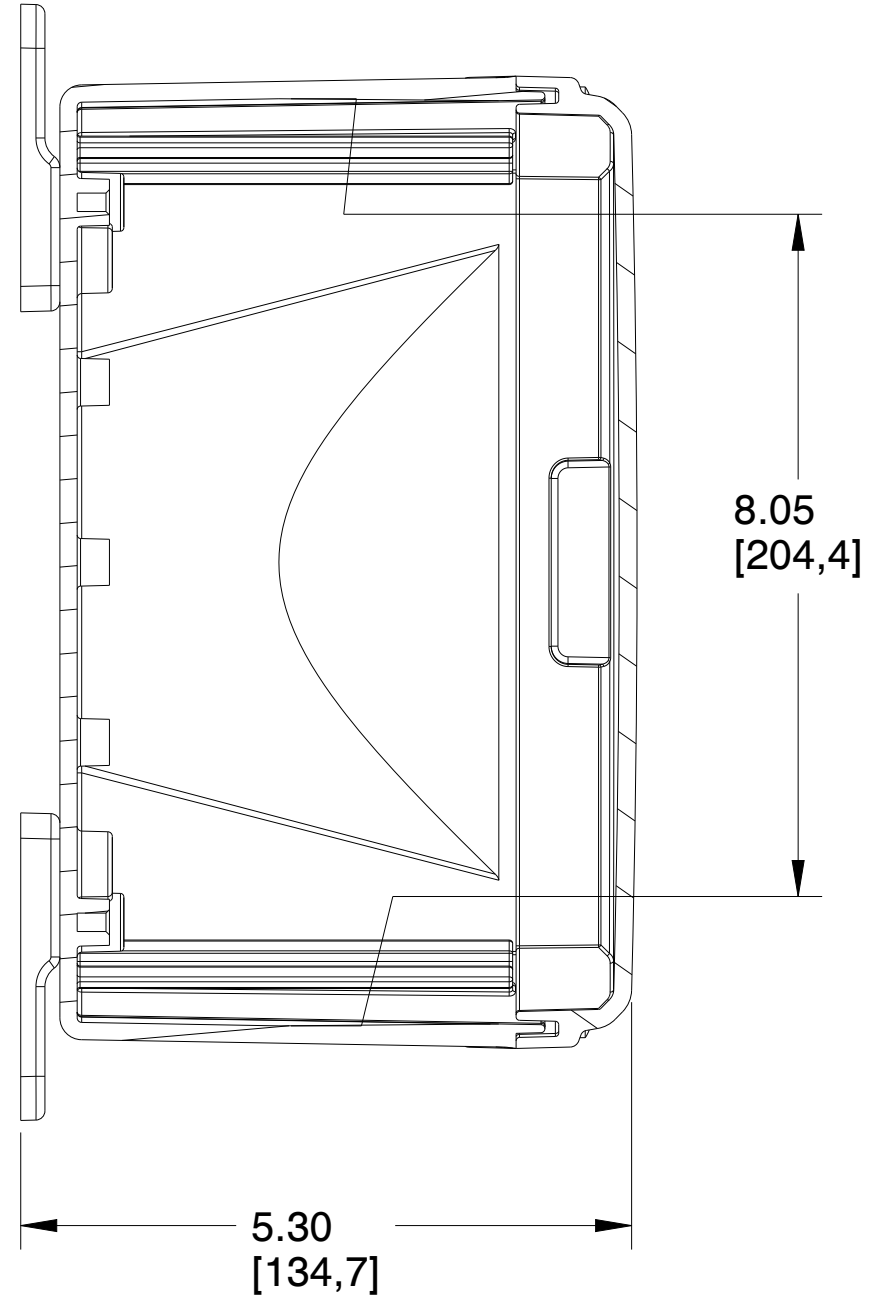
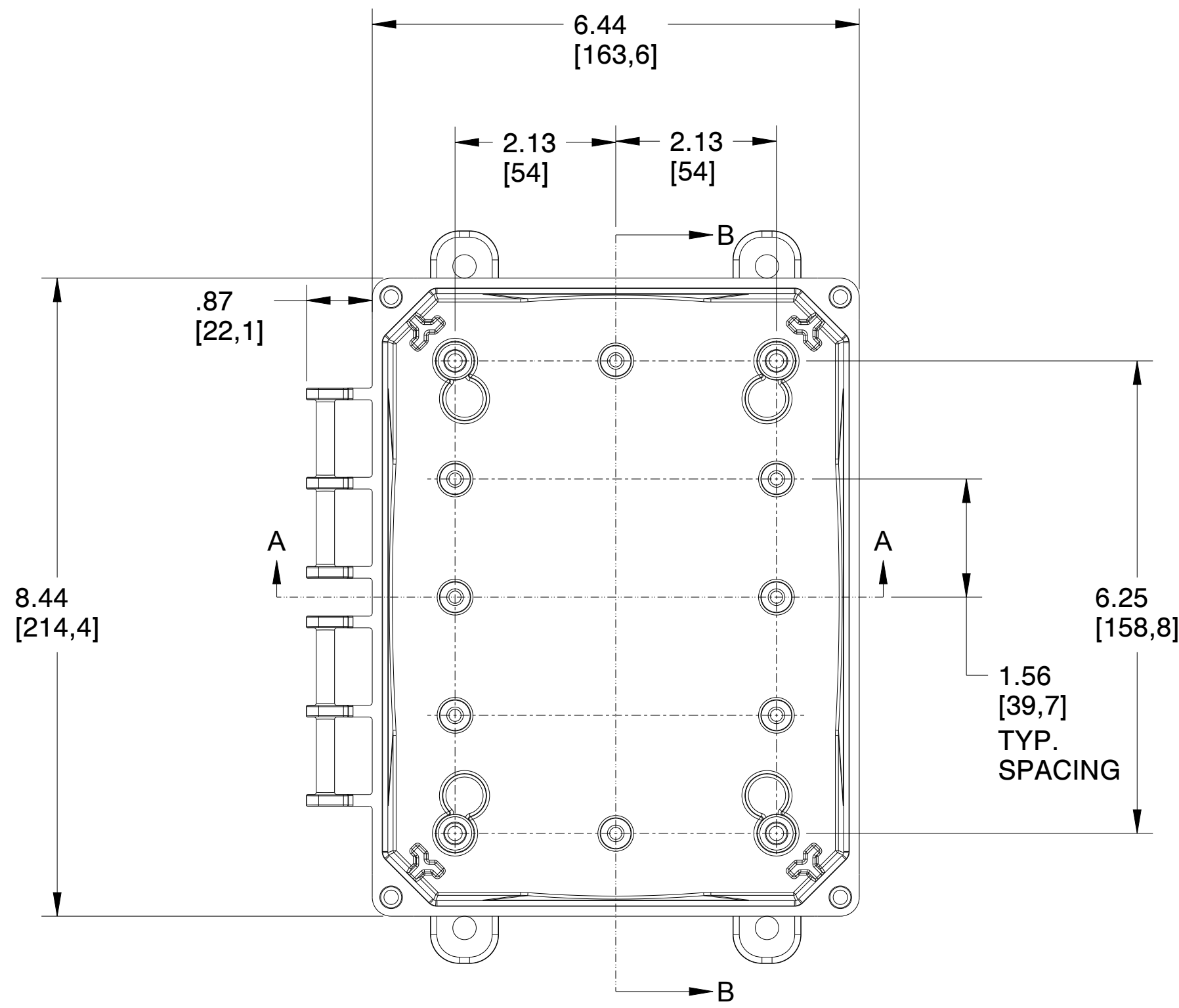
UNLESS OTHERWISE SPECIFIED:
 DIMENSIONS ARE IN INCHES (mm)
 AND ARE NOMINAL ONLY.
 PROPRIETARY AND CONFIDENTIAL:
 THE INFORMATION CONTAINED IN THIS
 DRAWING IS THE SOLE PROPERTY OF
 INTEGRA ENCLOSURES. ANY
 REPRODUCTION IN PART OR AS A
 WHOLE WITHOUT THE WRITTEN
 PERMISSION OF INTEGRA
 ENCLOSURES IS PROHIBITED.

4

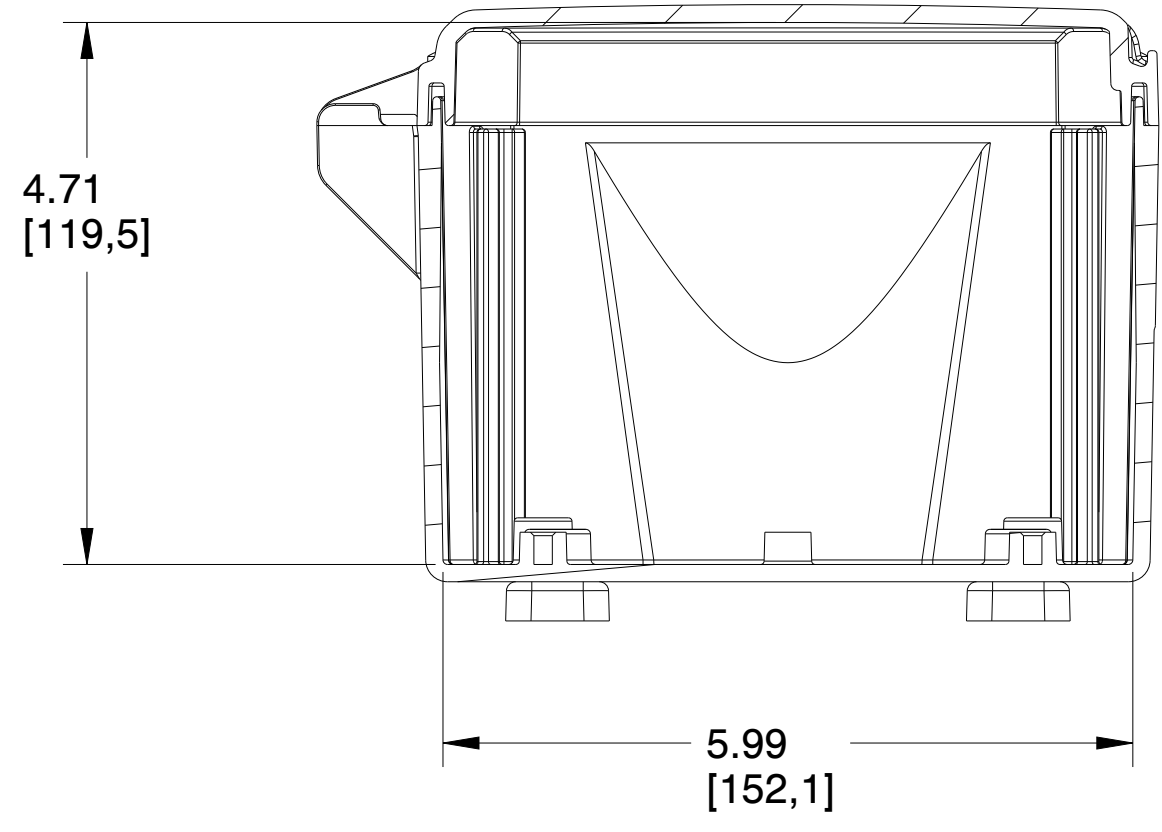
3

2

1



SECTION B-B



SECTION A-A



MUM INDUSTRIES
8989 TYLER BLVD
MENTOR, OHIO, U.S.A.
(440) 269-8155 FAX (440) 269-8166

SCALE	SHEET	DRAWN BY
0.600	2 of 2	T. PAUL

TITLE
PREM-8X6X4-HNG

DATE	DRAWING NUMBER	REV
7.12.2021	H8064H	A

UNLESS OTHERWISE SPECIFIED:
DIMENSIONS ARE IN INCHES (mm)
AND ARE NOMINAL ONLY

PROPRIETARY AND CONFIDENTIAL:
THE INFORMATION CONTAINED IN THIS
DRAWING IS THE SOLE PROPERTY OF
INTEGRA ENCLOSURES. ANY
REPRODUCTION IN PART OR AS A
WHOLE WITHOUT THE WRITTEN
PERMISSION OF INTEGRA
ENCLOSURES IS PROHIBITED.

4

3

2

1