

4

3

2

1

D

D

C

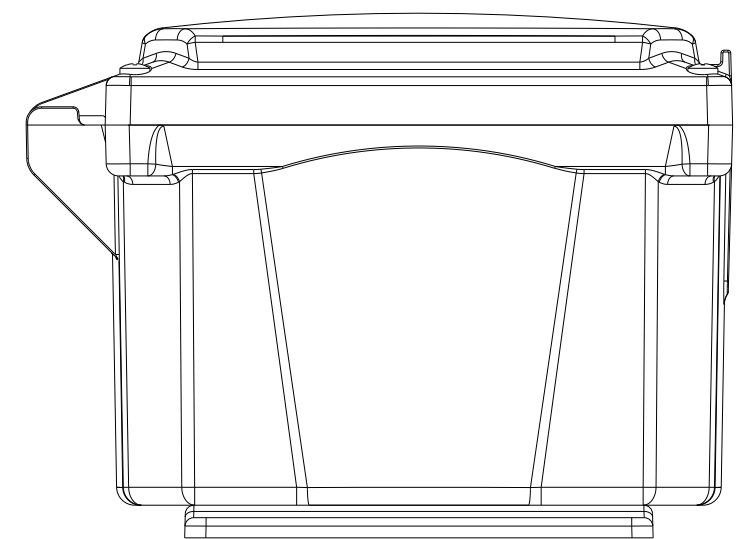
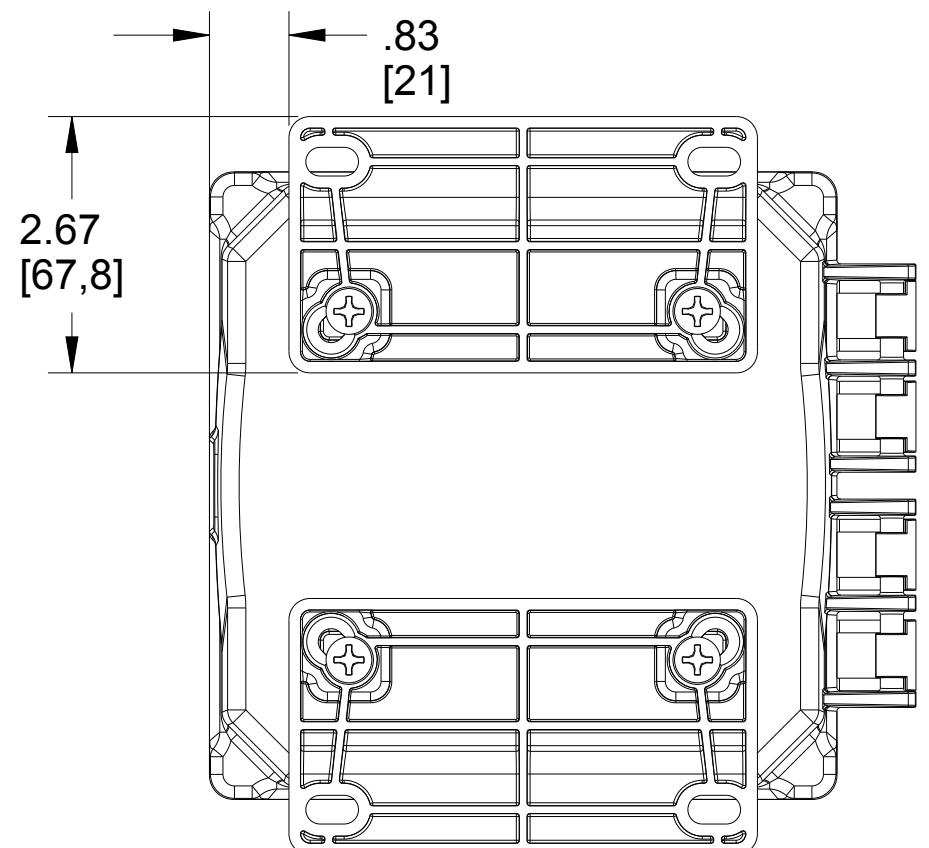
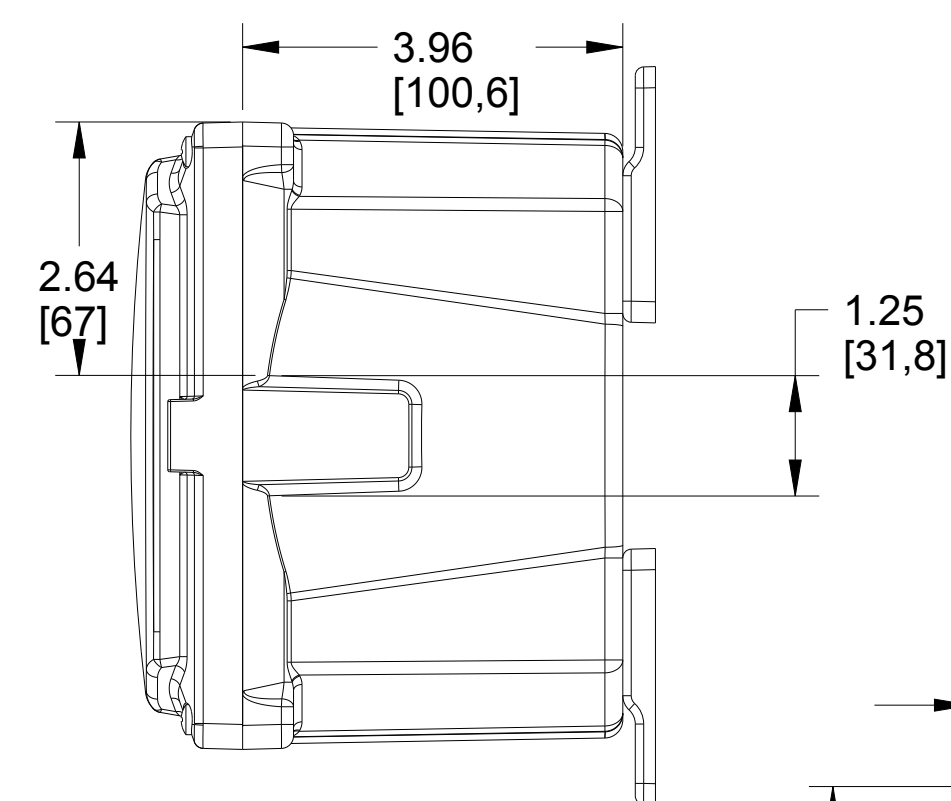
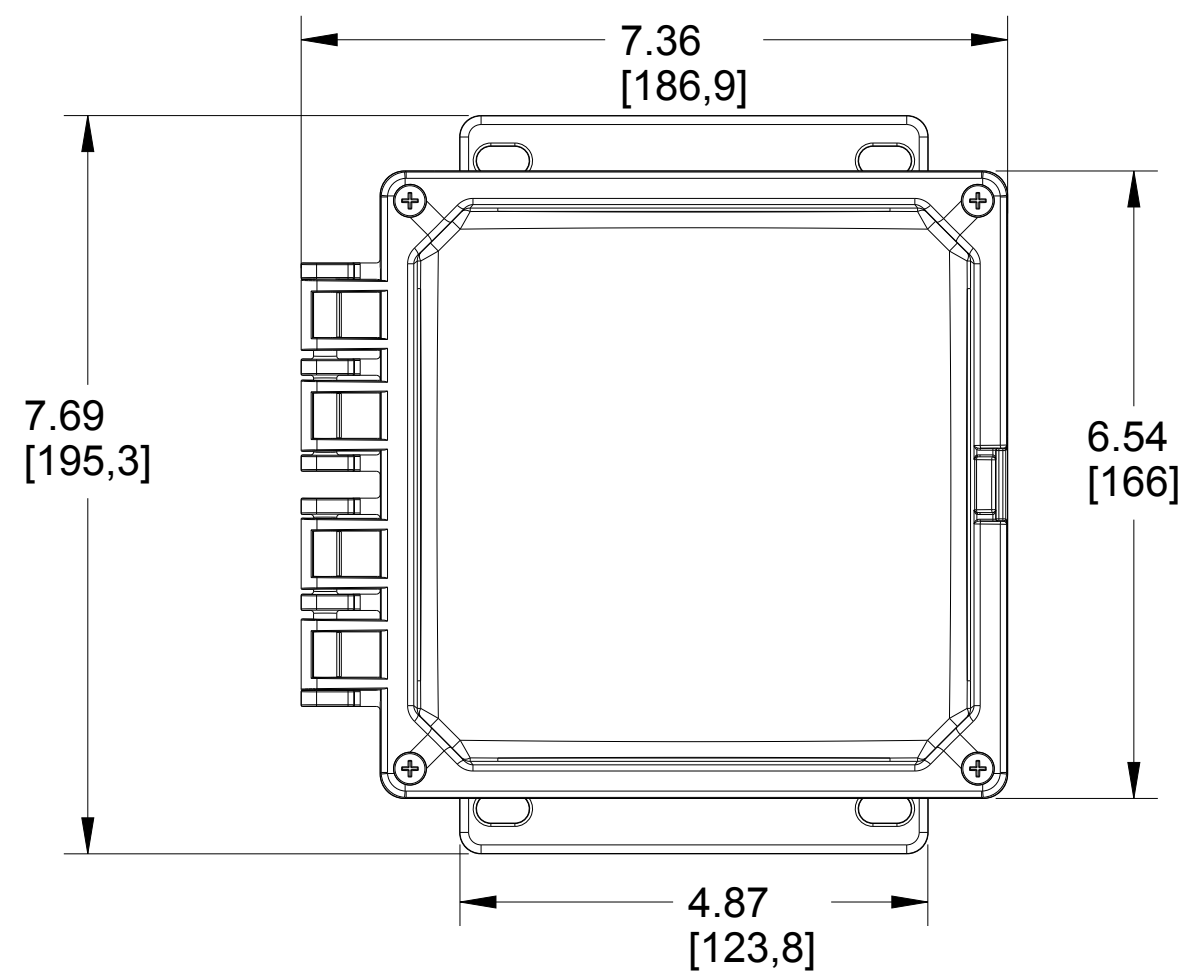
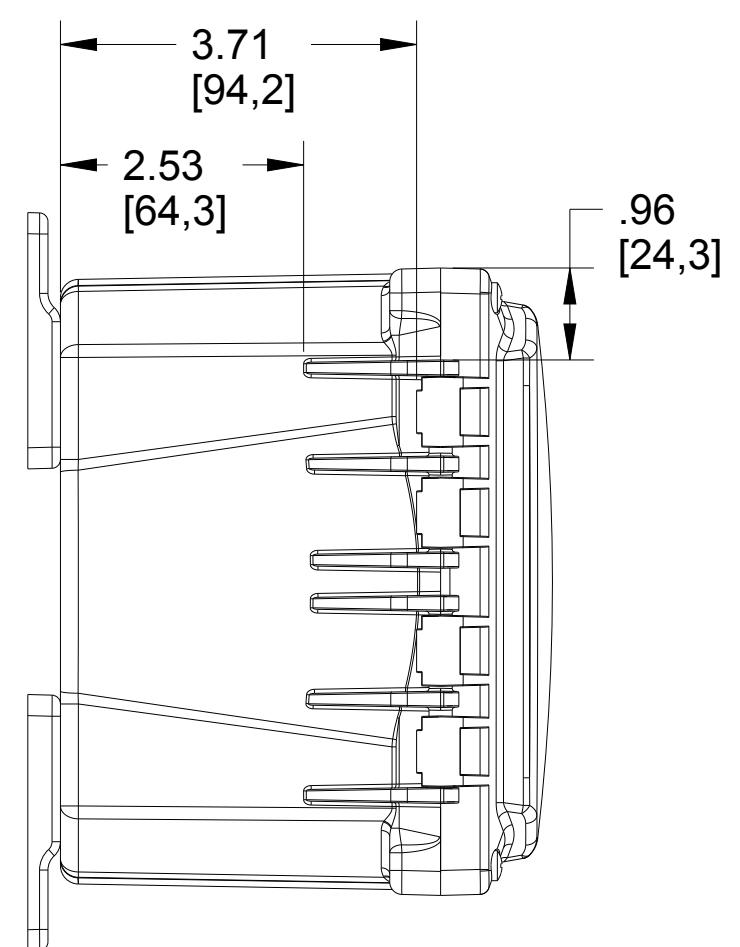
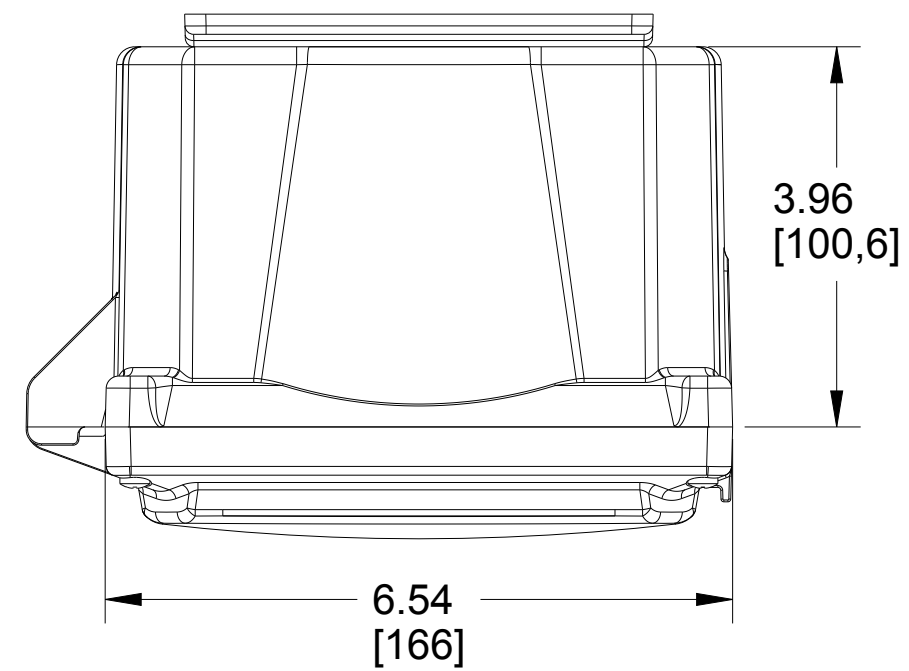
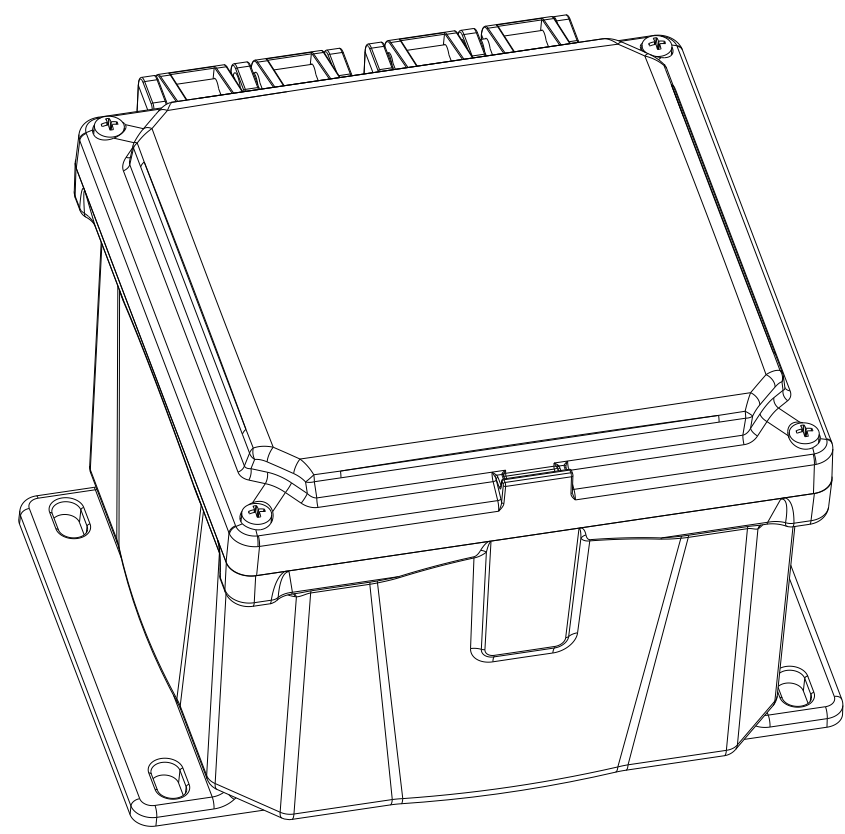
C

B

B

A

A



**INTEGRA ENCLOSURES**  
 MUM INDUSTRIES  
 8989 TYLER BLVD  
 MENTOR, OHIO, U.S.A.  
 (440) 269-8155 FAX (440) 269-8166

SCALE: 0.500 SHEET: 1 of 2 DRAWN BY: T.PAUL

TITLE: PREM-6X6X4-HNG-GRY

DATE: 07.28.2021 DRAWING NUMBER: H6064HF REV: A

UNLESS OTHERWISE SPECIFIED:  
 DIMENSIONS ARE IN INCHES (mm)  
 AND ARE NOMINAL ONLY  
 PROPRIETARY AND CONFIDENTIAL:  
 THE INFORMATION CONTAINED IN THIS  
 DRAWING IS THE SOLE PROPERTY OF  
 INTEGRA ENCLOSURES. ANY  
 REPRODUCTION IN PART OR AS A  
 WHOLE WITHOUT THE WRITTEN  
 PERMISSION OF INTEGRA  
 ENCLOSURES IS PROHIBITED.

4

3

2

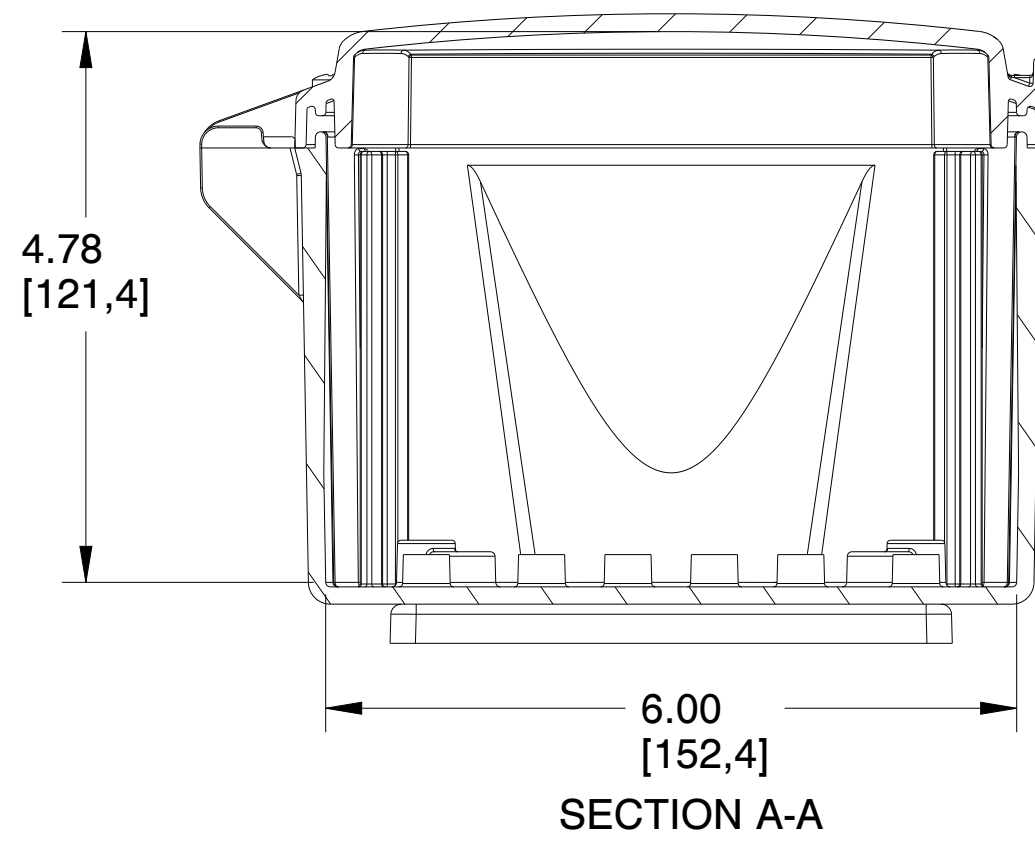
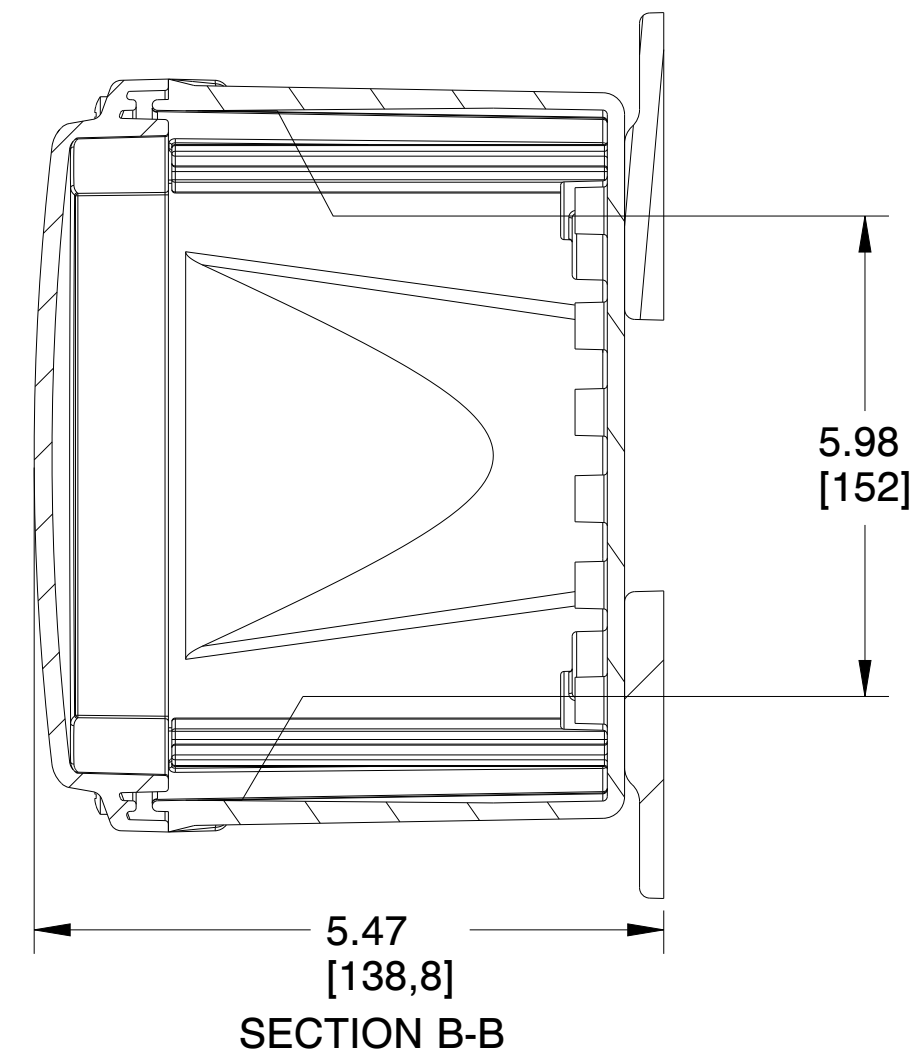
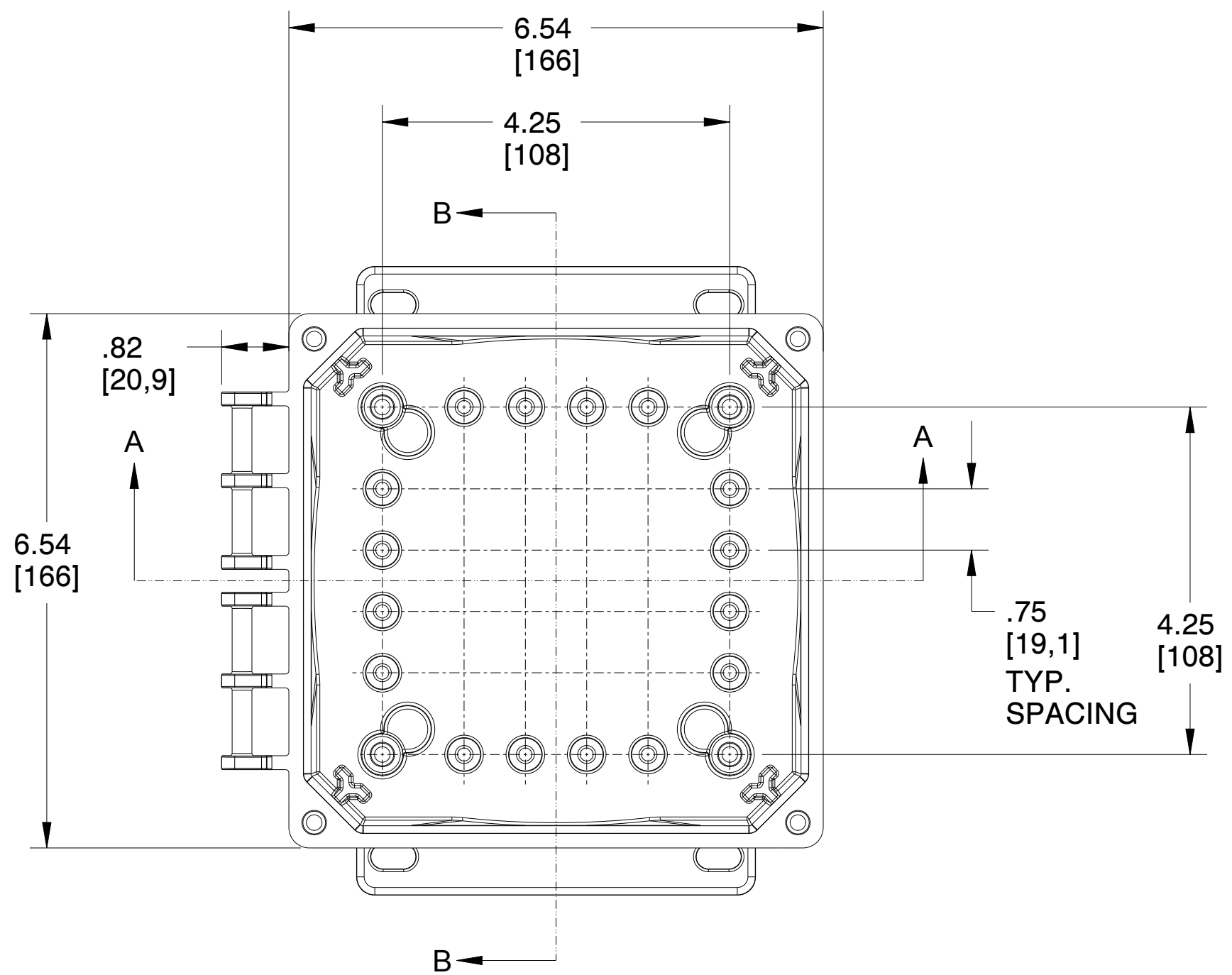
1

4

3

2

1



		MUM INDUSTRIES 8989 TYLER BLVD MENTOR, OHIO, U.S.A. (440) 269-8155 FAX (440) 269-8166	
SCALE	SHEET	DRAWN BY	
0.600	2 of 2	T.PAUL	
TITLE			
PREM-6X6X4-HNG-GRY			
DATE	DRAWING NUMBER	REV	
07.28.2021	H6064HF	A	

UNLESS OTHERWISE SPECIFIED:  
DIMENSIONS ARE IN INCHES (mm)  
AND ARE NOMINAL ONLY

PROPRIETARY AND CONFIDENTIAL:  
THE INFORMATION CONTAINED IN THIS  
DRAWING IS THE SOLE PROPERTY OF  
INTEGRA ENCLOSURES. ANY  
REPRODUCTION IN PART OR AS A  
WHOLE WITHOUT THE WRITTEN  
PERMISSION OF INTEGRA  
ENCLOSURES IS PROHIBITED.

4

3

2

1