

4

3

2

1

D

D

C

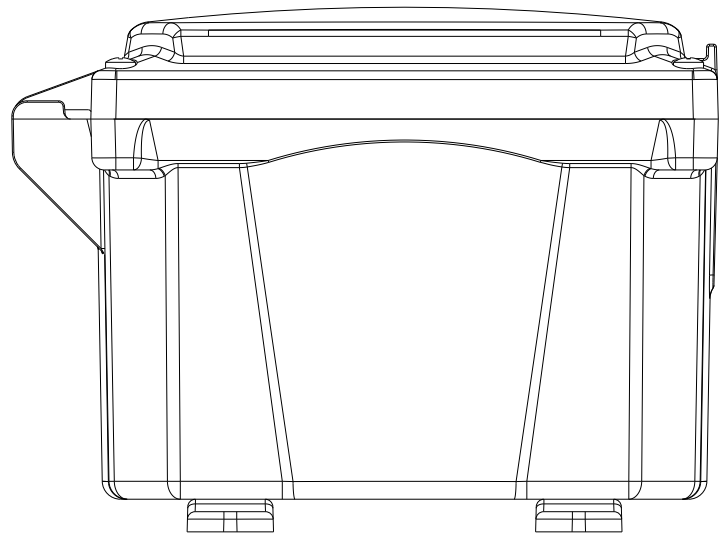
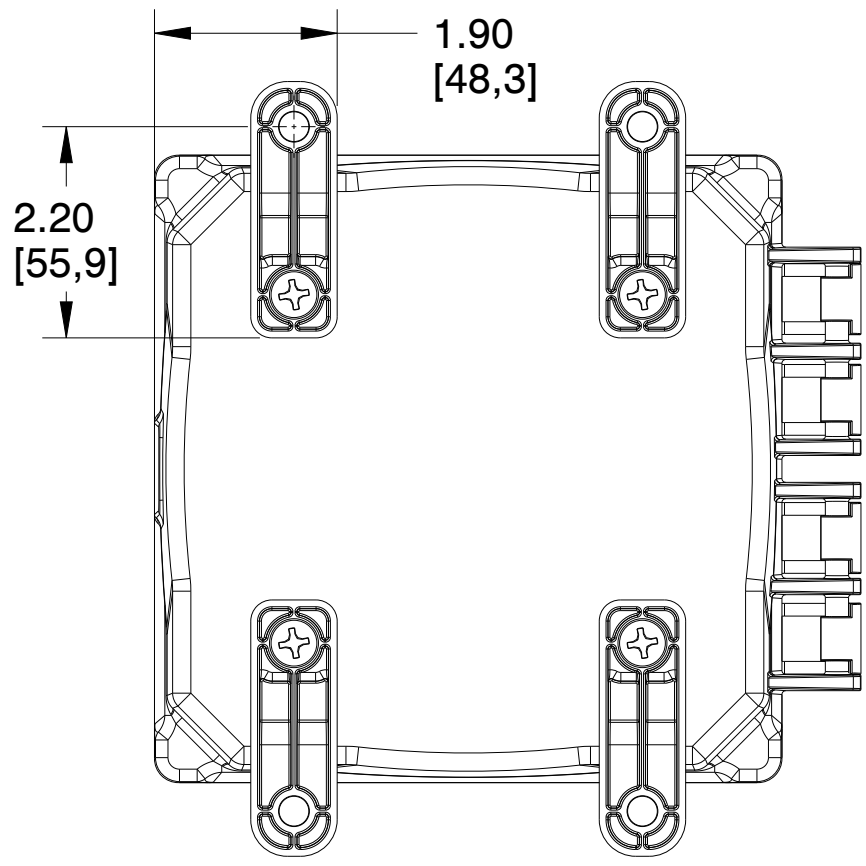
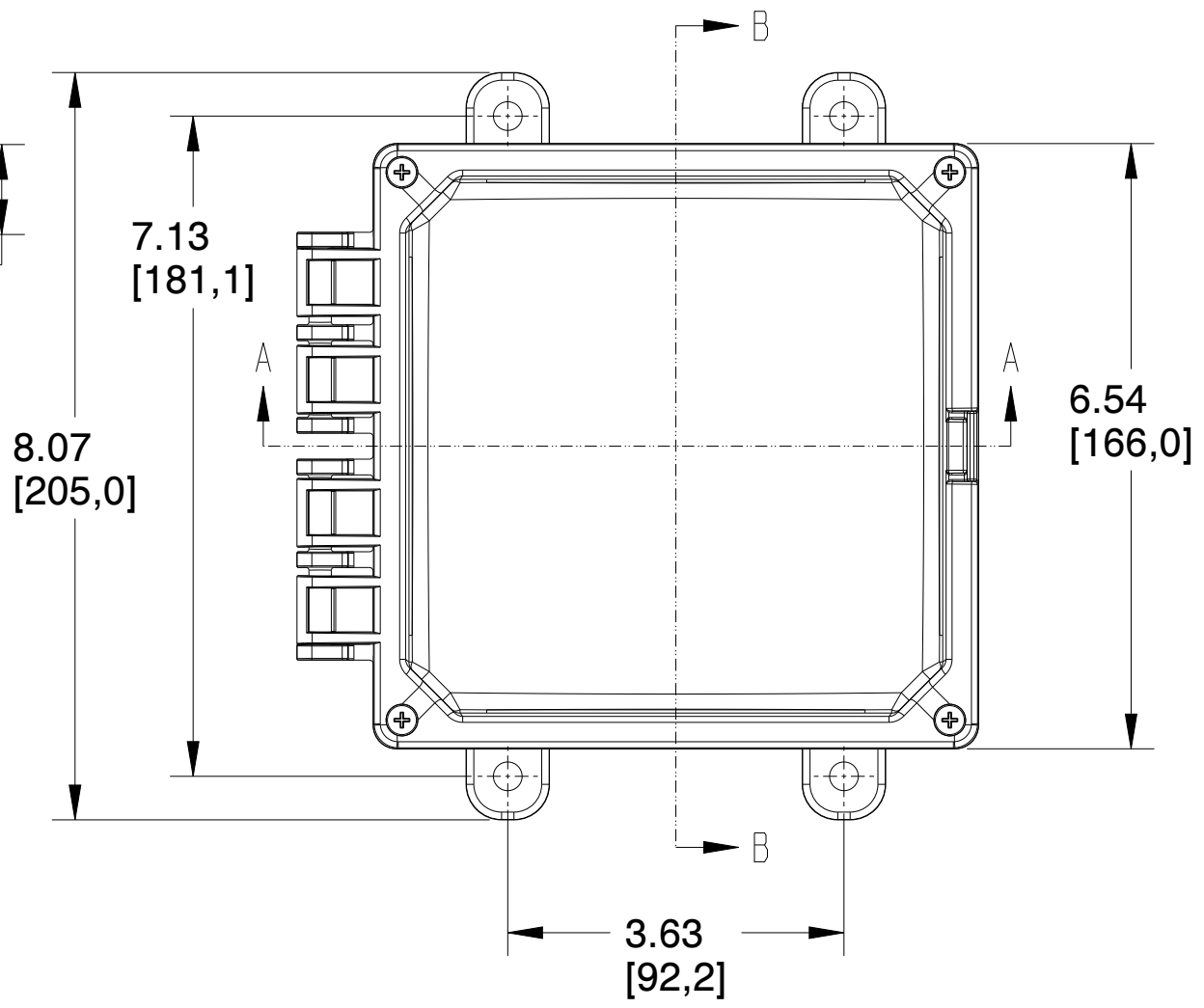
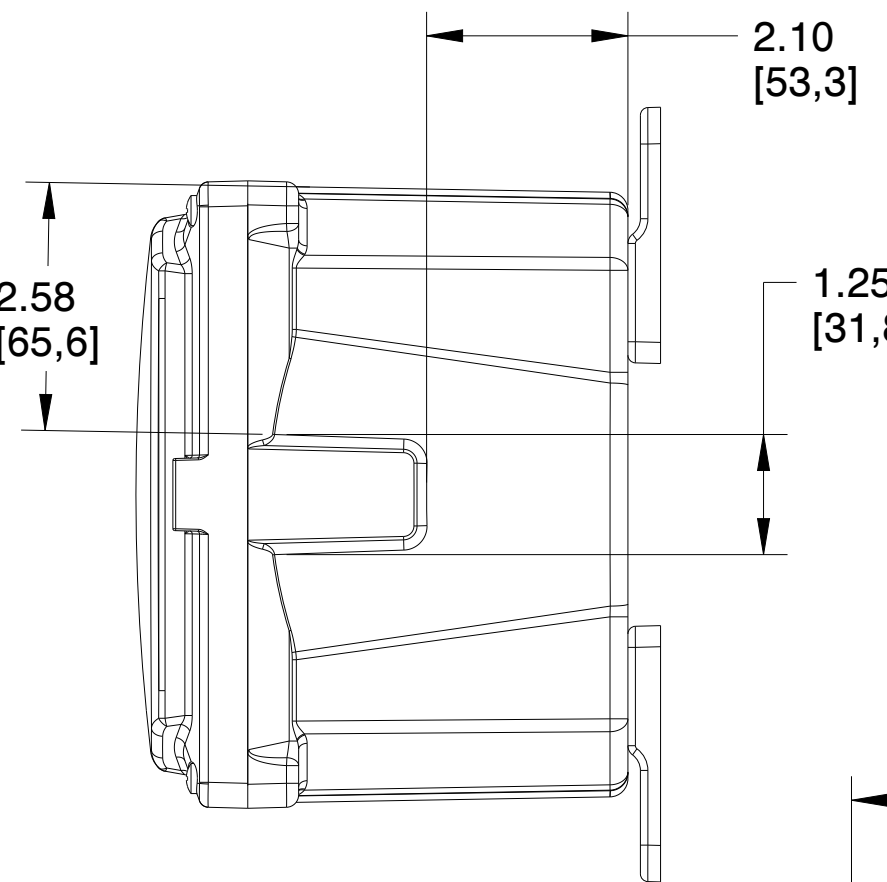
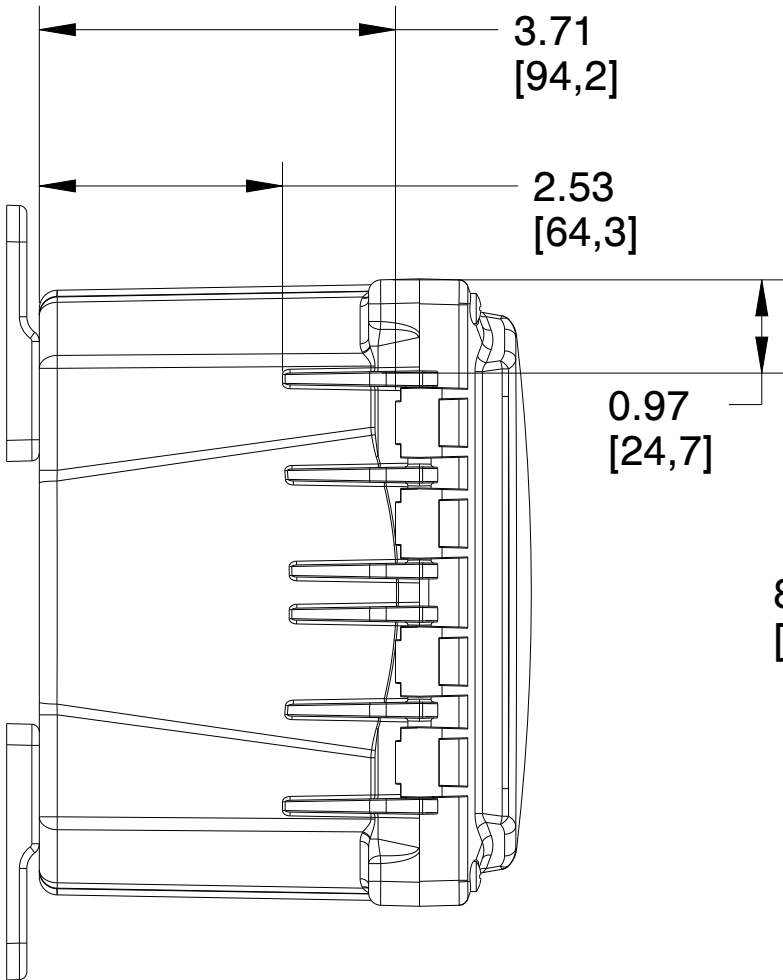
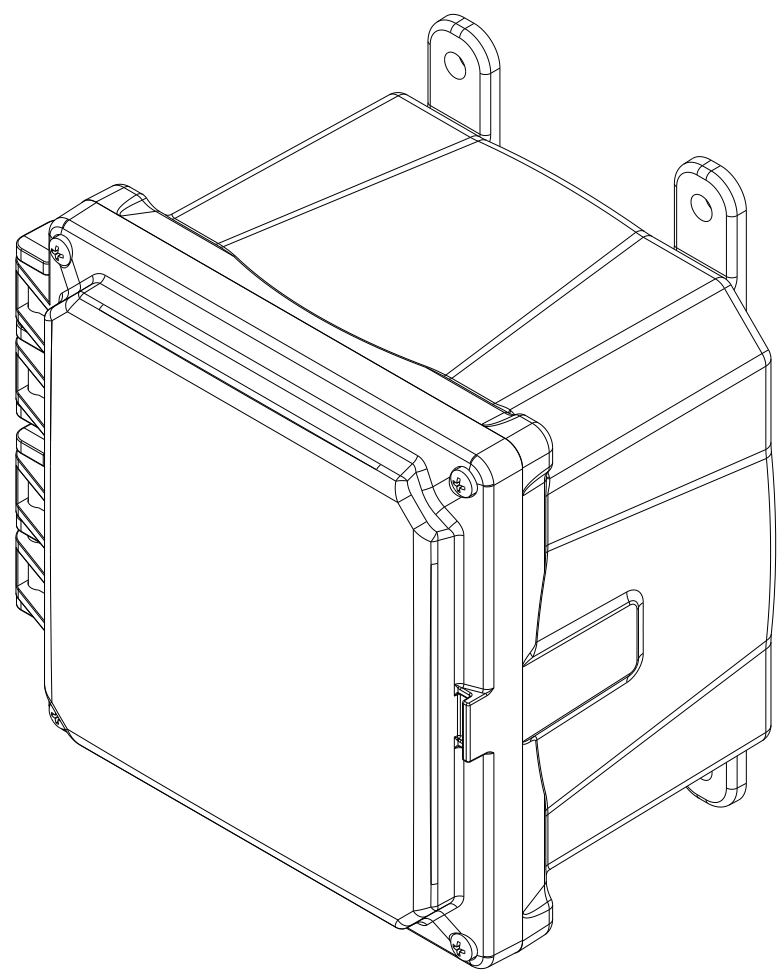
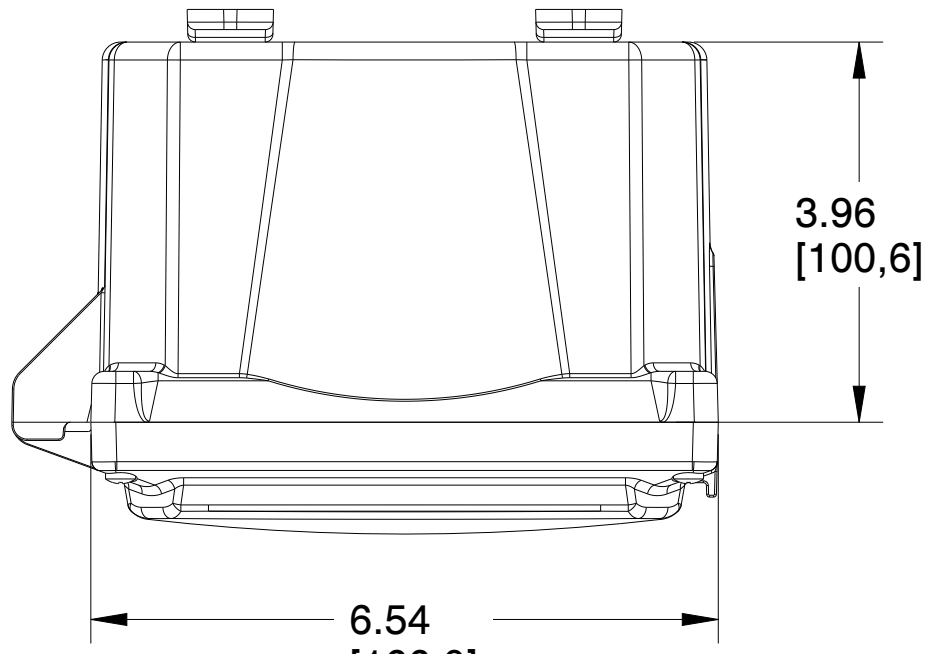
C

B

B

A

A



		MUM INDUSTRIES 8989 TYLER BLVD MENTOR, OHIO, U.S.A. (440) 269-8155 FAX (440) 269-8166	
SCALE	SHEET	DRAWN BY	
0.500	1 of 2	T.PAUL	
TITLE			
PREM-6X6X4-HNG			
DATE	DRAWING NUMBER	REV	
7.13.2021	H6064H	A	

UNLESS OTHERWISE SPECIFIED, DIMENSIONS ARE IN INCHES (mm) AND ARE NOMINAL ONLY.  
 PROPRIETARY AND CONFIDENTIAL: THE INFORMATION CONTAINED IN THIS DRAWING IS THE SOLE PROPERTY OF INTEGRA ENCLOSURES. ANY REPRODUCTION IN PART OR AS A WHOLE WITHOUT THE WRITTEN PERMISSION OF INTEGRA ENCLOSURES IS PROHIBITED.

4

3

2

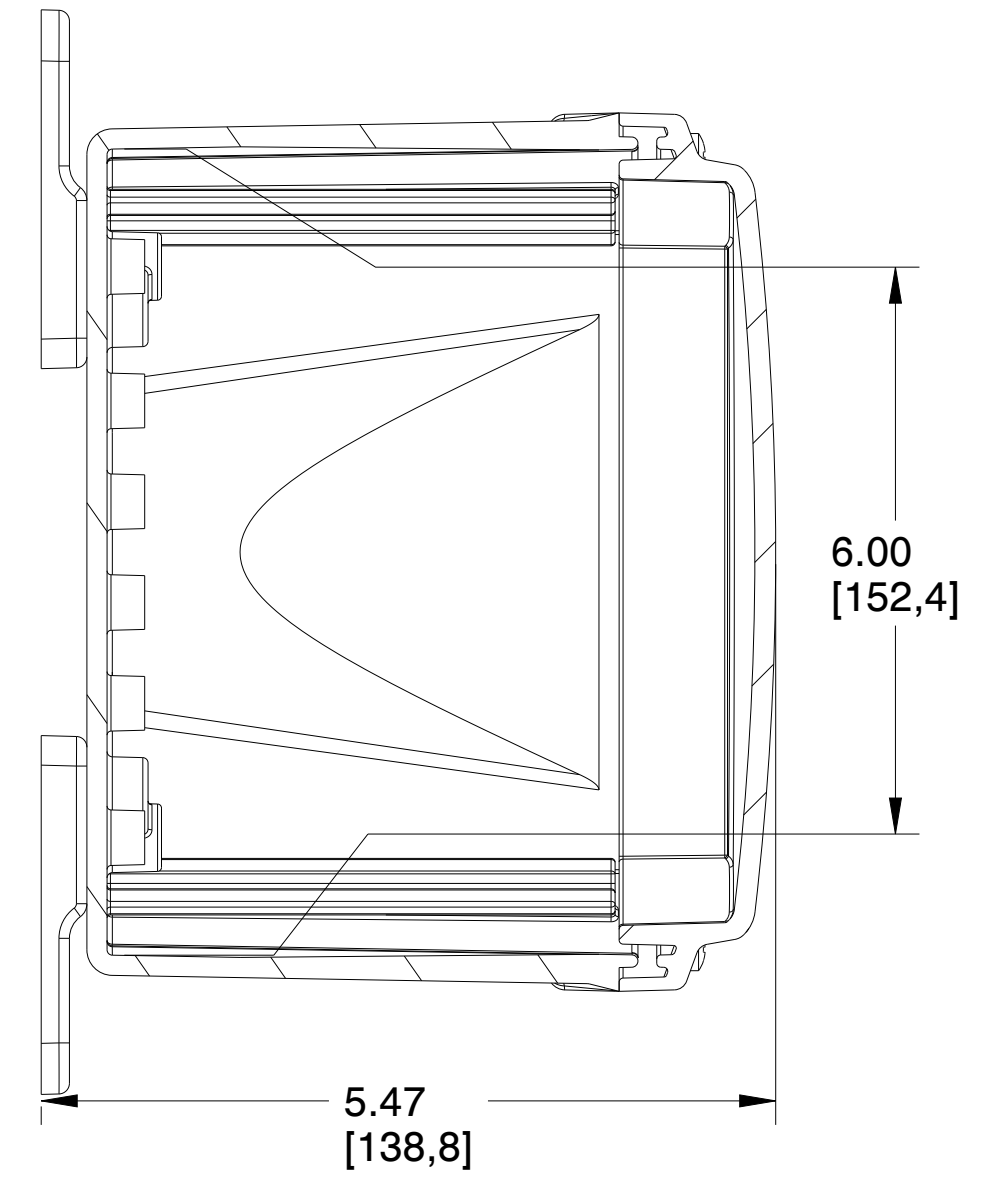
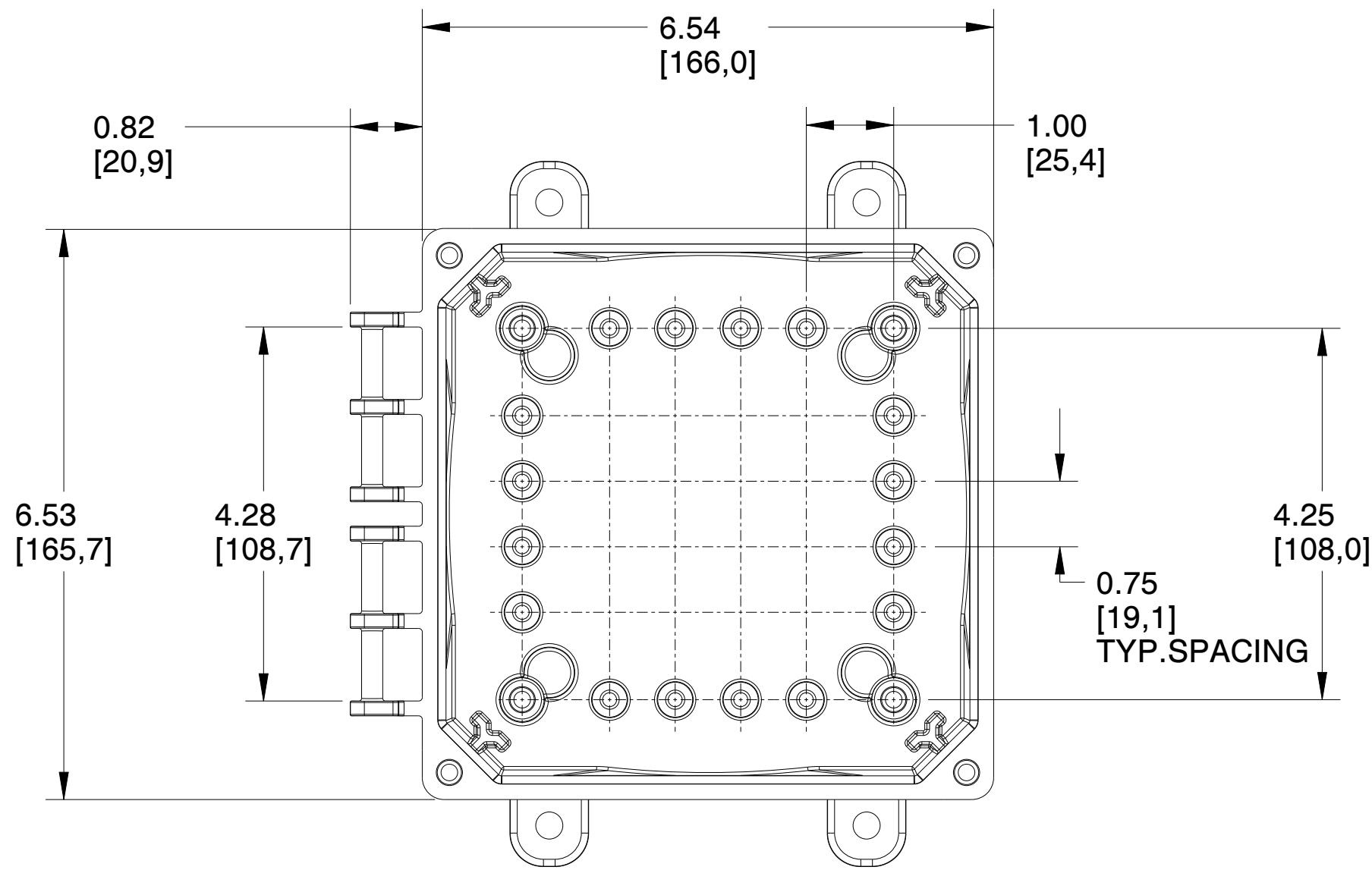
1

4

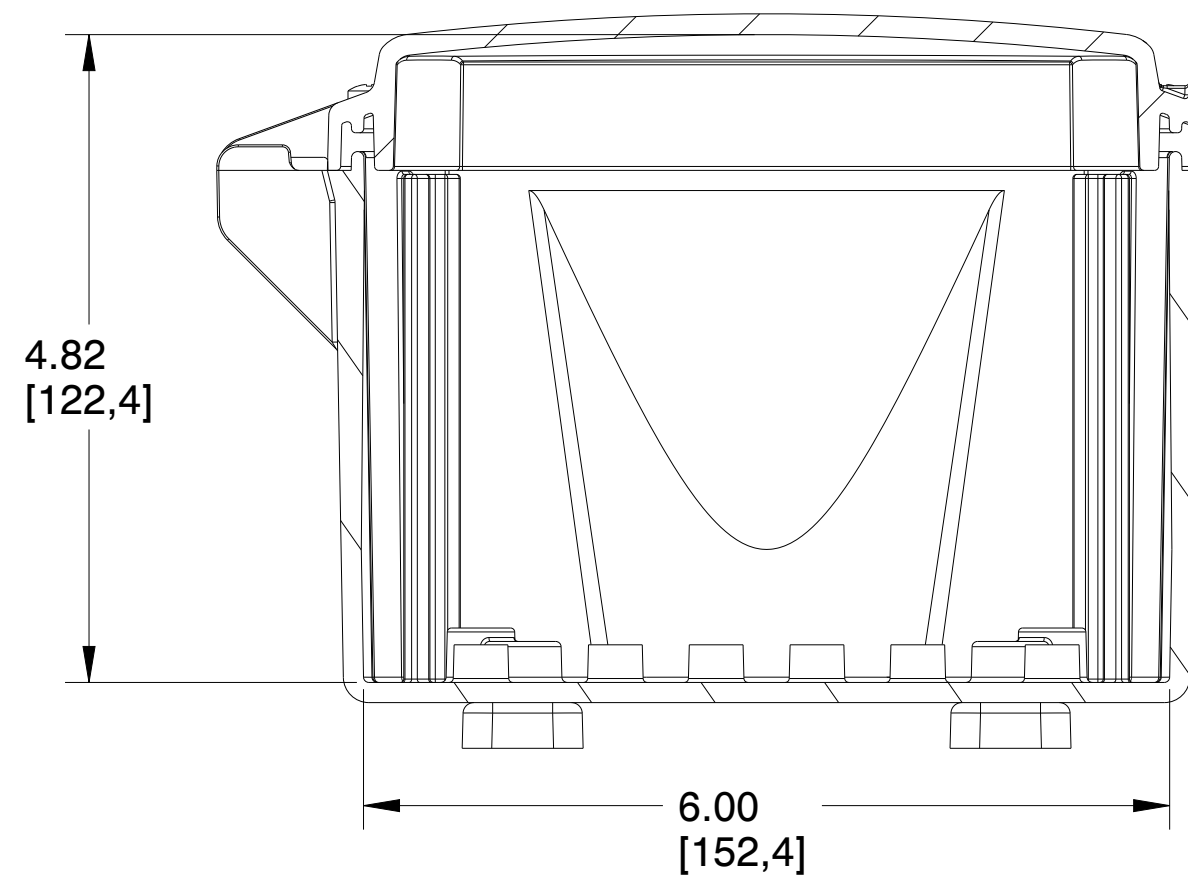
3

2

1



SECTION B-B



SECTION A-A

		MUM INDUSTRIES 8989 TYLER BLVD MENTOR, OHIO, U.S.A. (440) 269-8155 FAX (440) 269-8166	
SCALE 0.600	SHEET 2 of 2	DRAWN BY T.PAUL	
TITLE PREM-6X6X4-HNG			
DATE 7.13.2021	DRAWING NUMBER H6064H	REV A	

UNLESS OTHERWISE SPECIFIED:  
DIMENSIONS ARE IN INCHES (mm)  
AND ARE NOMINAL ONLY

PROPRIETARY AND CONFIDENTIAL:  
THE INFORMATION CONTAINED IN THIS  
DRAWING IS THE SOLE PROPERTY OF  
INTEGRA ENCLOSURES. ANY  
REPRODUCTION IN PART OR AS A  
WHOLE WITHOUT THE WRITTEN  
PERMISSION OF INTEGRA  
ENCLOSURES IS PROHIBITED.

4

3

2

1