

4

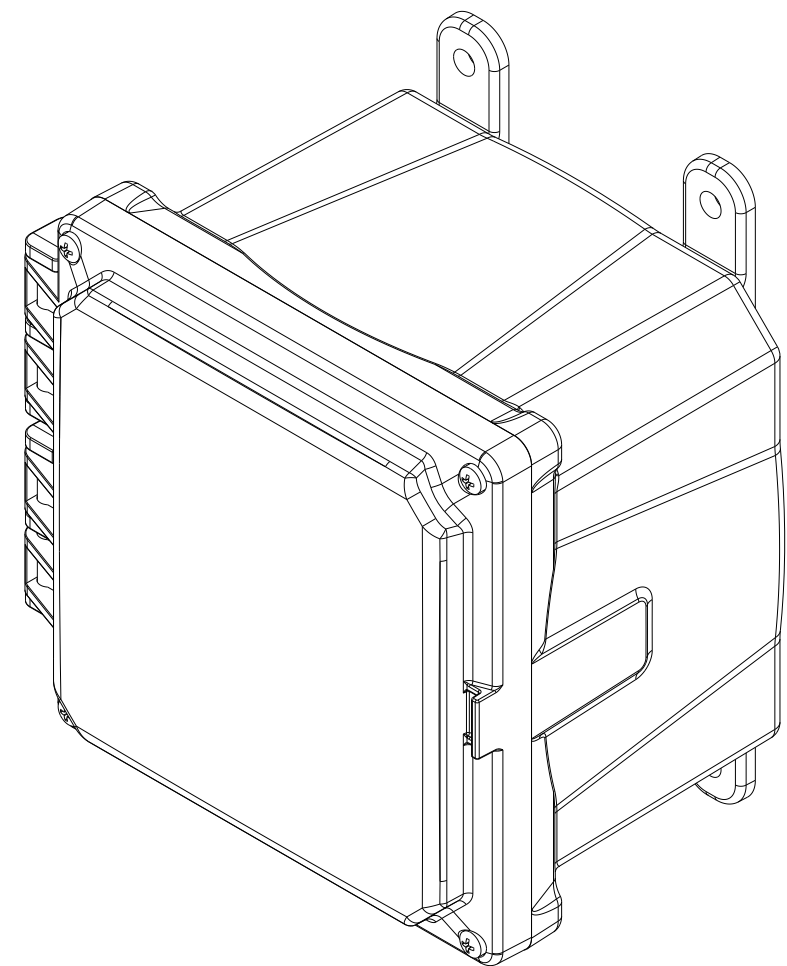
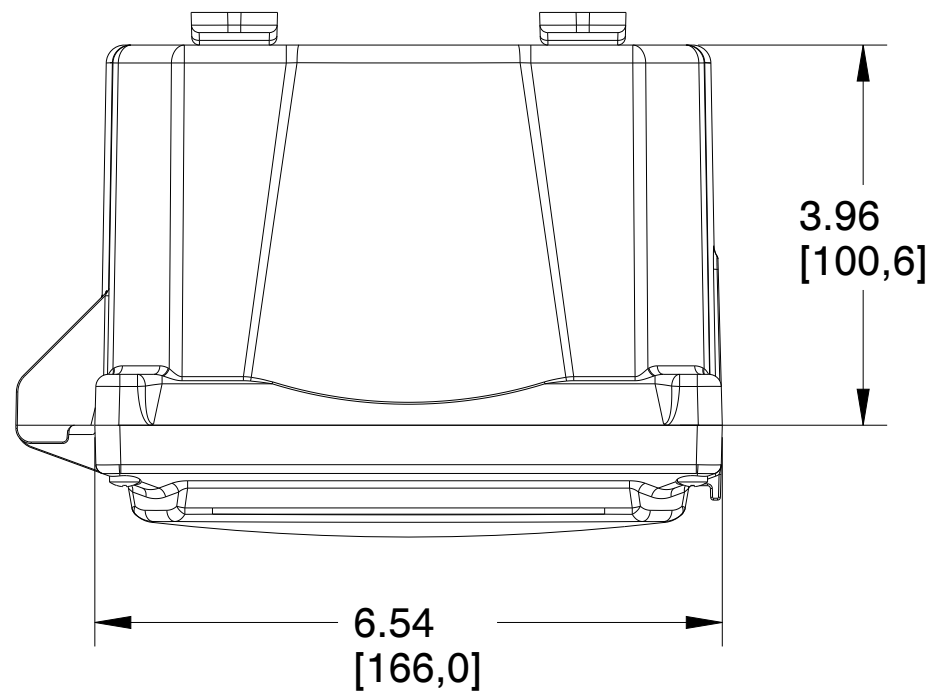
3

2

1

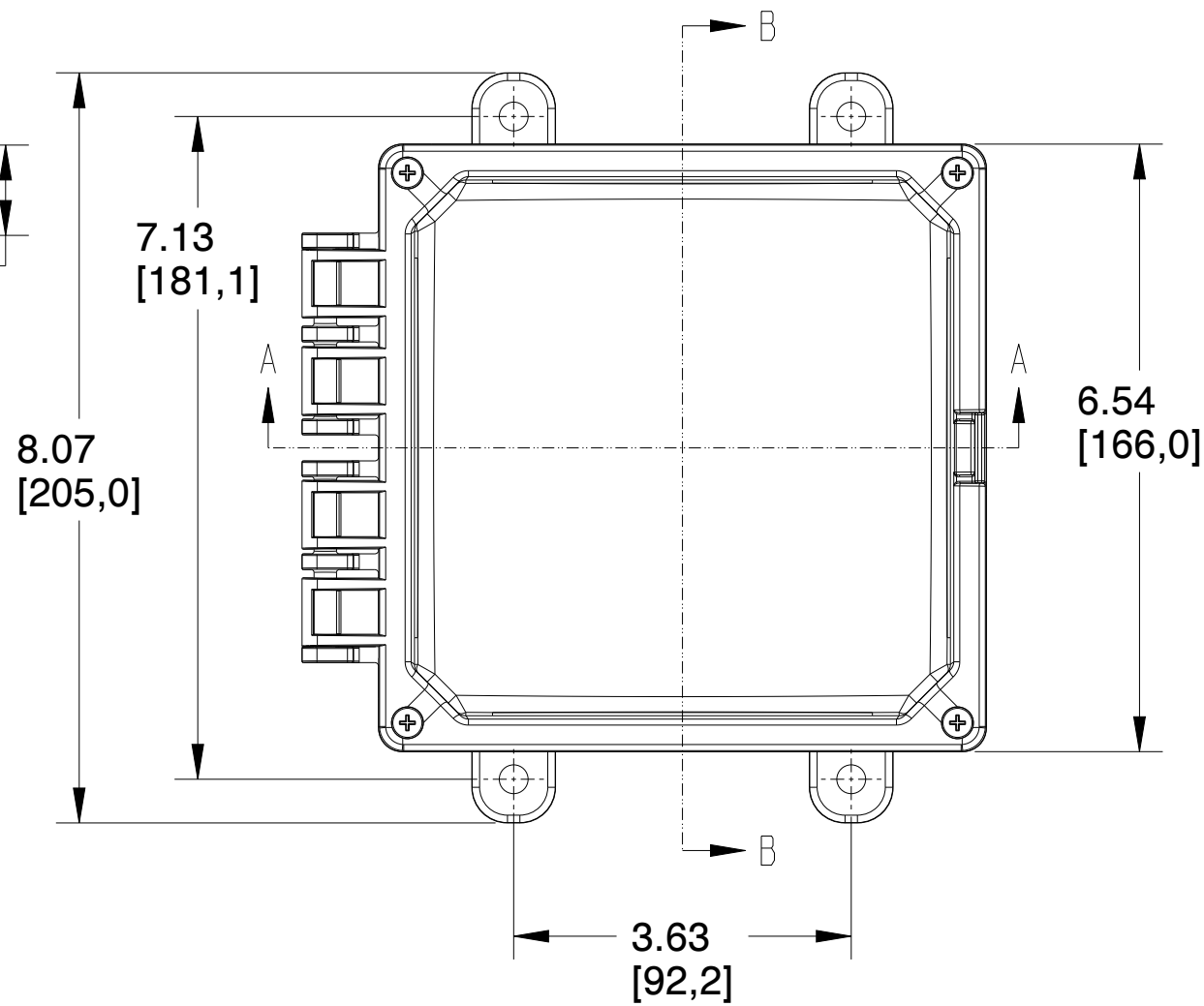
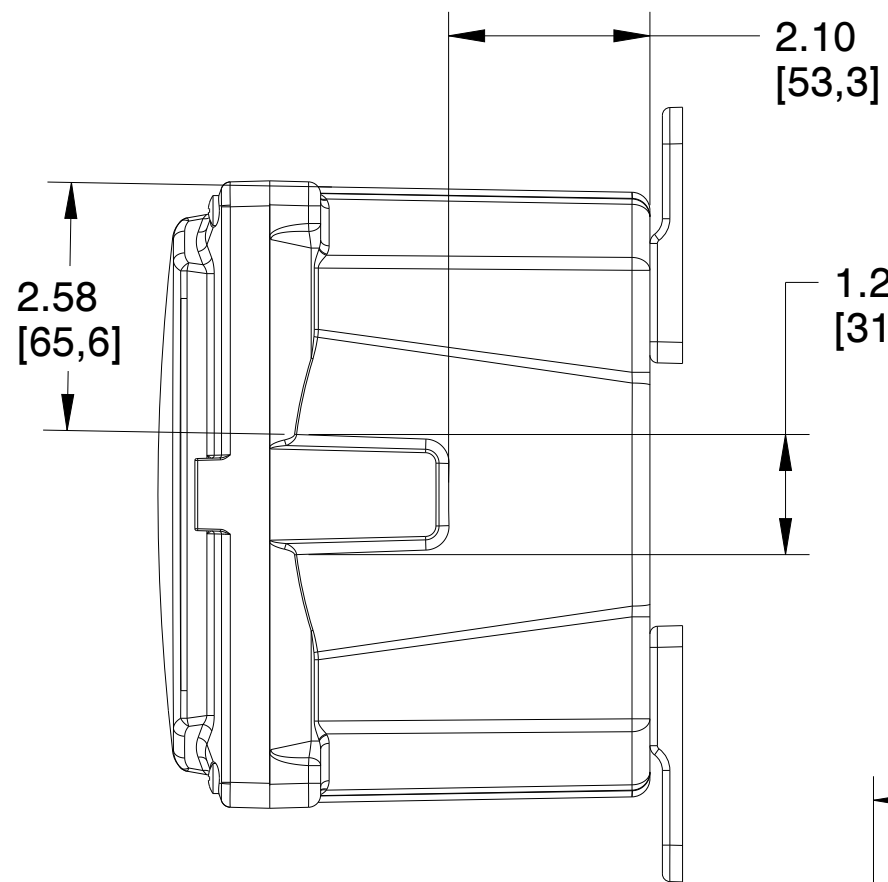
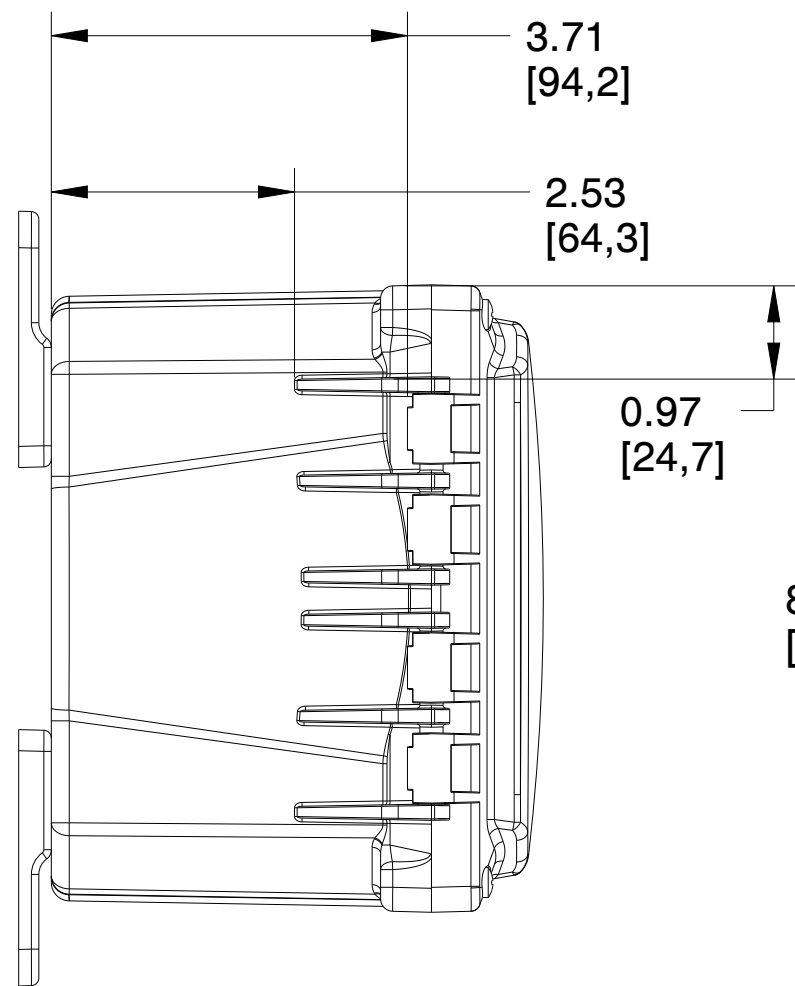
D

D



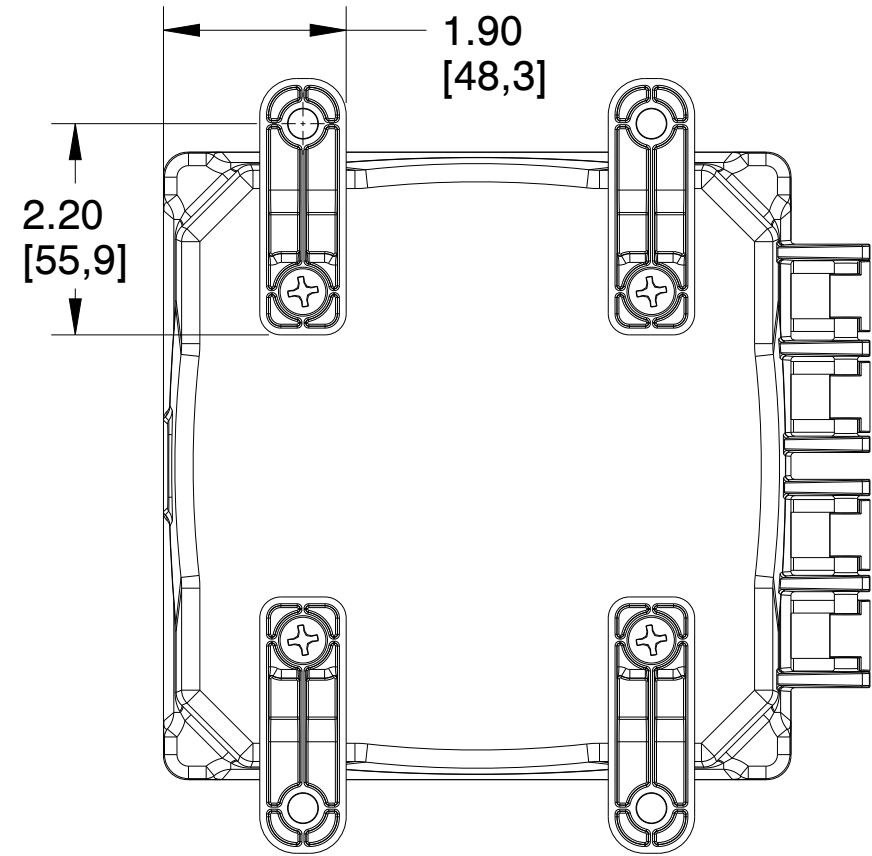
C

C



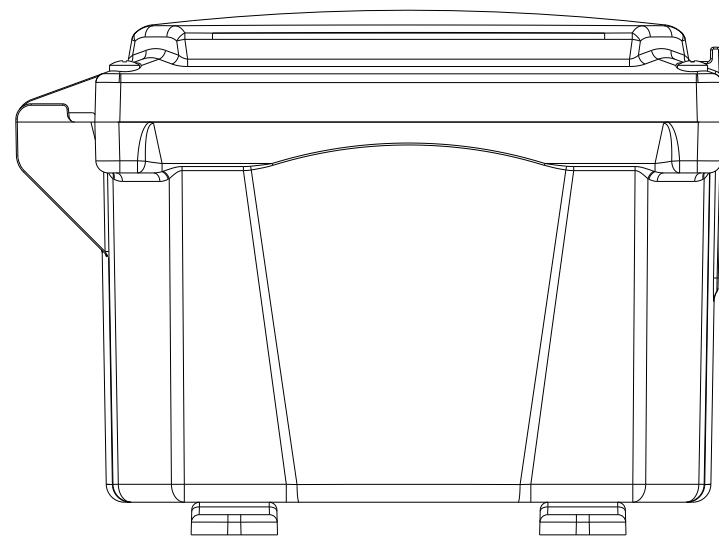
B

B



A

A



		MUM INDUSTRIES 8989 TYLER BLVD MENTOR, OHIO, U.S.A. (440) 269-8155 FAX (440) 269-8166	
SCALE	SHEET	DRAWN BY	
0.500	1 of 2	T.PAUL	
TITLE			
PREM-6X6X4-HNG			
DATE	DRAWING NUMBER	REV	
7.13.2021	H6064H	A	

UNLESS OTHERWISE SPECIFIED, DIMENSIONS ARE IN INCHES (mm) AND ARE NOMINAL ONLY.
 PROPRIETARY AND CONFIDENTIAL: THE INFORMATION CONTAINED IN THIS DRAWING IS THE SOLE PROPERTY OF INTEGRA ENCLOSURES. ANY REPRODUCTION IN PART OR AS A WHOLE WITHOUT THE WRITTEN PERMISSION OF INTEGRA ENCLOSURES IS PROHIBITED.

4

3

2

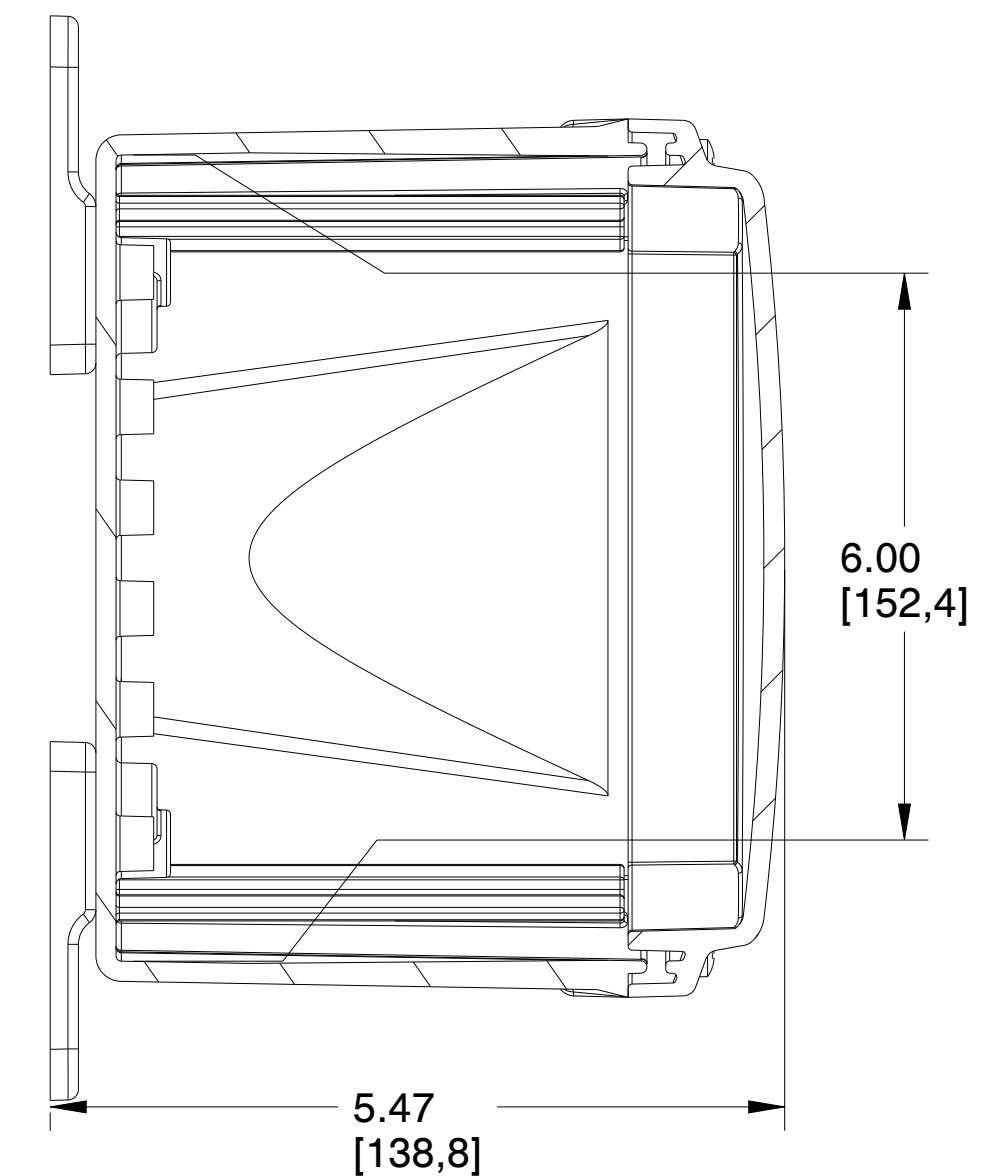
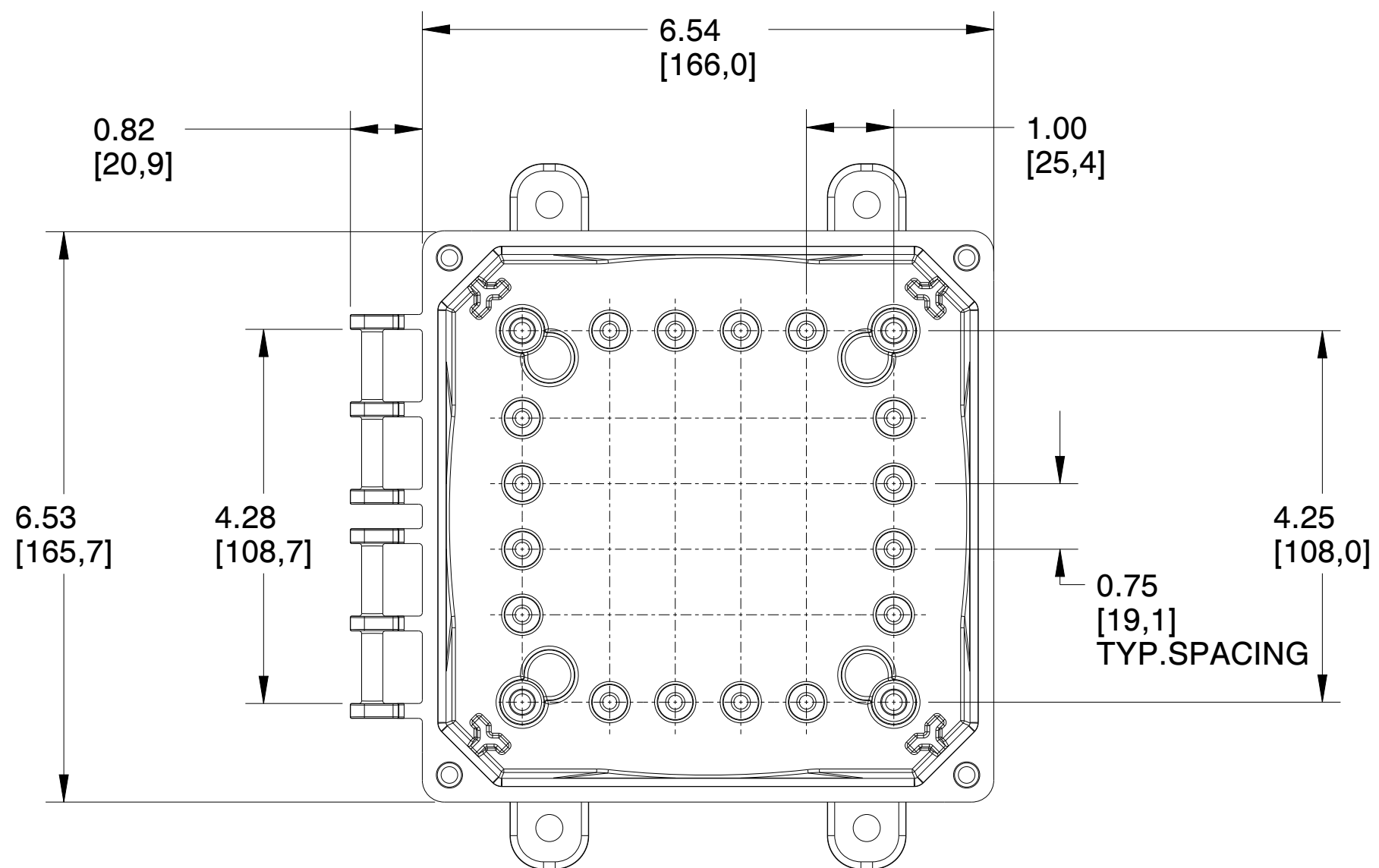
1

4

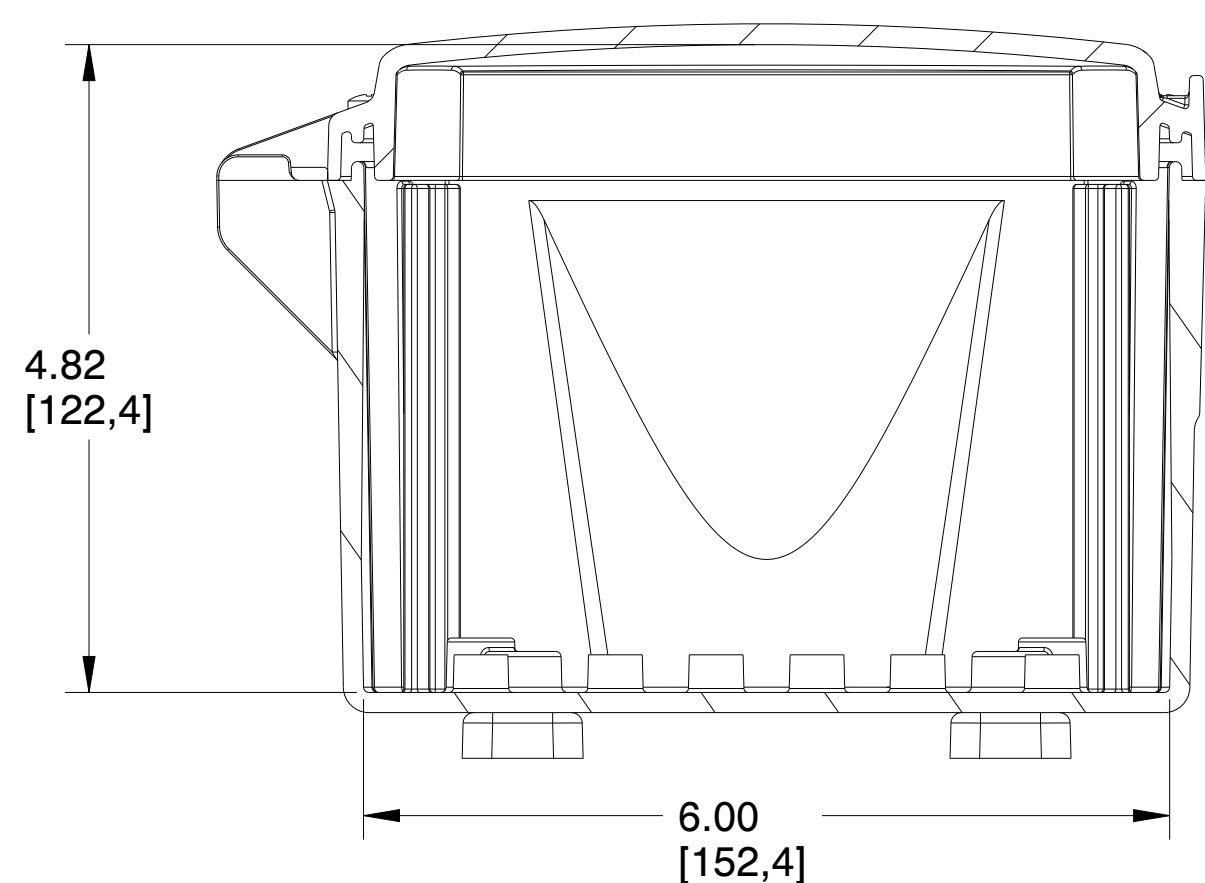
3

2

1



SECTION B-B



SECTION A-A

		MUM INDUSTRIES 8989 TYLER BLVD MENTOR, OHIO, U.S.A. (440) 269-8155 FAX (440) 269-8166		
		SCALE	SHEET	DRAWN BY
0.600	2 of 2	T.PAUL		
TITLE				
PREM-6X6X4-HNG				
DATE		DRAWING NUMBER		REV
7.13.2021		H6064H		A

UNLESS OTHERWISE SPECIFIED:
 DIMENSIONS ARE IN INCHES (mm)
 AND ARE NOMINAL ONLY

PROPRIETARY AND CONFIDENTIAL:
 THE INFORMATION CONTAINED IN THIS
 DRAWING IS THE SOLE PROPERTY OF
 INTEGRA ENCLOSURES. ANY
 REPRODUCTION IN PART OR AS A
 WHOLE WITHOUT THE WRITTEN
 PERMISSION OF INTEGRA
 ENCLOSURES IS PROHIBITED.

4

3

2

1