

4

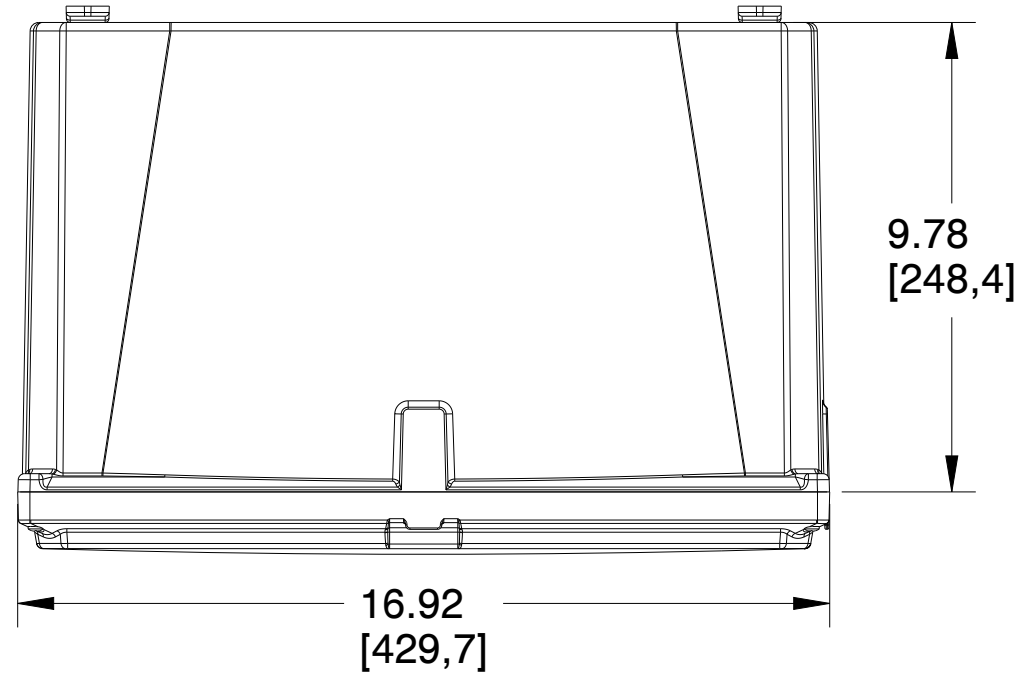
3

2

1

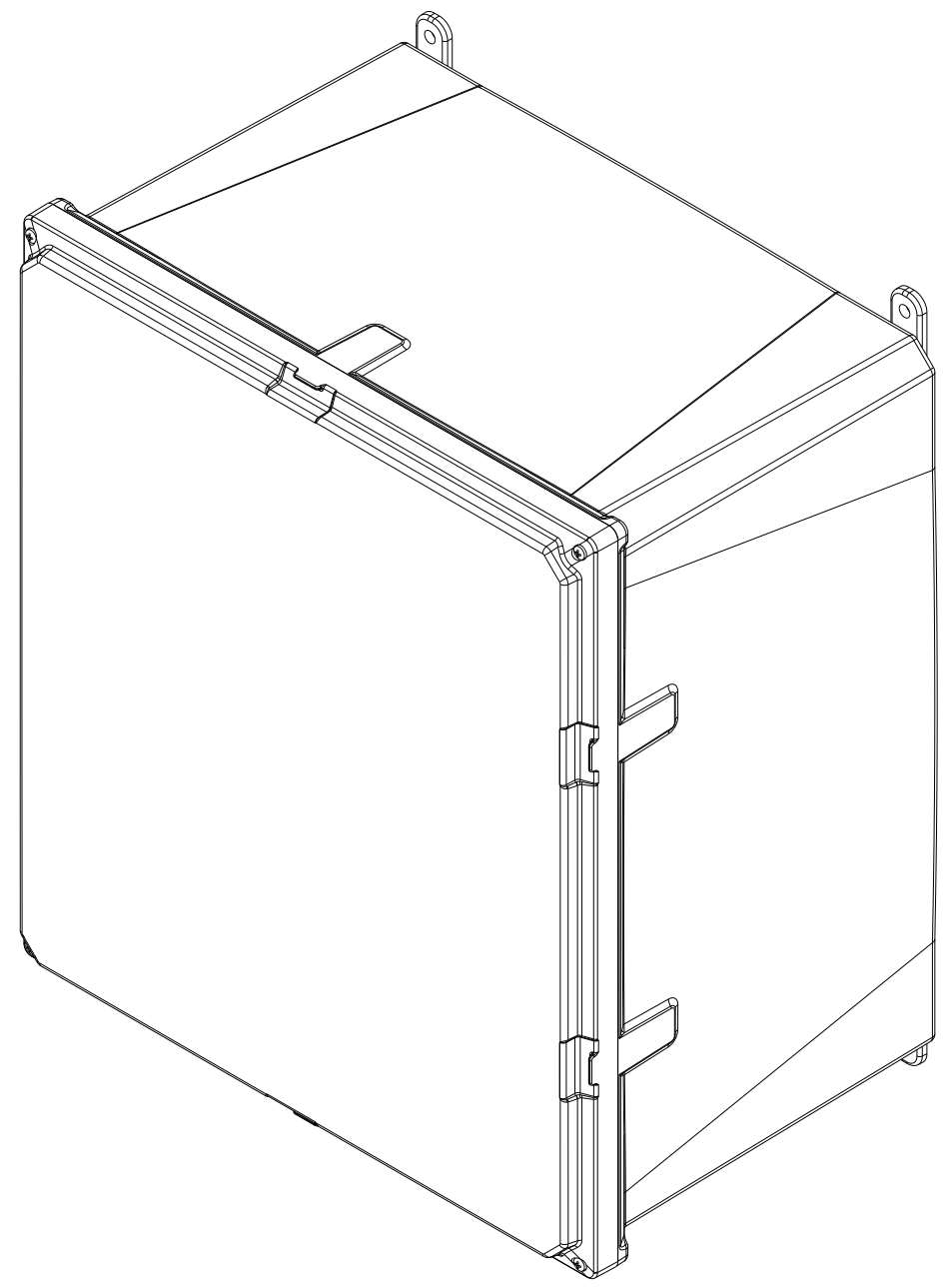
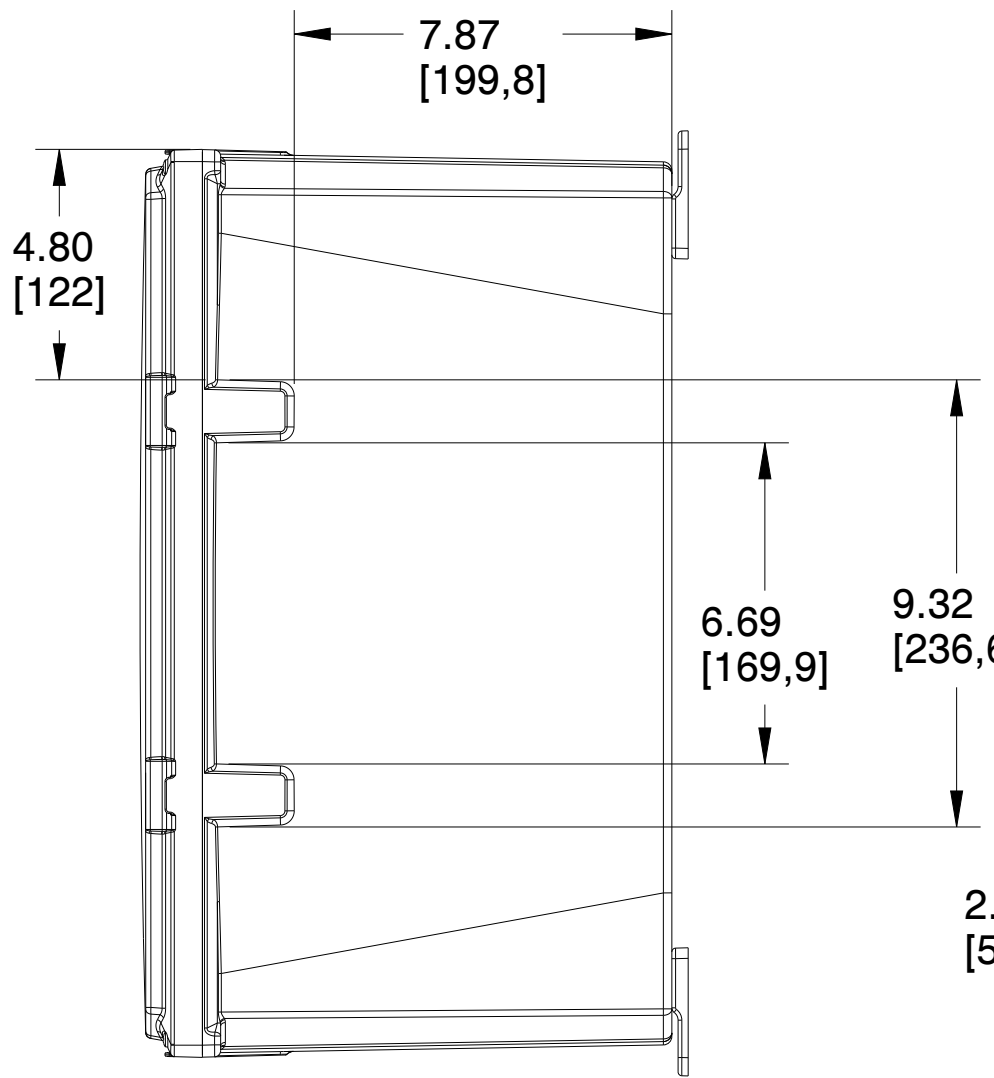
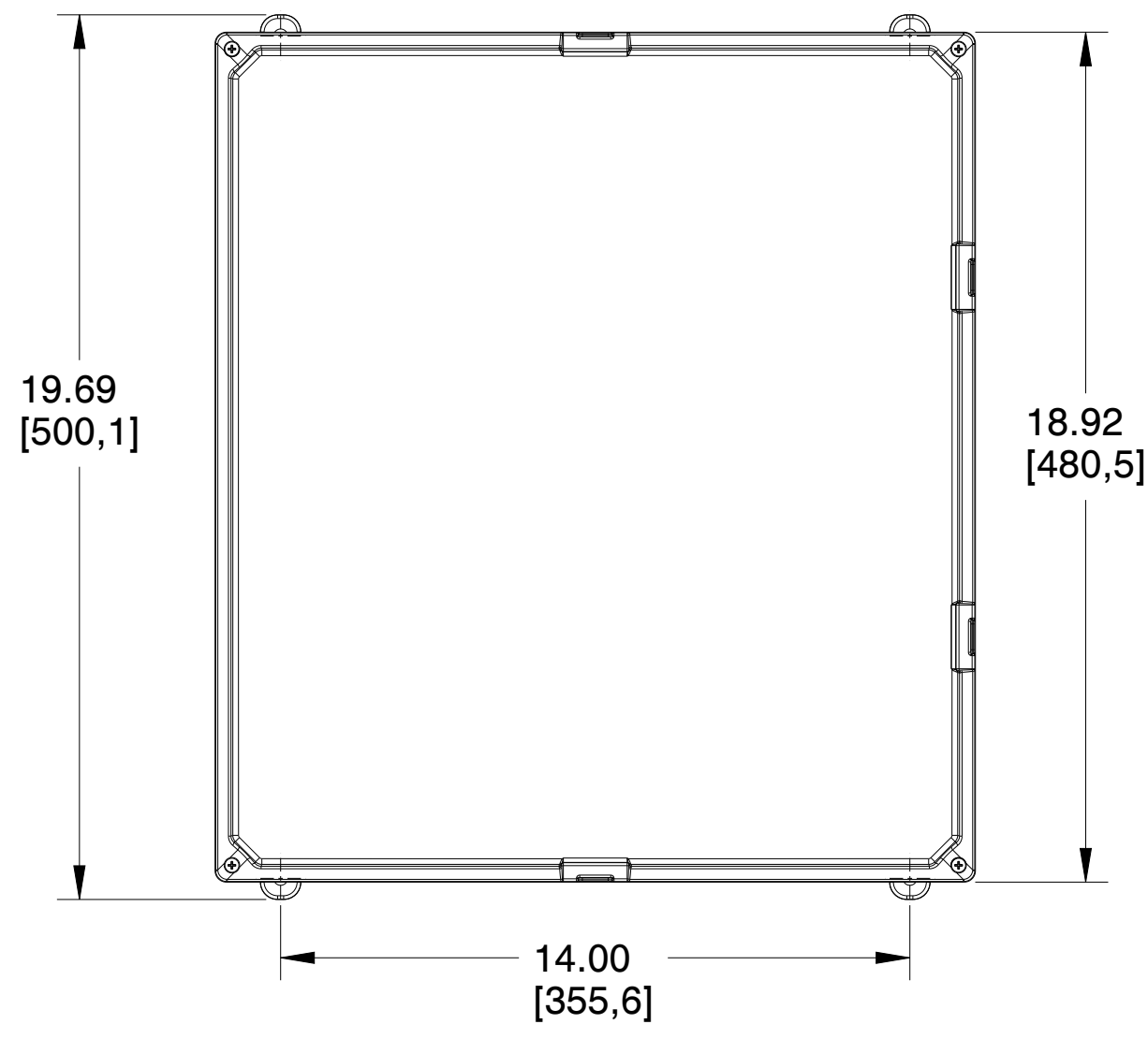
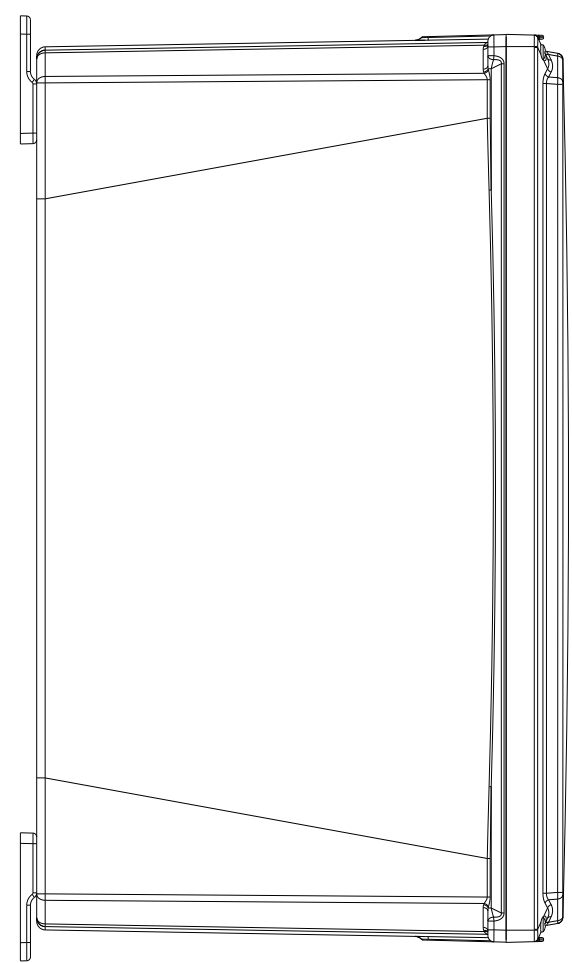
D

D



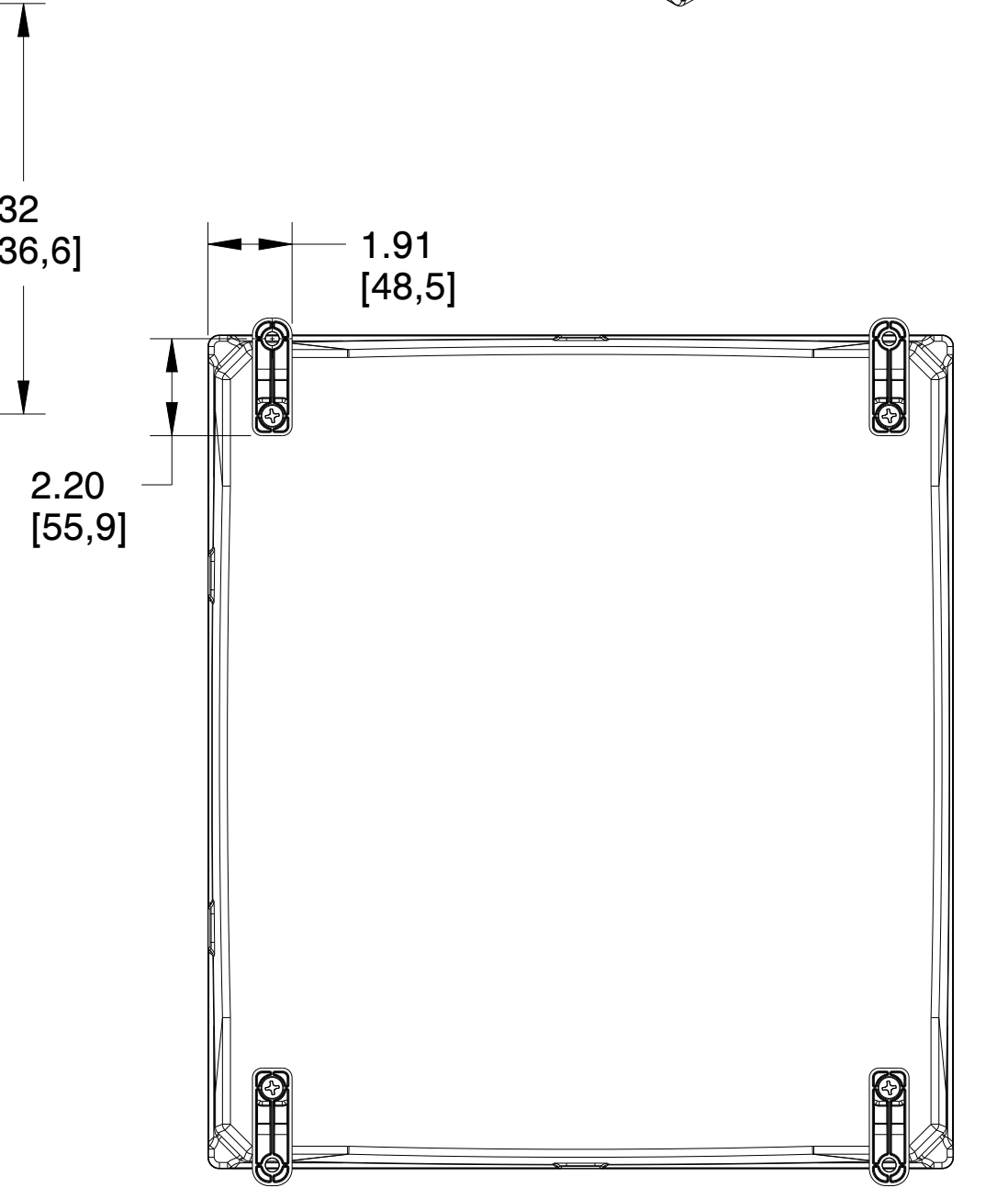
C

C



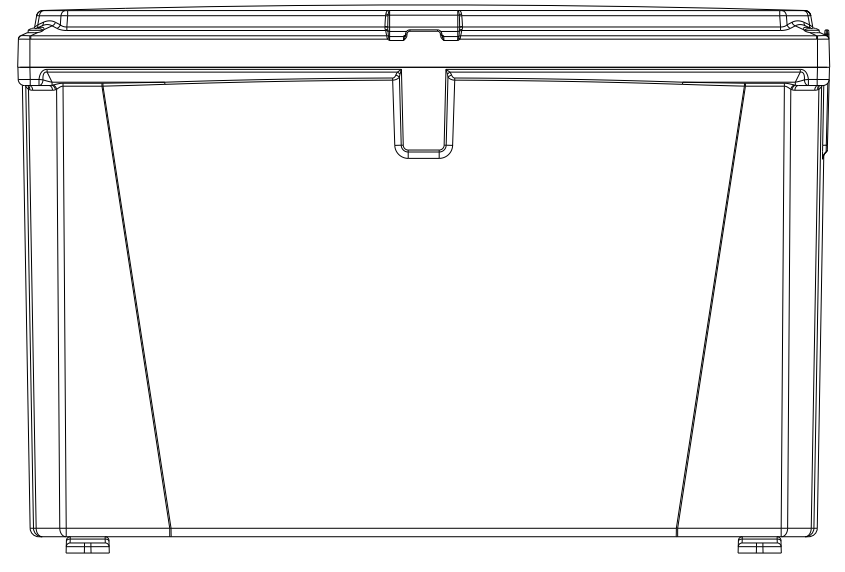
B

B



A

A



4

3

2

1

INTEGRA ENCLOSURES
 MUM INDUSTRIES
 8989 TYLER BLVD
 MENTOR, OHIO, U.S.A.
 (440) 269-8155 FAX (440) 269-8166

SCALE: 0.250 SHEET: 1 of 2 DRAWN BY: T.PAUL

TITLE: PREM-18X16X10-SCR

DATE: 07.19.2021 DRAWING NUMBER: H181610S REV: A

UNLESS OTHERWISE SPECIFIED:
 DIMENSIONS ARE IN INCHES (mm)
 AND ARE NOMINAL ONLY

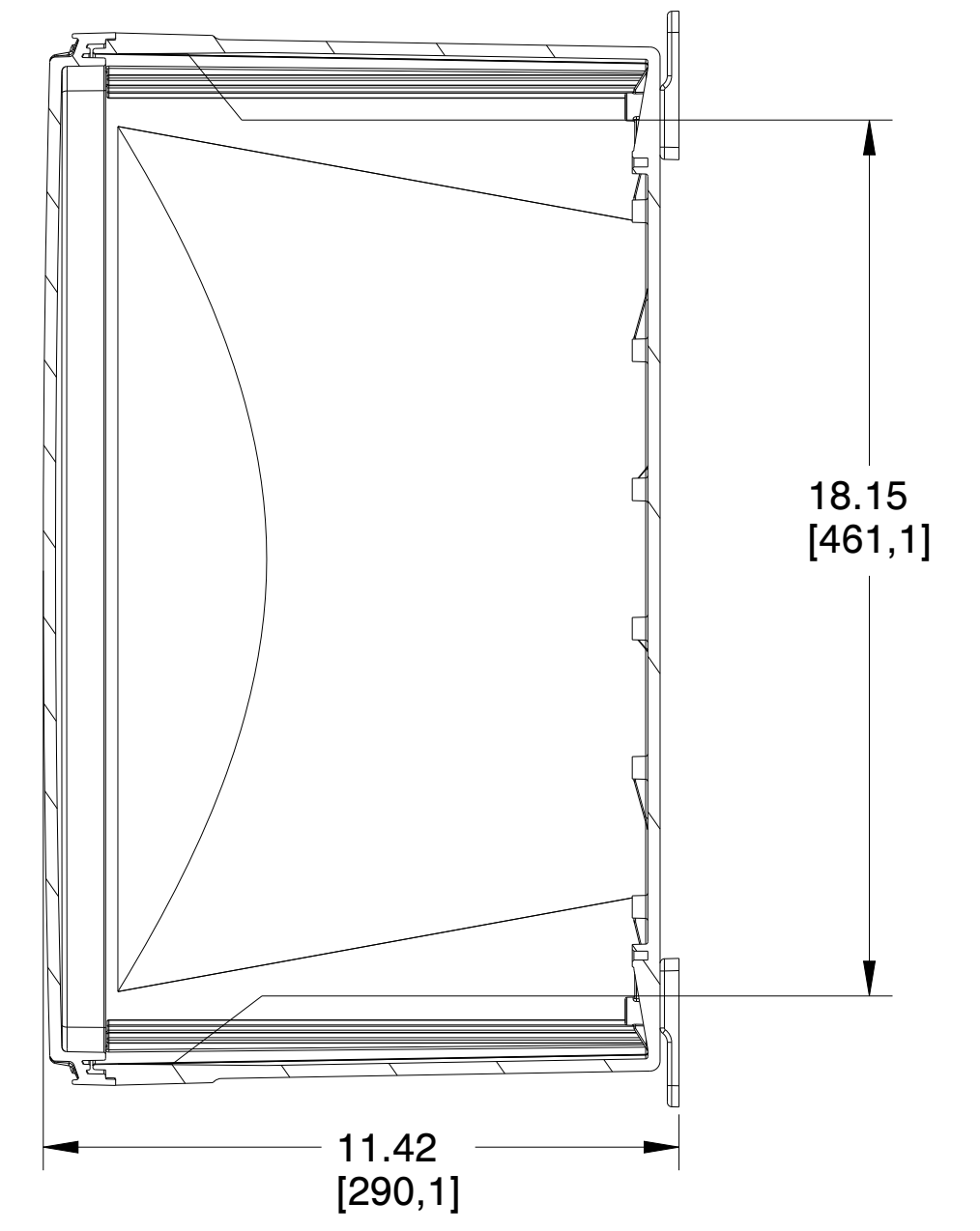
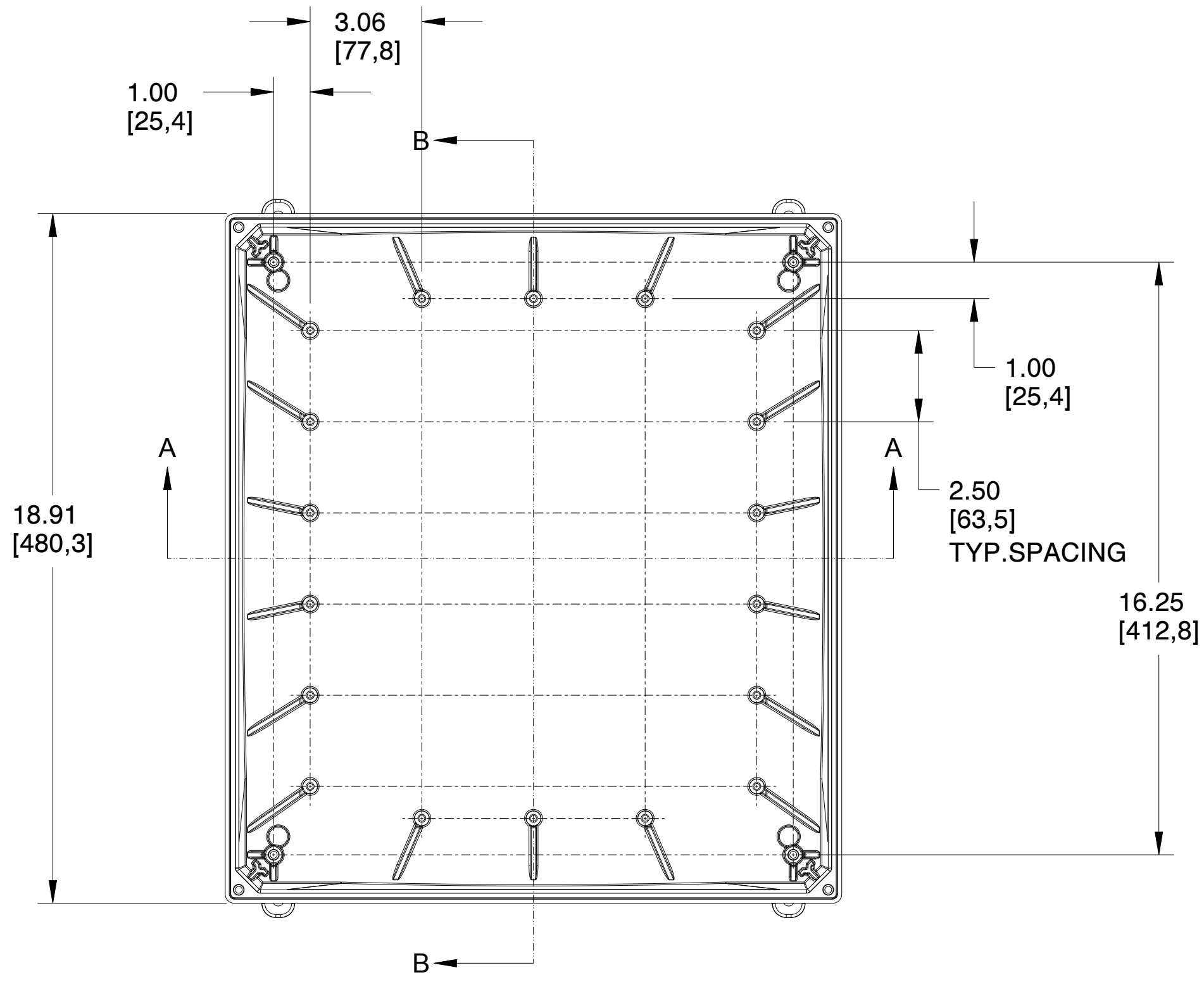
PROPRIETARY AND CONFIDENTIAL:
 THE INFORMATION CONTAINED IN THIS
 DRAWING IS THE SOLE PROPERTY OF
 INTEGRA ENCLOSURES. ANY
 REPRODUCTION IN PART OR AS A
 WHOLE WITHOUT THE WRITTEN
 PERMISSION OF INTEGRA
 ENCLOSURES IS PROHIBITED.

4

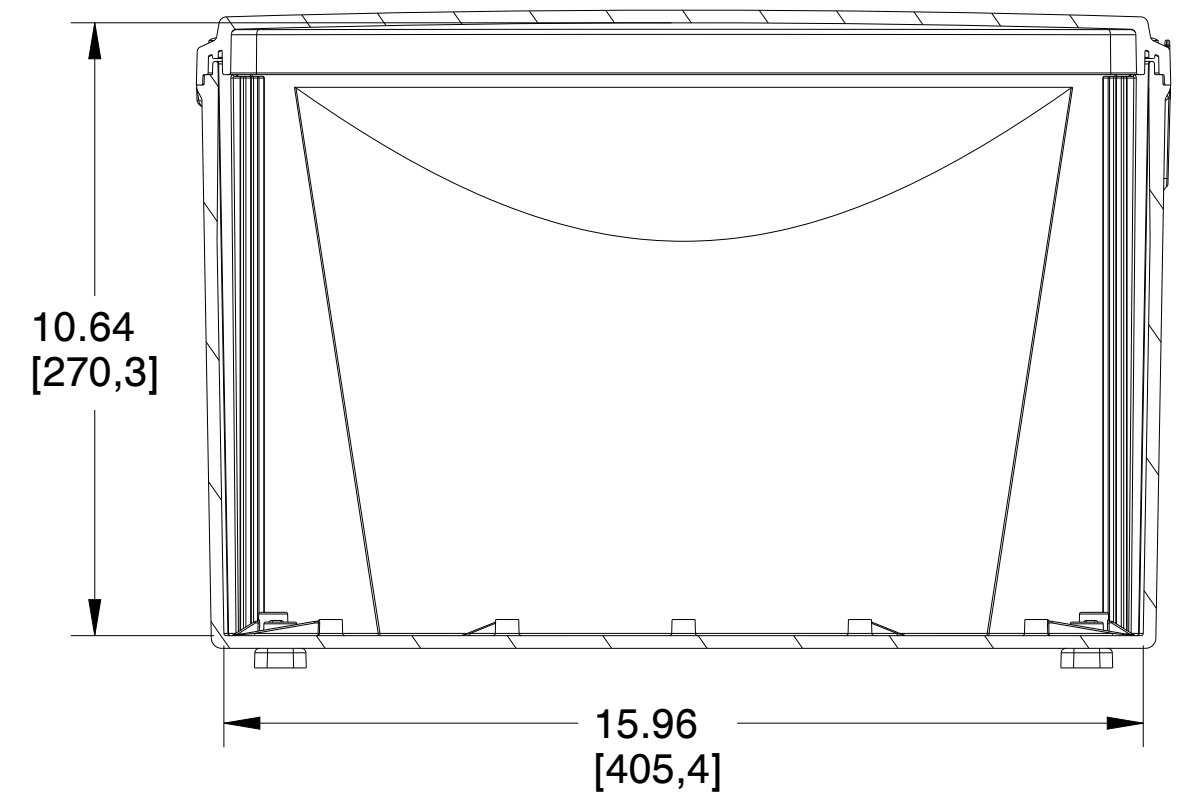
3

2

1



SECTION B-B



SECTION A-A

		MUM INDUSTRIES 8989 TYLER BLVD MENTOR, OHIO, U.S.A. (440) 269-8155 FAX (440) 269-8166		
		SCALE	SHEET	DRAWN BY
0.300	1 of 2	T.PAUL		
TITLE				
PREM-18X16X10-SCR				
DATE		DRAWING NUMBER		REV
07.19.2021		H181610S		A

UNLESS OTHERWISE SPECIFIED:
 DIMENSIONS ARE IN INCHES (mm)
 AND ARE NOMINAL ONLY

PROPRIETARY AND CONFIDENTIAL:
 THE INFORMATION CONTAINED IN THIS
 DRAWING IS THE SOLE PROPERTY OF
 INTEGRA ENCLOSURES. ANY
 REPRODUCTION IN PART OR AS A
 WHOLE WITHOUT THE WRITTEN
 PERMISSION OF INTEGRA
 ENCLOSURES IS PROHIBITED.

4

3

2

1