

4

3

2

1

D

D

C

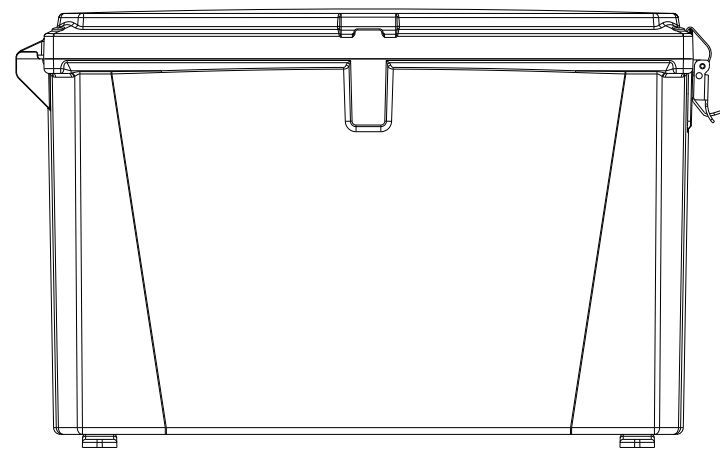
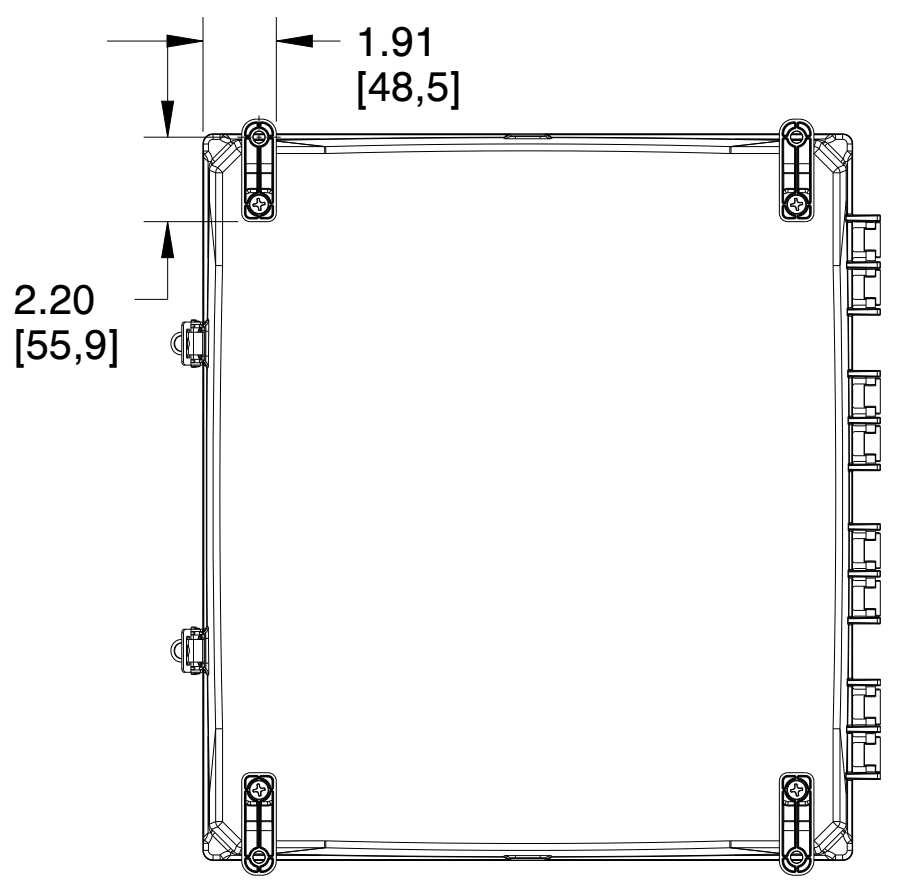
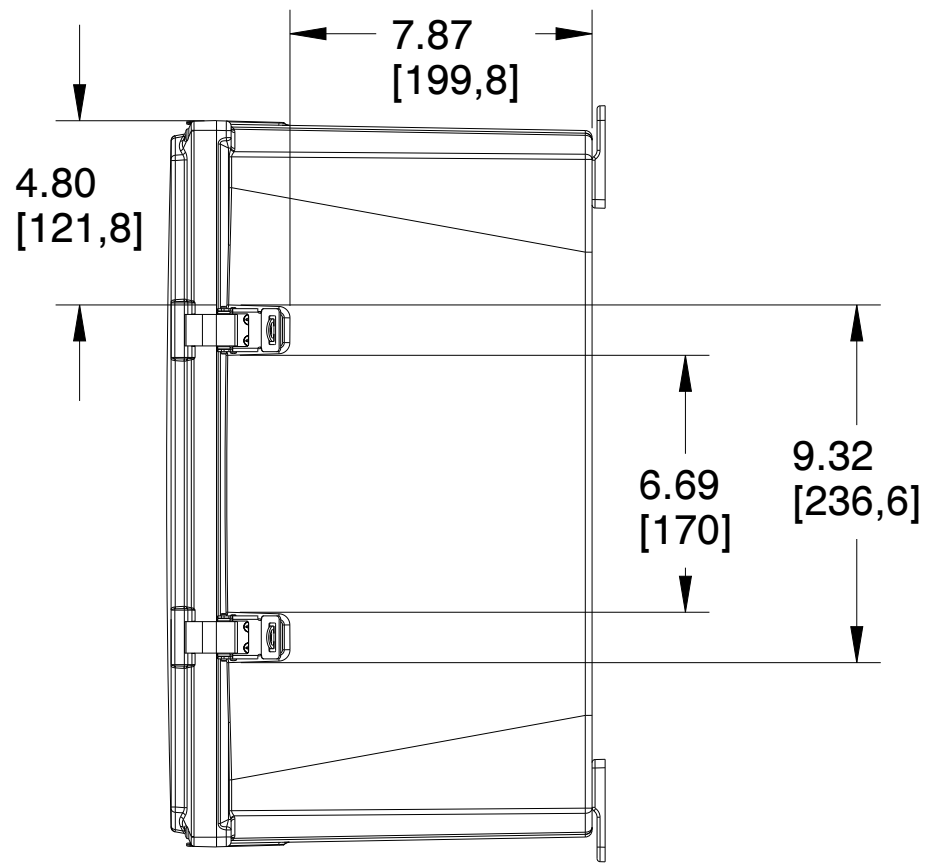
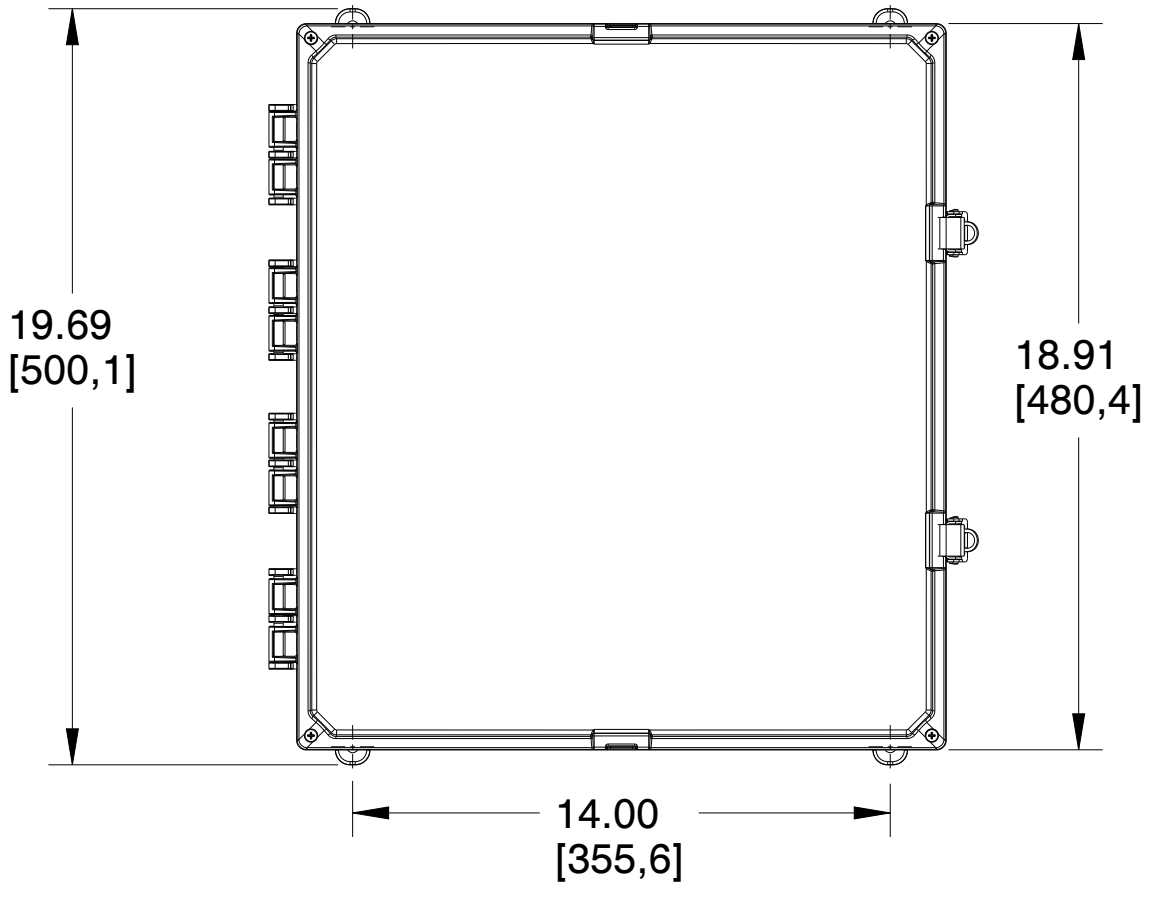
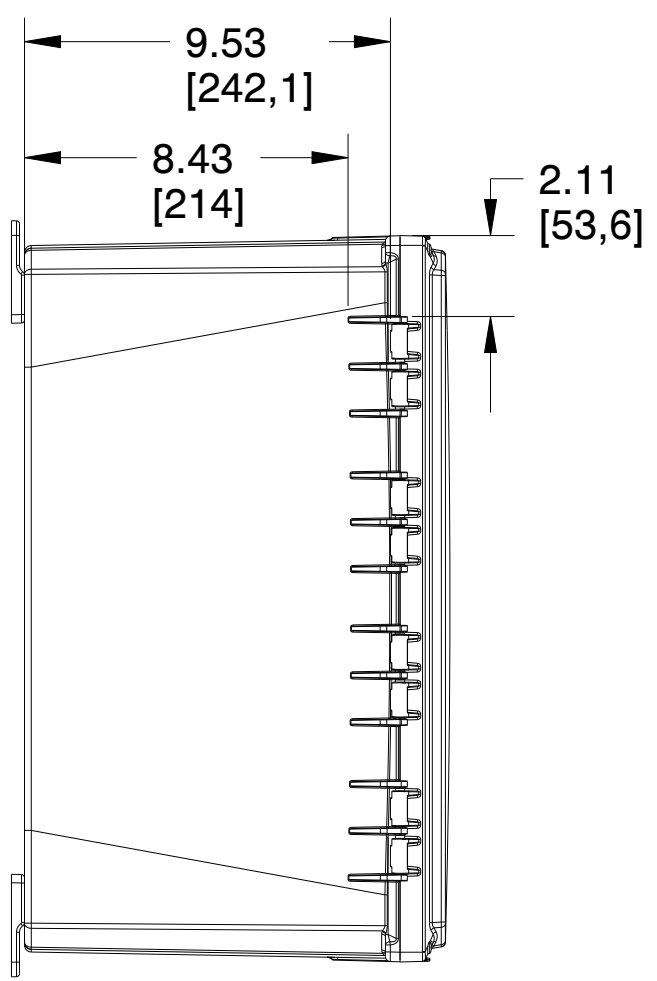
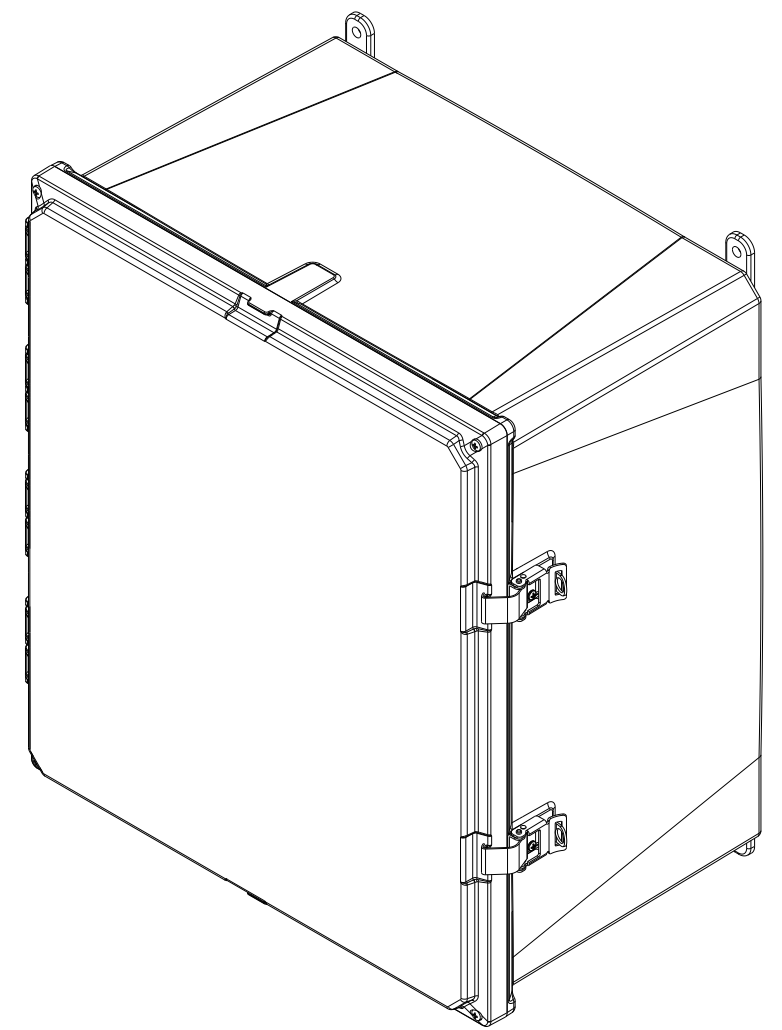
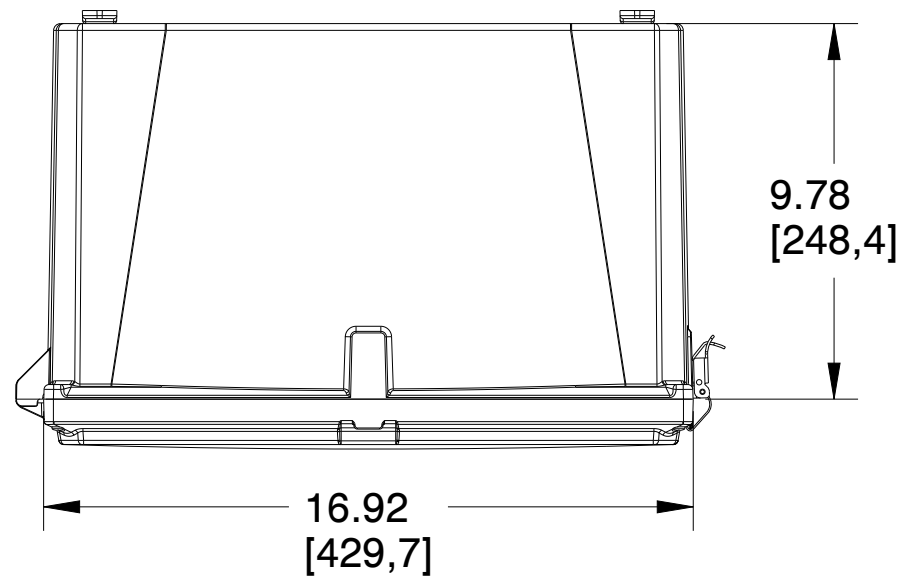
C

B

B

A

A



4

3

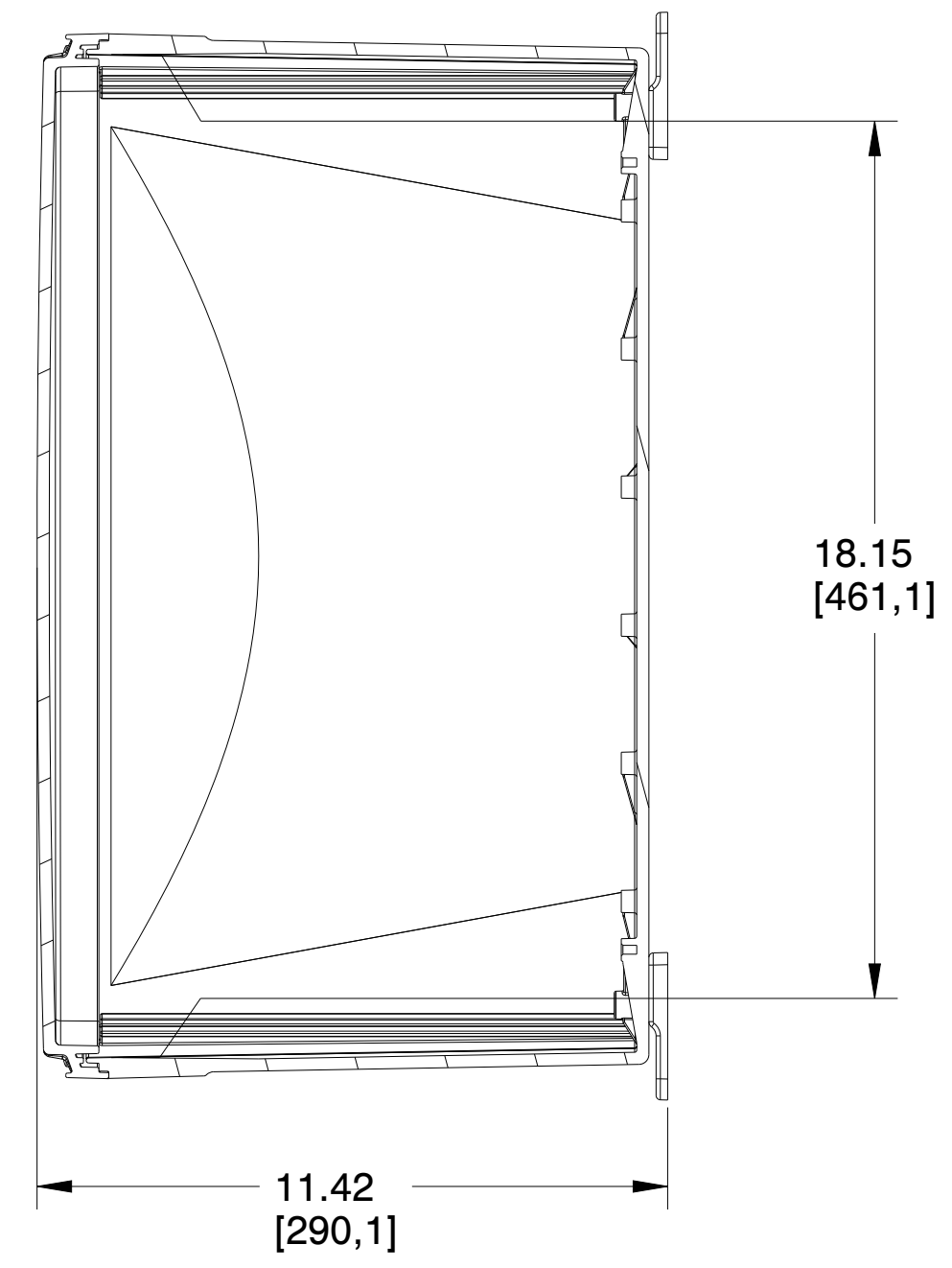
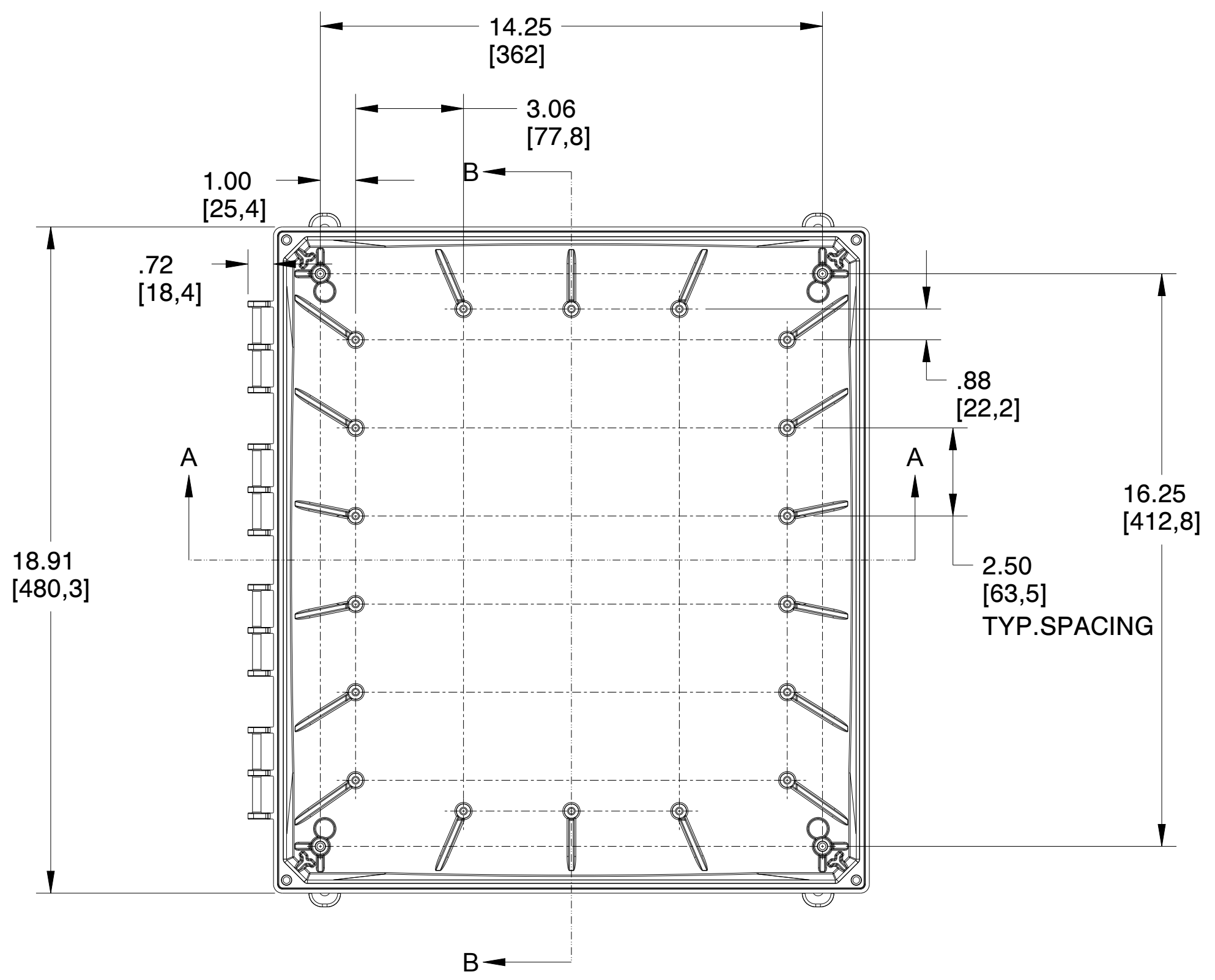
2

1

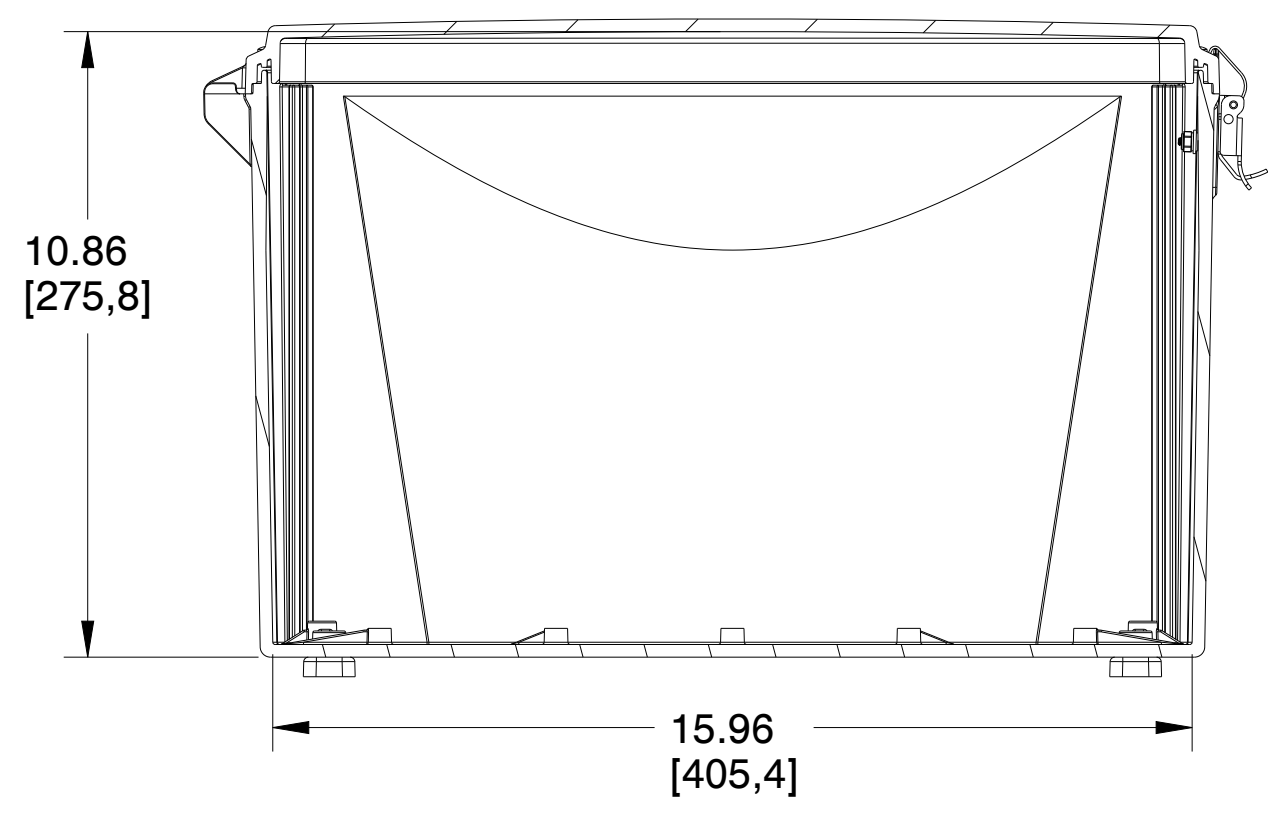
| | | |
|-------------------------------|------------------------------|--|
| | | MUM INDUSTRIES 8989 TYLER BLVD MENTOR, OHIO, U.S.A. (440) 269-8155 FAX (440) 269-8166 |
| SCALE 0.200 | SHEET 1 of 2 | DRAWN BY T.PAUL |
| TITLE PREM-18X16X10-HNG-LL | | |
| DATE 07.19.2021 | DRAWING NUMBER H181610HLL | REV A |

UNLESS OTHERWISE SPECIFIED:
DIMENSIONS ARE IN INCHES (mm)
AND ARE NOMINAL ONLY

PROPRIETARY AND CONFIDENTIAL:
THE INFORMATION CONTAINED IN THIS
DRAWING IS THE SOLE PROPERTY OF
INTEGRA ENCLOSURES. ANY
REPRODUCTION IN PART OR AS A
WHOLE WITHOUT THE WRITTEN
PERMISSION OF INTEGRA
ENCLOSURES IS PROHIBITED.



SECTION B-B



SECTION A-A

| | | | |
|----------------------|----------------|--|-------|
| | | MUM INDUSTRIES 8989 TYLER BLVD MENTOR, OHIO, U.S.A. (440) 269-8155 FAX (440) 269-8166 | |
| | | SCALE | SHEET |
| 0.300 | 2 of 2 | T.PAUL | |
| TITLE | | | |
| PREM-18X16X10-HNG-LL | | | |
| DATE | DRAWING NUMBER | REV | |
| 07.19.2021 | H181610HLL | A | |

UNLESS OTHERWISE SPECIFIED:
DIMENSIONS ARE IN INCHES (mm)
AND ARE NOMINAL ONLY

PROPRIETARY AND CONFIDENTIAL:
THE INFORMATION CONTAINED IN THIS
DRAWING IS THE SOLE PROPERTY OF
INTEGRA ENCLOSURES. ANY
REPRODUCTION IN PART OR AS A
WHOLE WITHOUT THE WRITTEN
PERMISSION OF INTEGRA
ENCLOSURES IS PROHIBITED.