

4

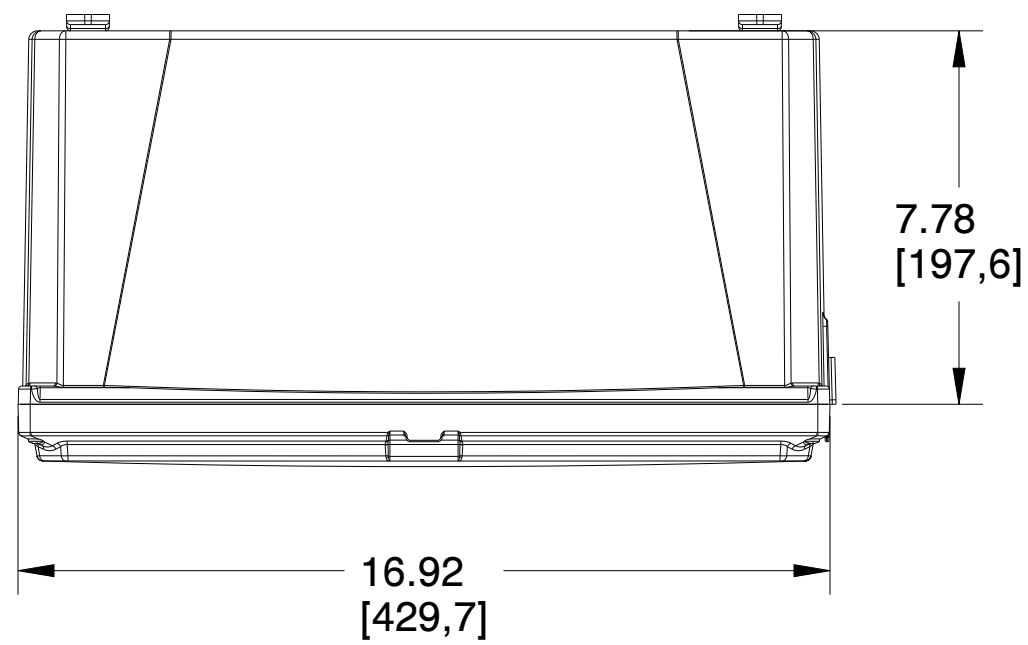
3

2

1

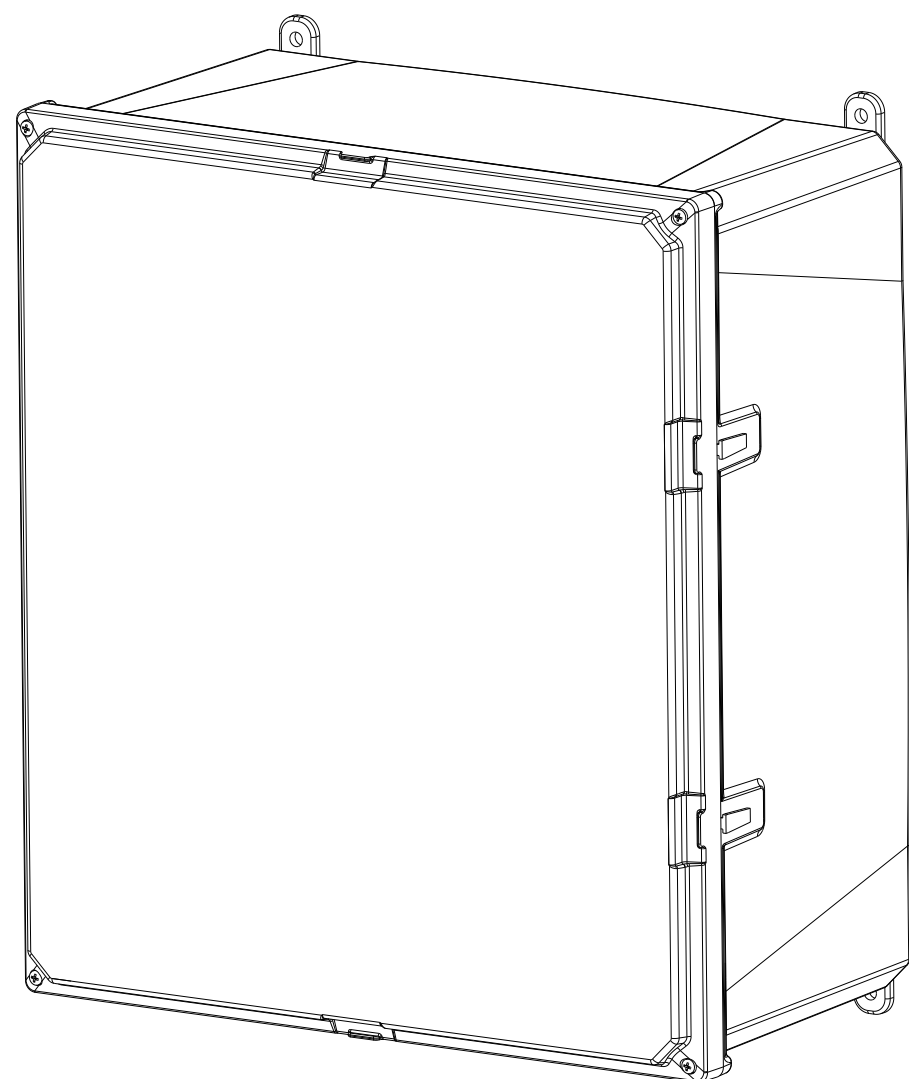
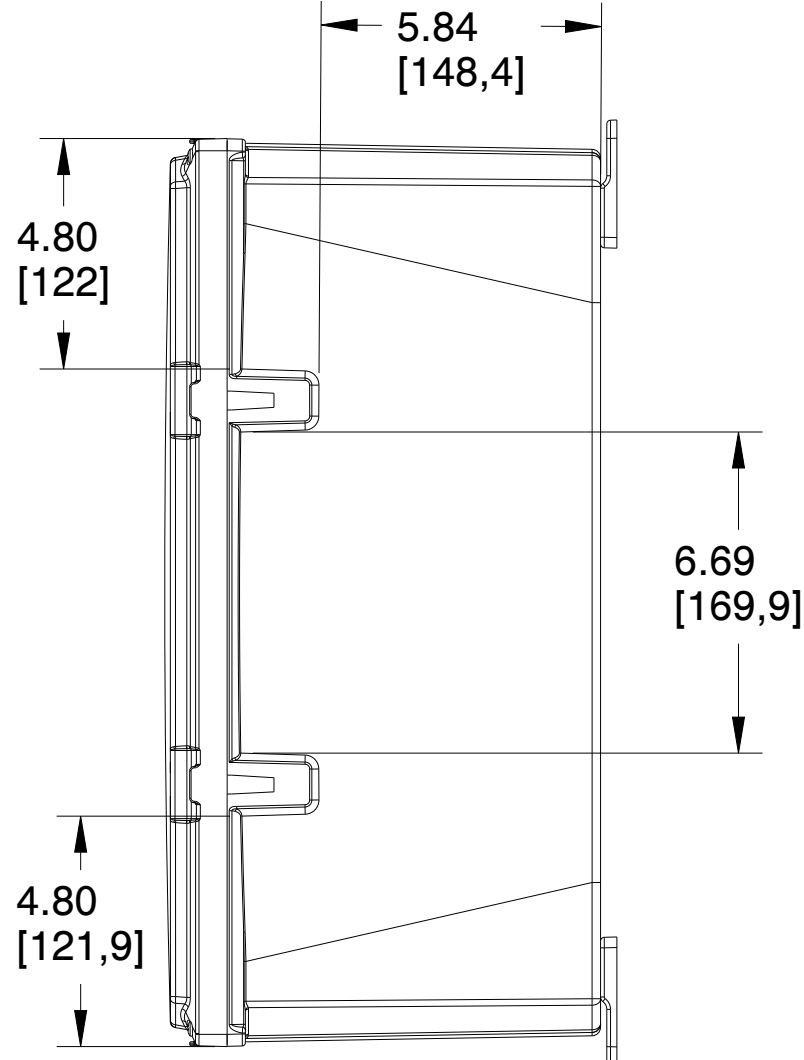
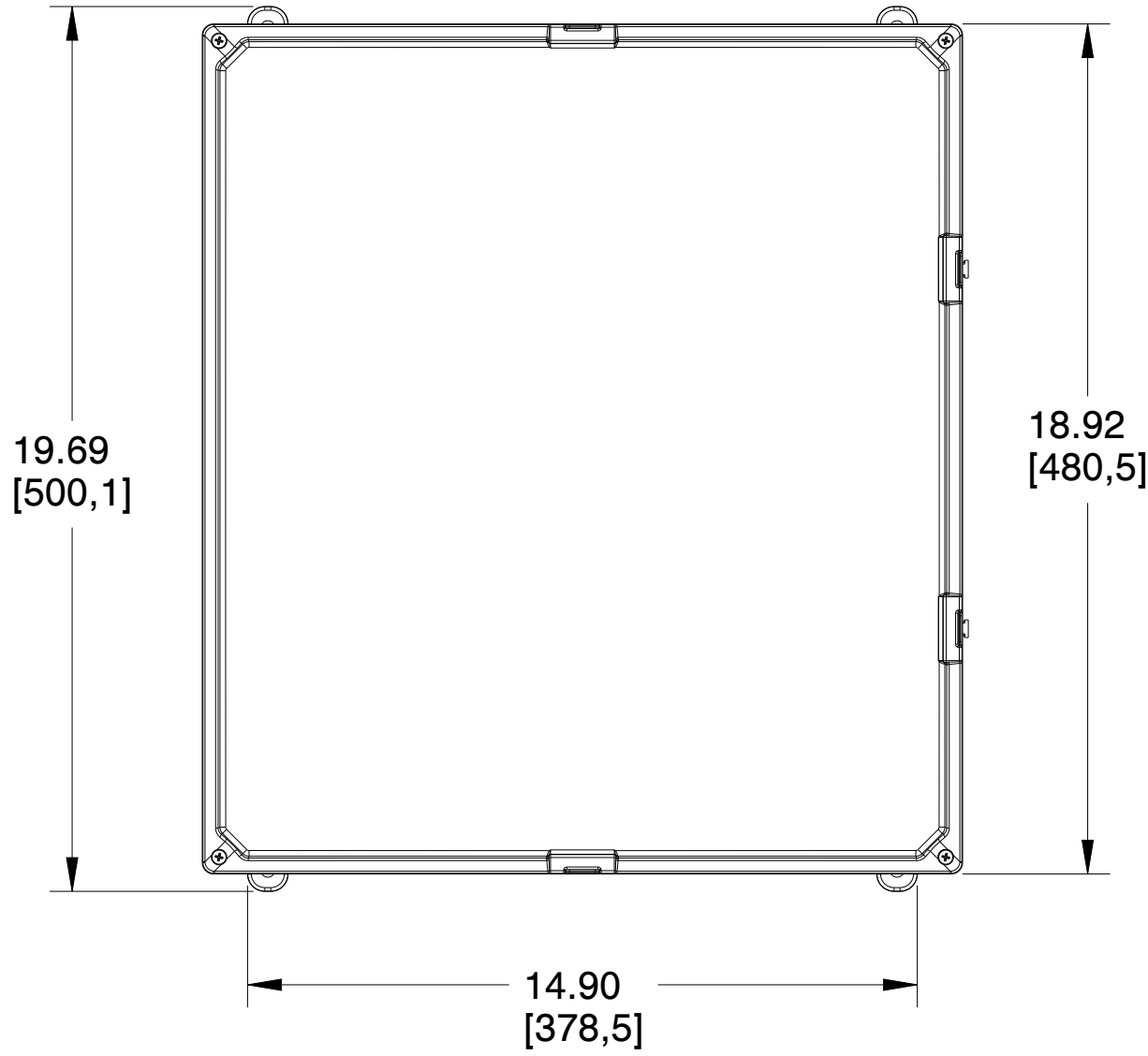
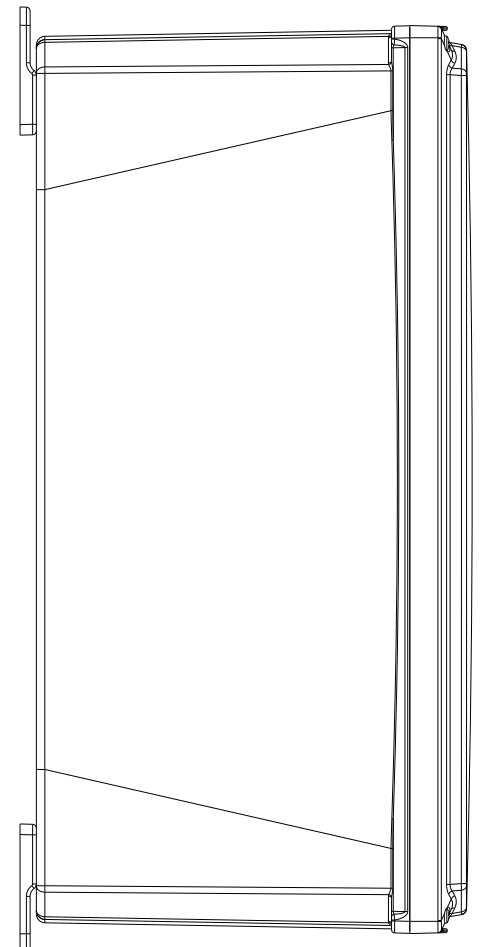
D

D



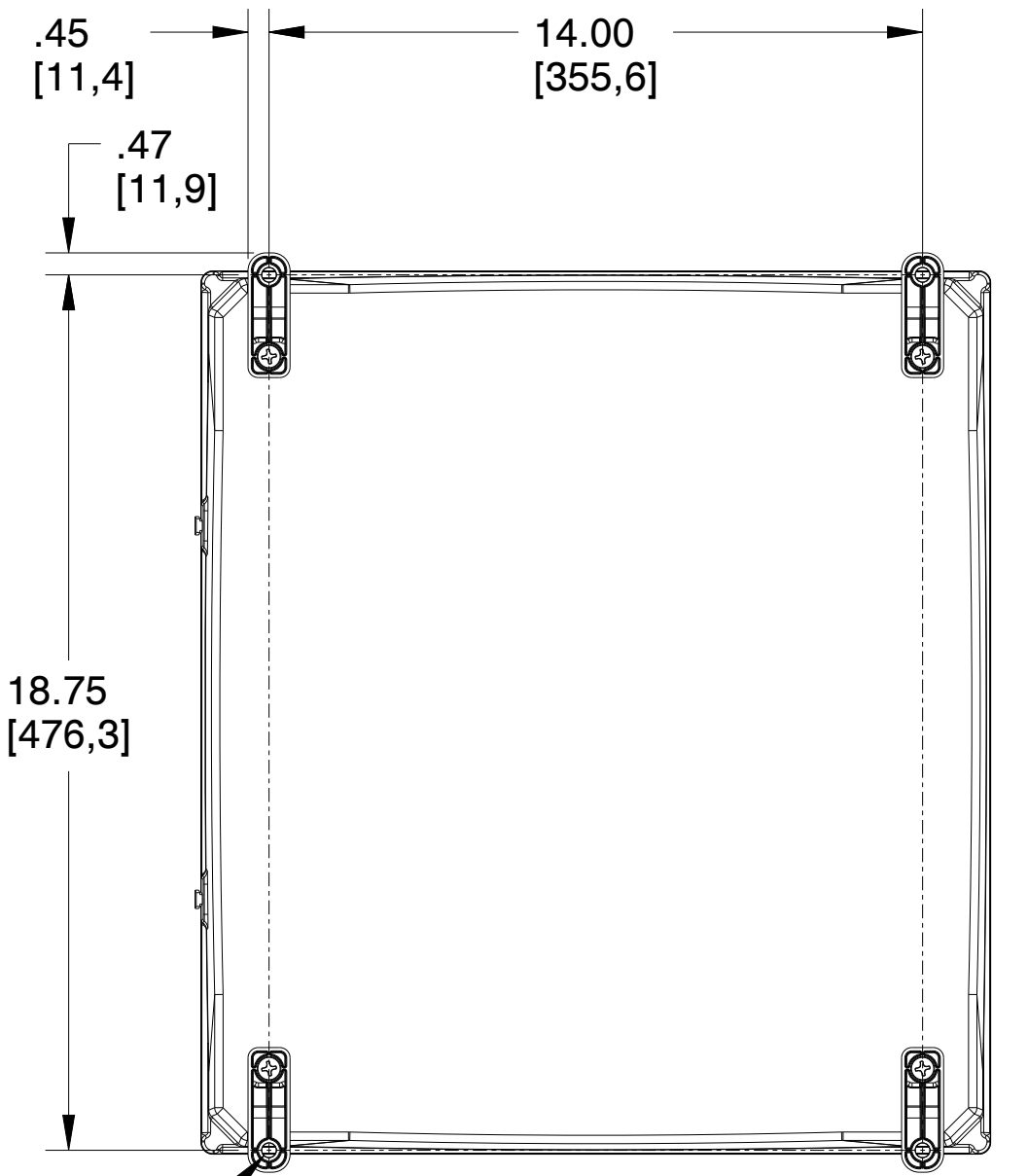
C

C



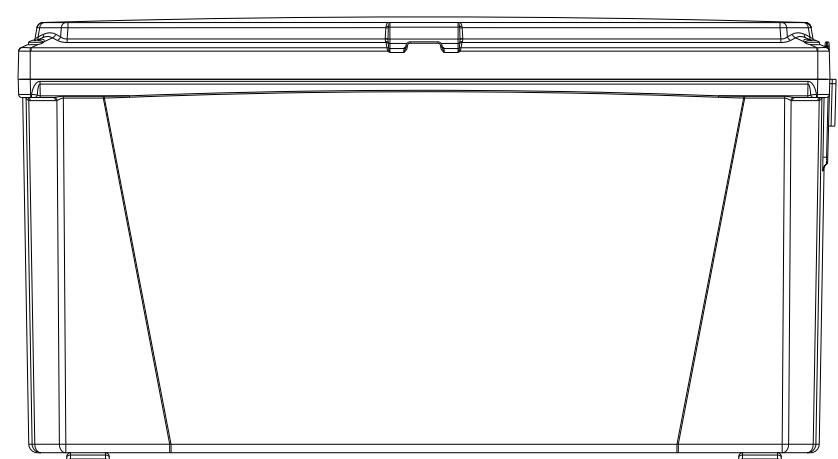
B

B



A

A



4X Ø.310  
[7,87]

**INTEGRA ENCLOSURES**  
MUM INDUSTRIES  
8989 TYLER BLVD  
MENTOR, OHIO, U.S.A.  
(440) 269-8155 FAX (440) 269-8166

SCALE: 0.250 SHEET: 1 of 1 DRAWN BY: H. MULLIN

TITLE: PREM-18X16X08-SCR-GRY

DATE: 08.08.2022 DRAWING NUMBER: H181608S REV: A

UNLESS OTHERWISE SPECIFIED:  
DIMENSIONS ARE IN INCHES (mm)  
AND ARE NOMINAL ONLY.  
PROPRIETARY AND CONFIDENTIAL:  
THE INFORMATION CONTAINED IN THIS  
DRAWING IS THE SOLE PROPERTY OF  
INTEGRA ENCLOSURES. ANY  
REPRODUCTION IN PART OR AS A  
WHOLE WITHOUT THE WRITTEN  
PERMISSION OF INTEGRA  
ENCLOSURES IS PROHIBITED.

4

3

2

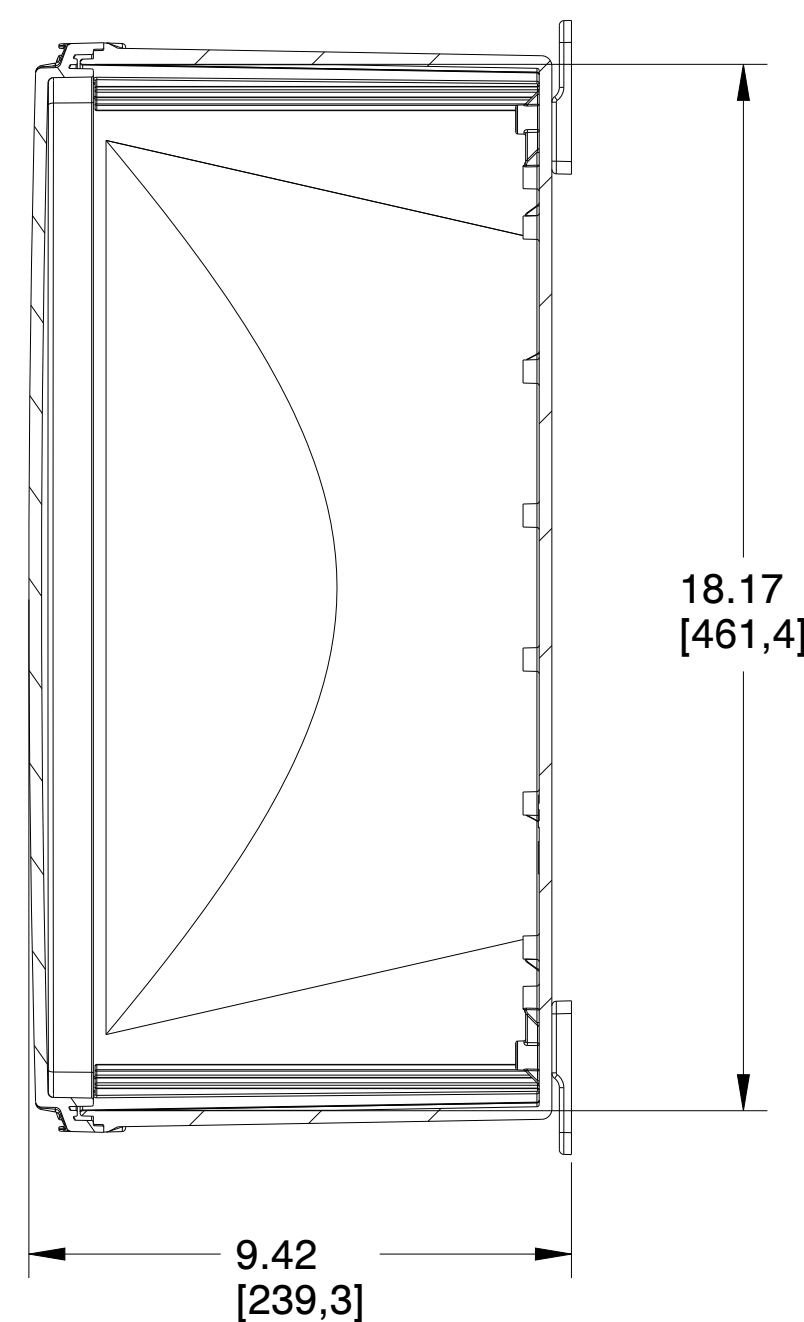
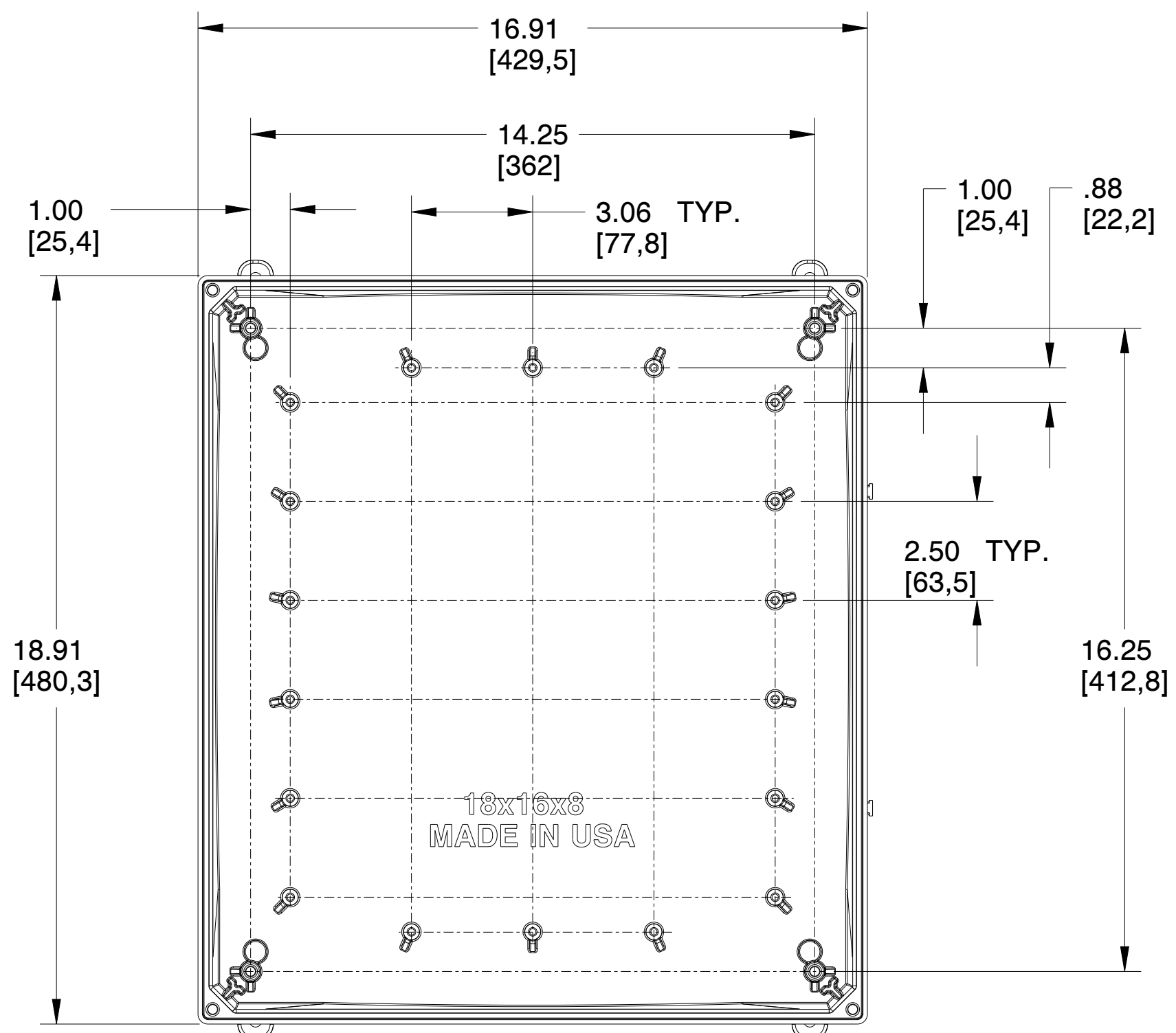
1

4

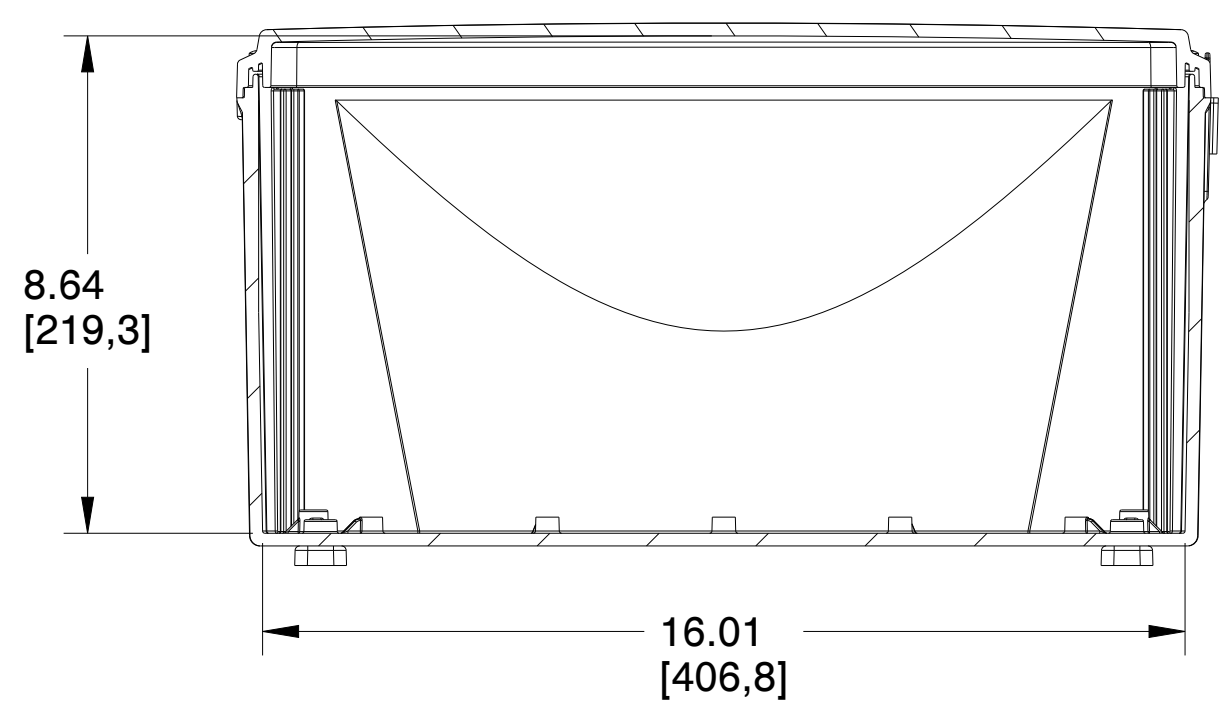
3

2

1



SECTION E-E



SECTION F-F

		MUM INDUSTRIES 8989 TYLER BLVD MENTOR, OHIO, U.S.A. (440) 269-8155 FAX (440) 269-8166	
		SCALE <b>0.300</b>	SHEET <b>2 of 2</b>
TITLE <b>PREM-18X16X08-SCR-GRY</b>			
DATE <b>08.08.2022</b>	DRAWING NUMBER <b>H181608S</b>	REV <b>A</b>	

UNLESS OTHERWISE SPECIFIED:  
 DIMENSIONS ARE IN INCHES (mm)  
 AND ARE NOMINAL ONLY

PROPRIETARY AND CONFIDENTIAL:  
 THE INFORMATION CONTAINED IN THIS  
 DRAWING IS THE SOLE PROPERTY OF  
 INTEGRA ENCLOSURES. ANY  
 REPRODUCTION IN PART OR AS A  
 WHOLE WITHOUT THE WRITTEN  
 PERMISSION OF INTEGRA  
 ENCLOSURES IS PROHIBITED.

4

3

2

1

D

D

C

C

B

B

A

A