

4

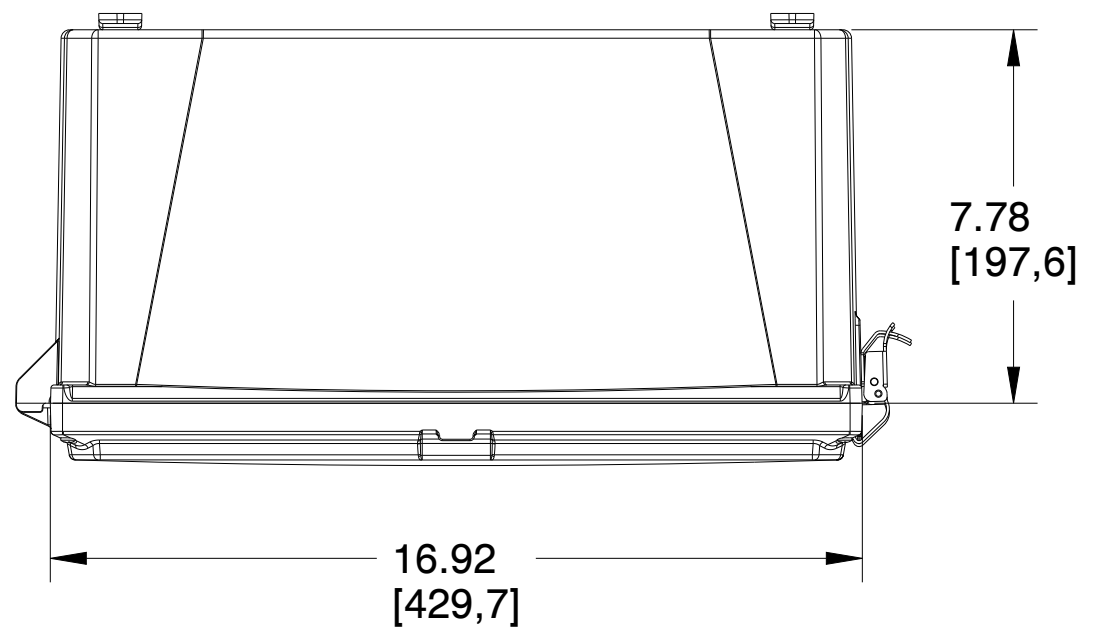
3

2

1

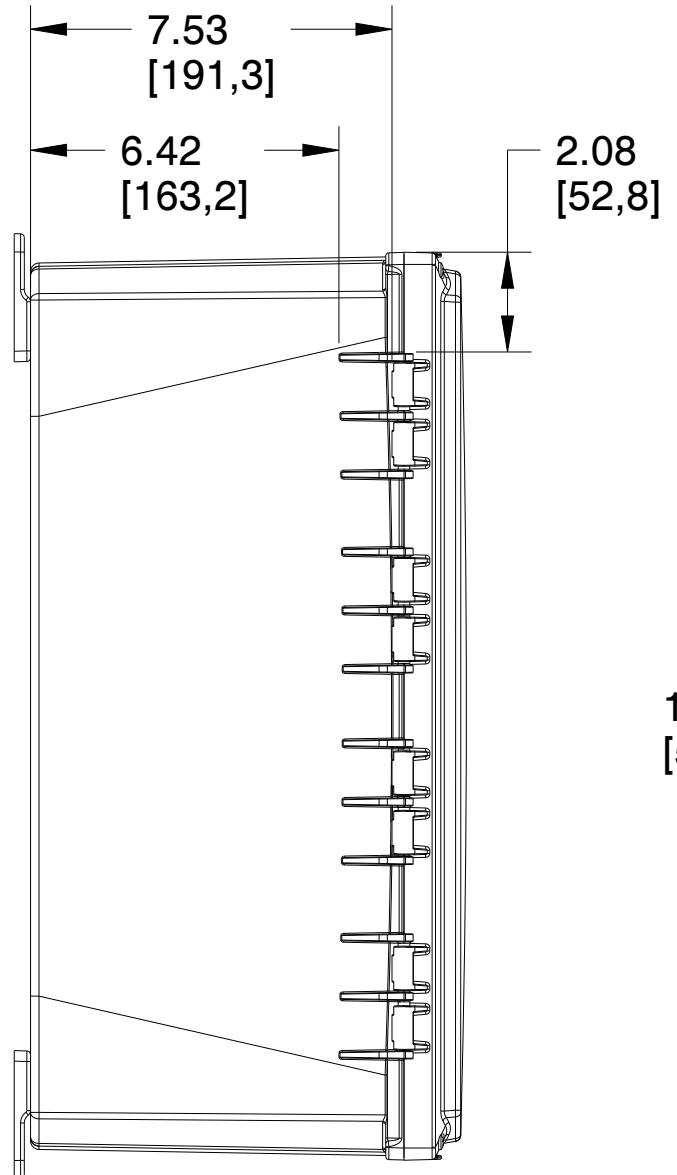
D

D



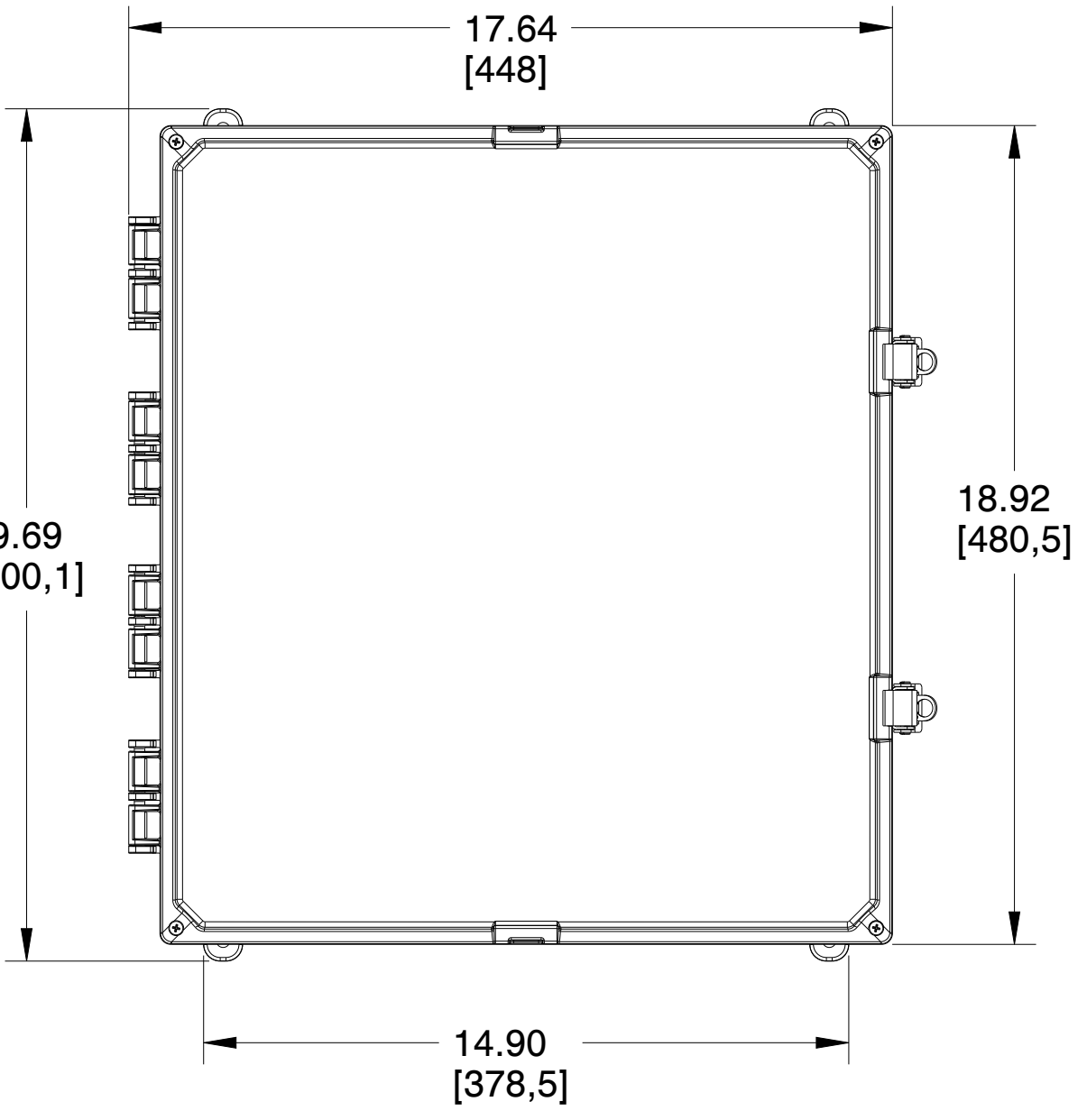
C

C



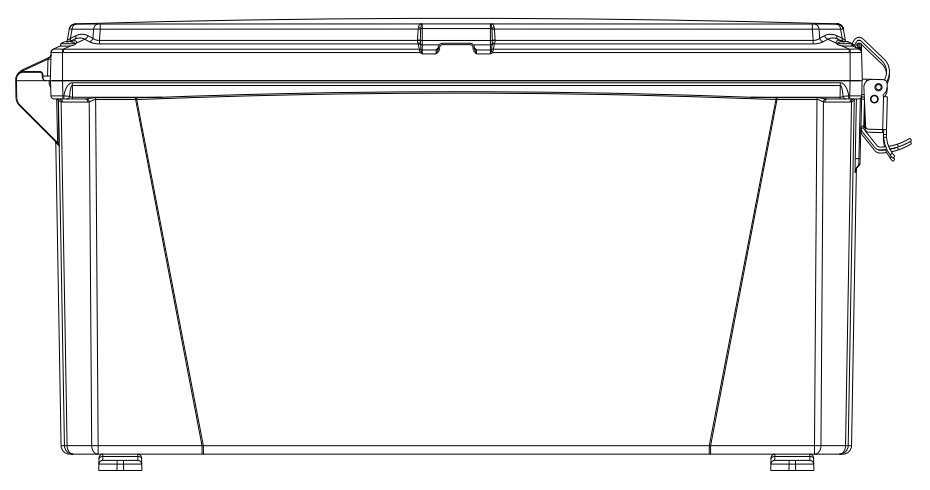
B

B



A

A

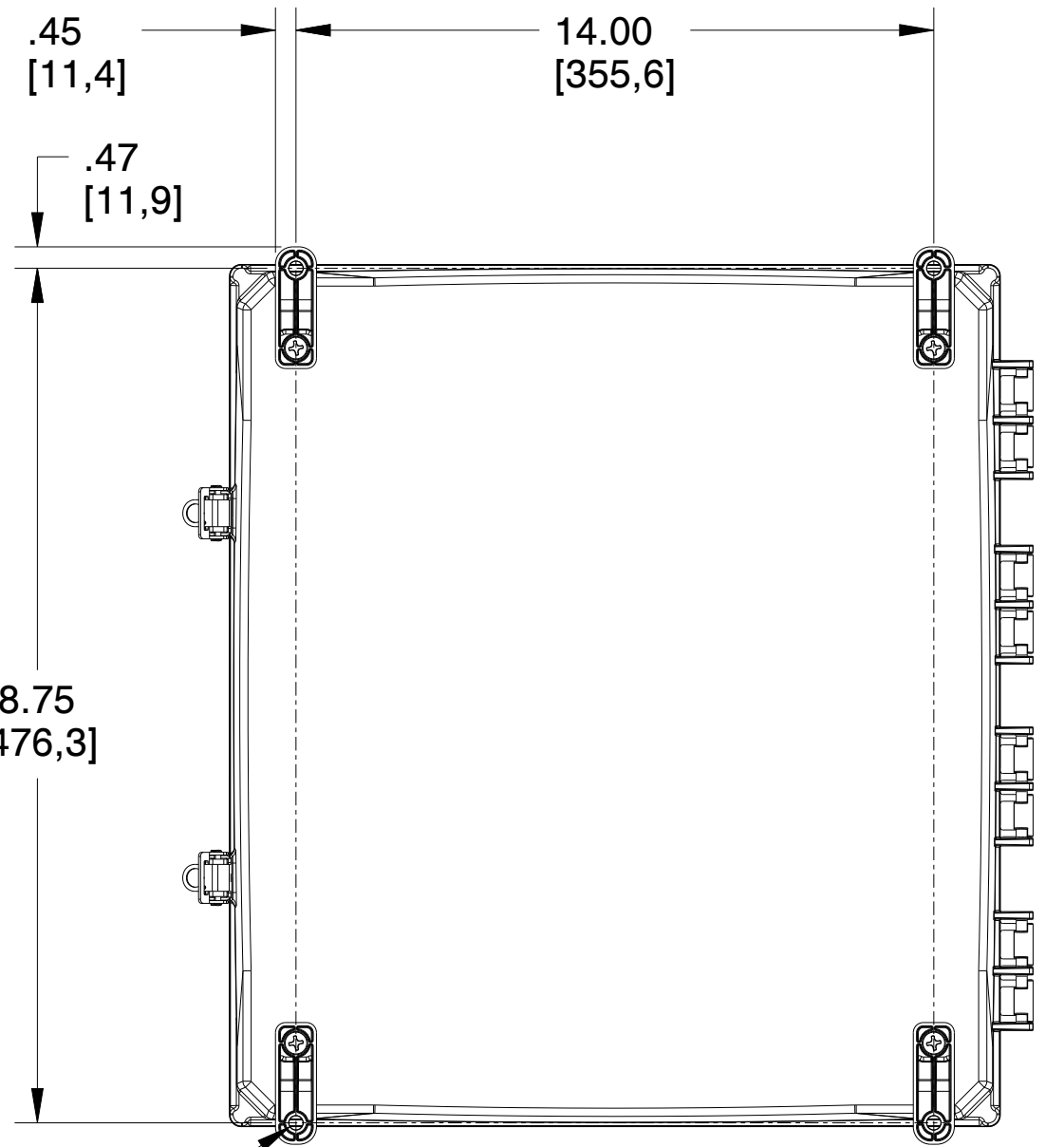
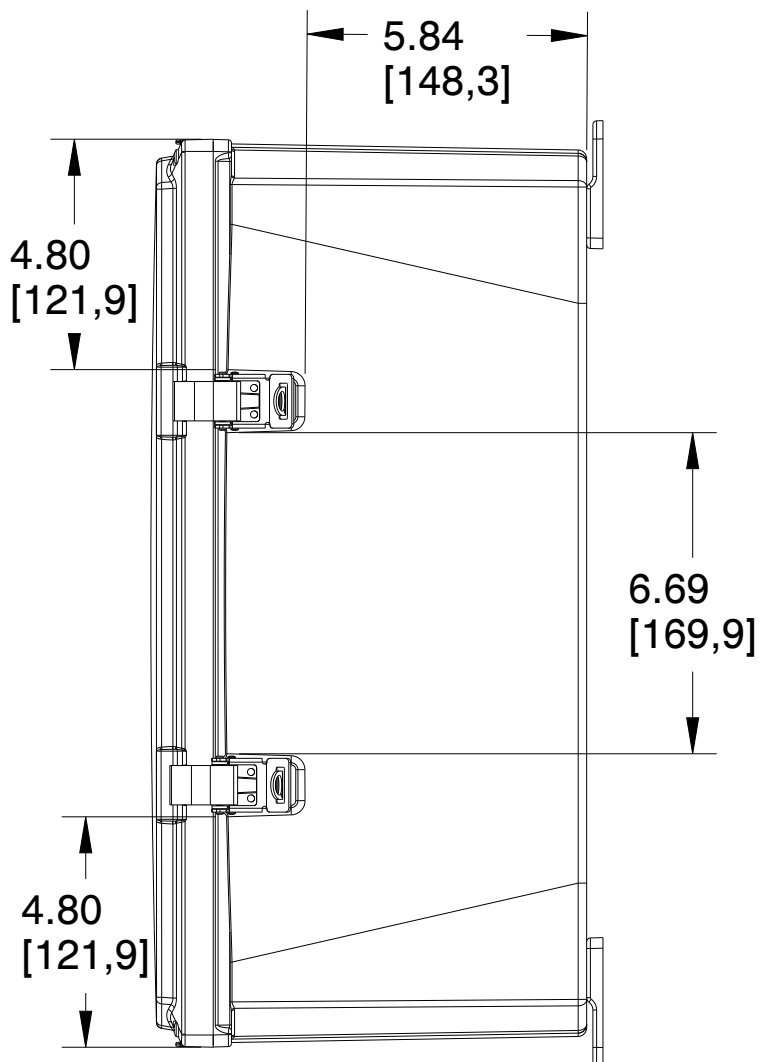


4

3

2

1



4X Ø.310 [7,87]

		MUM INDUSTRIES 8989 TYLER BLVD MENTOR, OHIO, U.S.A. (440) 269-8155 FAX (440) 269-8166	
SCALE	SHEET	DRAWN BY	
0.250	1 of 2	S. QUICK	
TITLE			
PREM-18X16X08-SCR-GRY			
DATE	DRAWING NUMBER	REV	
08.08.2022	H181608HLL	A	

UNLESS OTHERWISE SPECIFIED:
DIMENSIONS ARE IN INCHES (mm)
AND ARE NOMINAL ONLY.

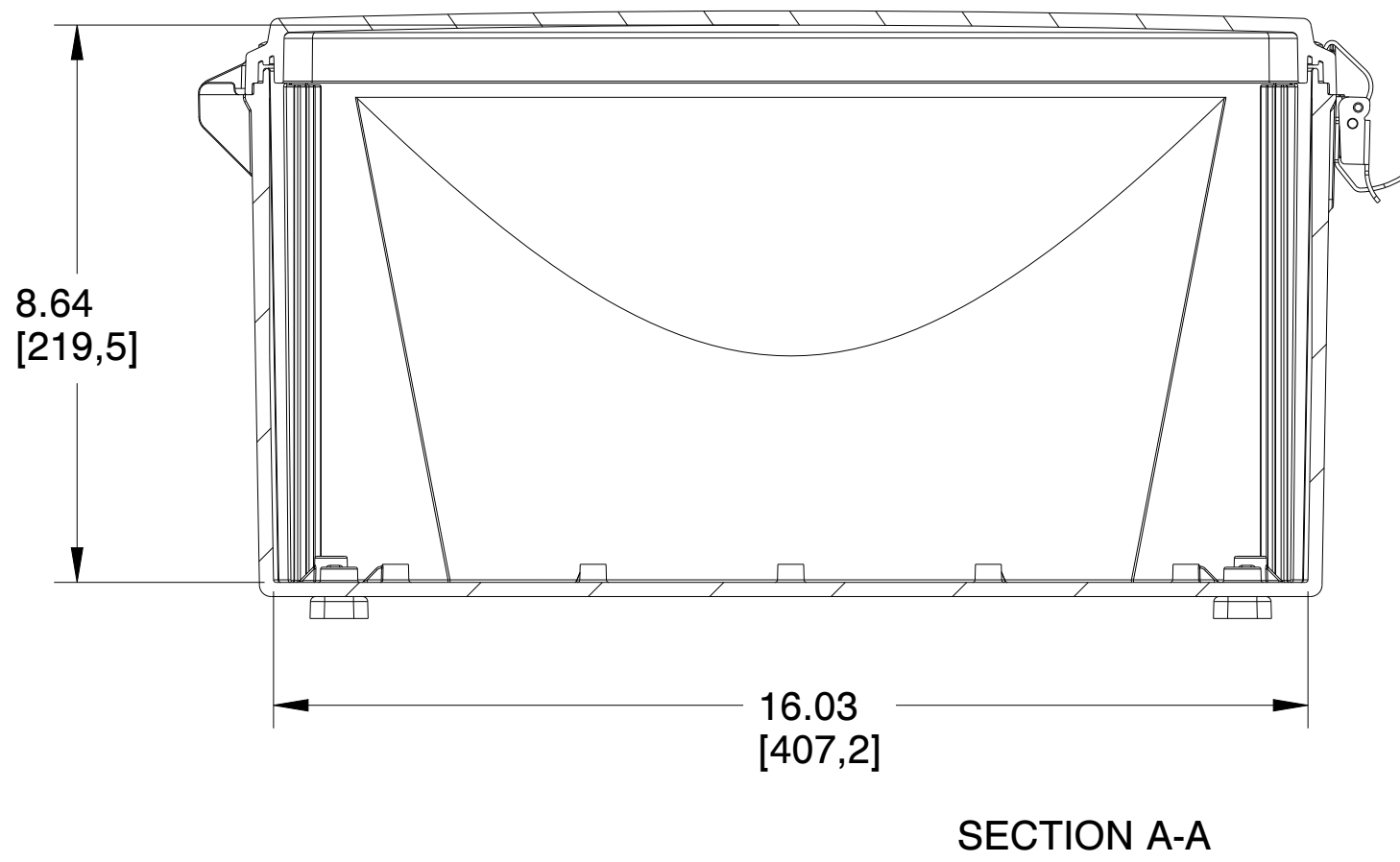
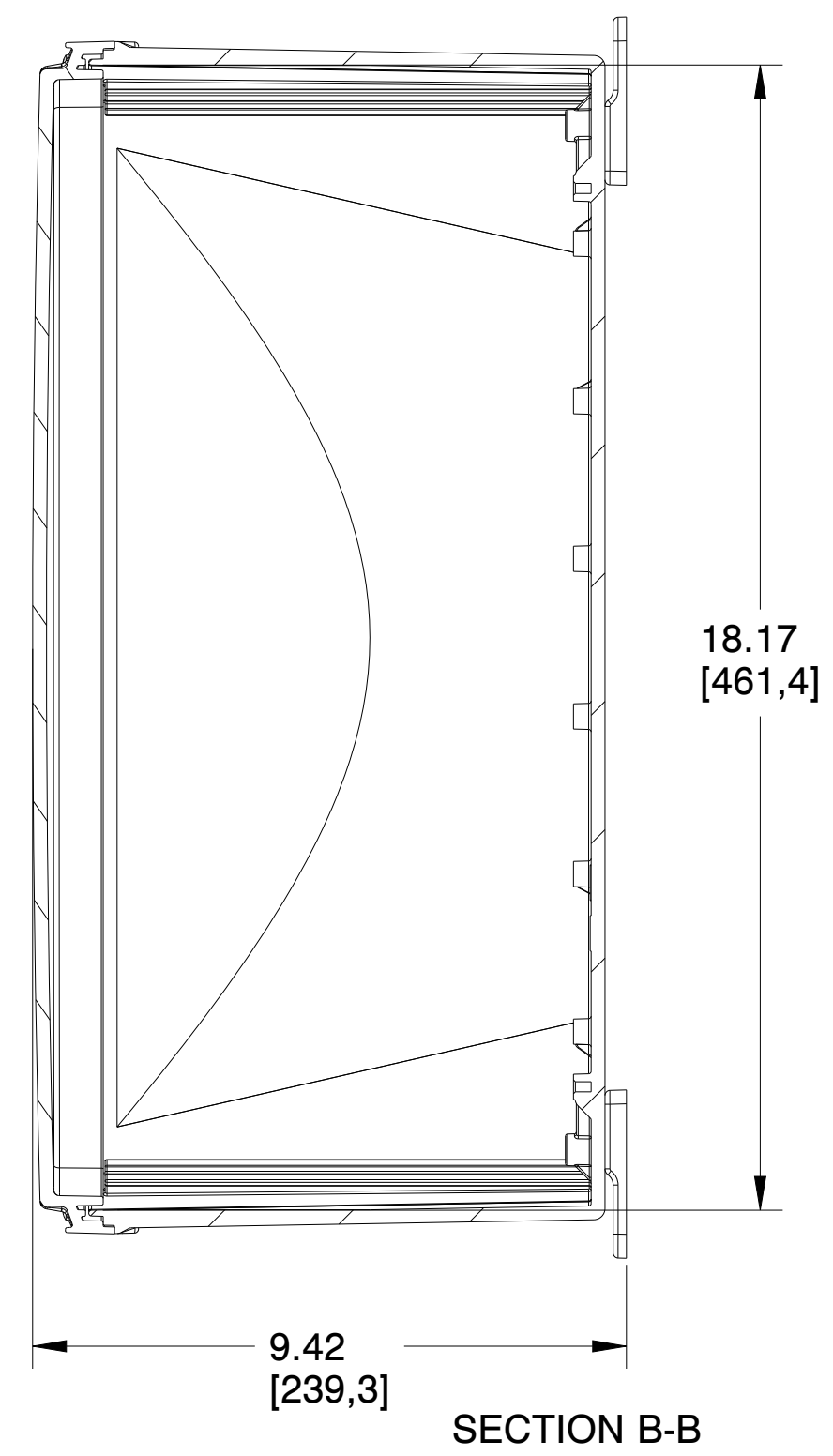
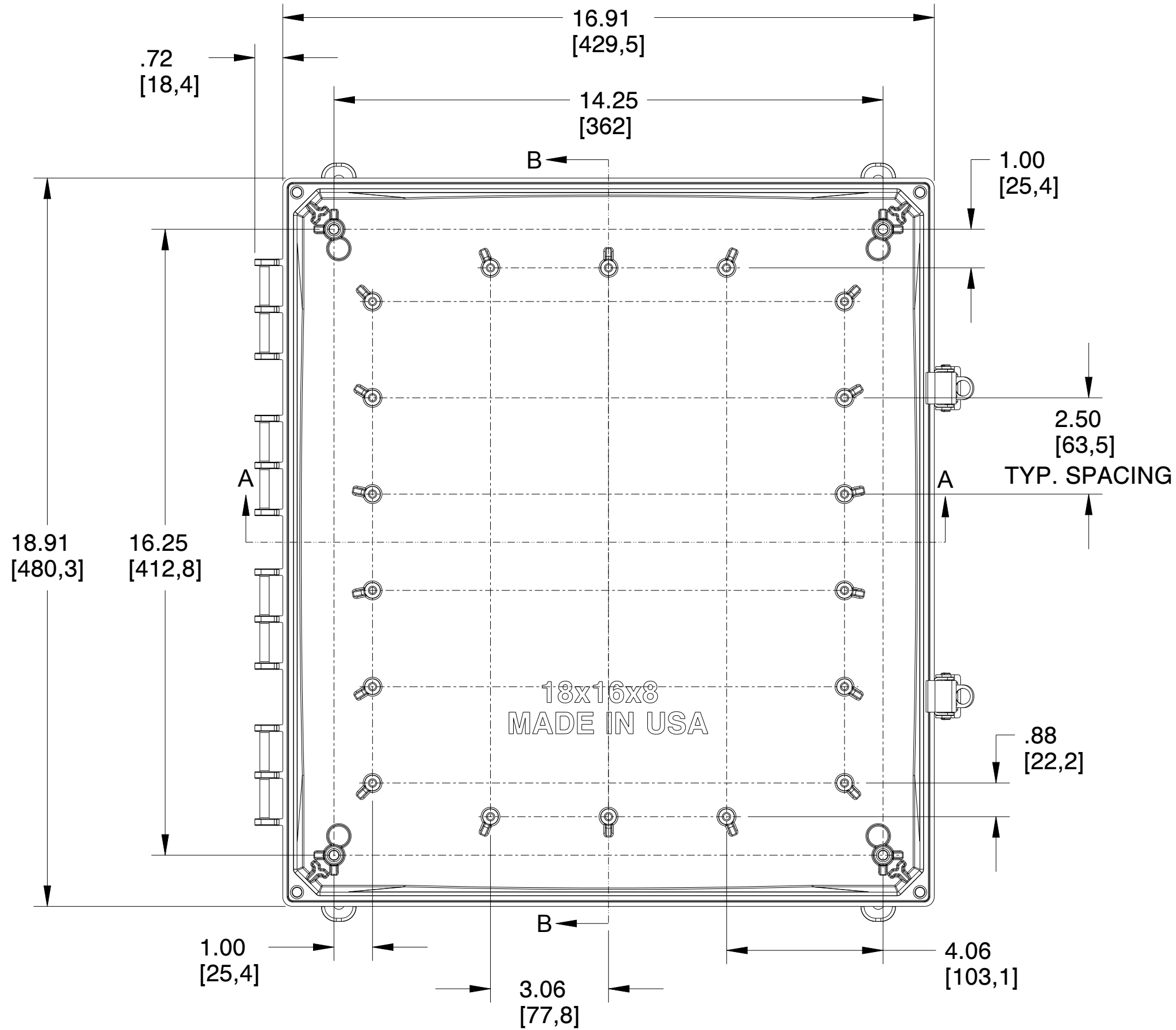
PROPRIETARY AND CONFIDENTIAL:
THE INFORMATION CONTAINED IN THIS
DRAWING IS THE SOLE PROPERTY OF
INTEGRA ENCLOSURES. ANY
REPRODUCTION IN PART OR AS A
WHOLE WITHOUT THE WRITTEN
PERMISSION OF INTEGRA
ENCLOSURES IS PROHIBITED.

4

3

2

1



		MUM INDUSTRIES 8989 TYLER BLVD MENTOR, OHIO, U.S.A. (440) 269-8155 FAX (440) 269-8166	
		SCALE	SHEET
0.350	2 of 2	S. QUICK	
TITLE			
PREM-18X16X8-HNG-GRY-SLL			
DATE		DRAWING NUMBER	
08.08.2022		H181608HLL	
REV			A

4

3

2

1