

4

3

2

1

D

D

C

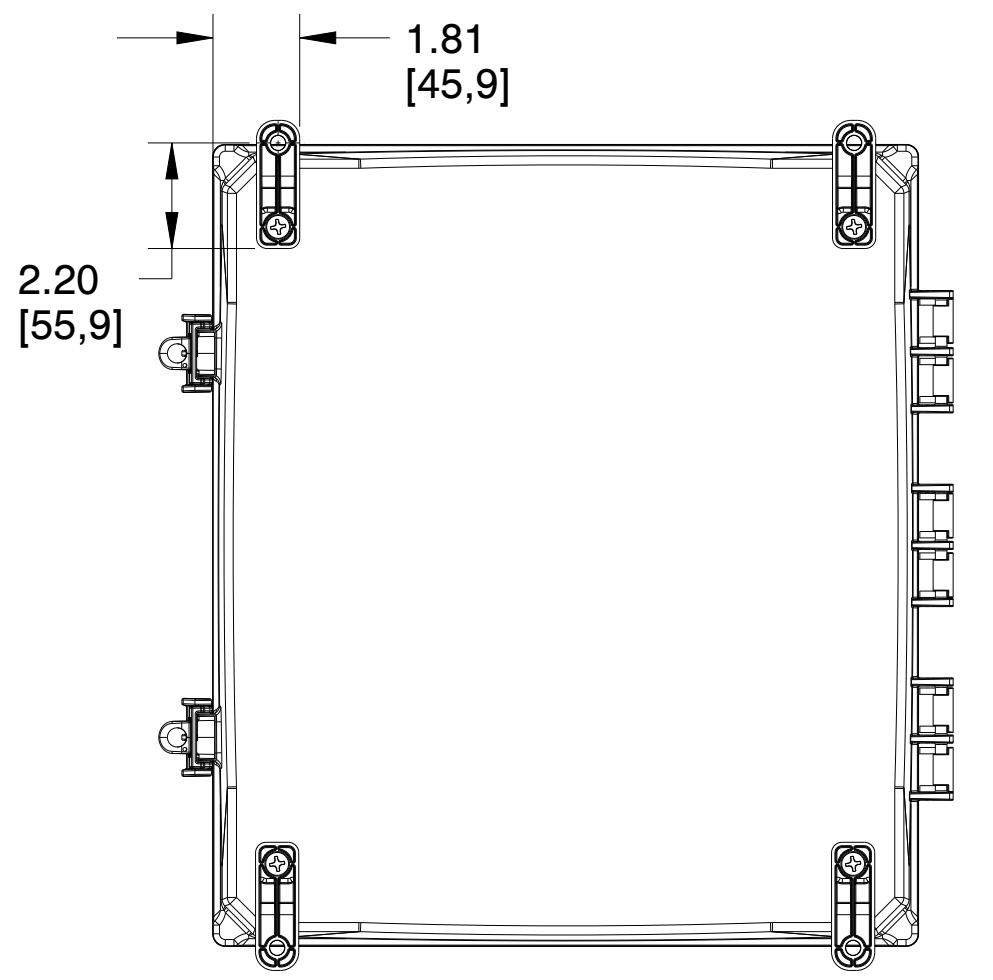
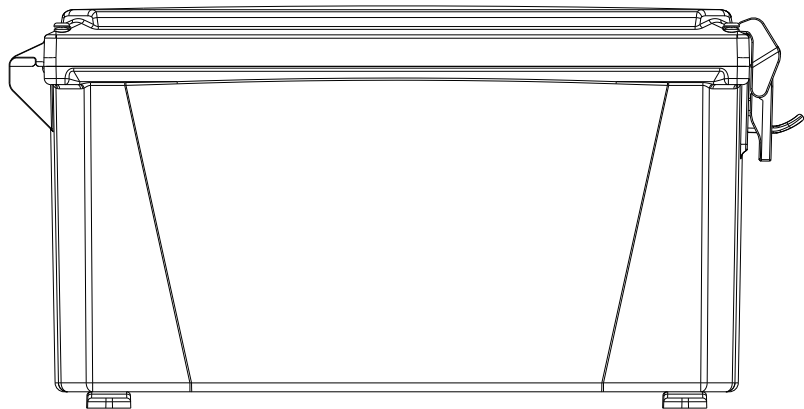
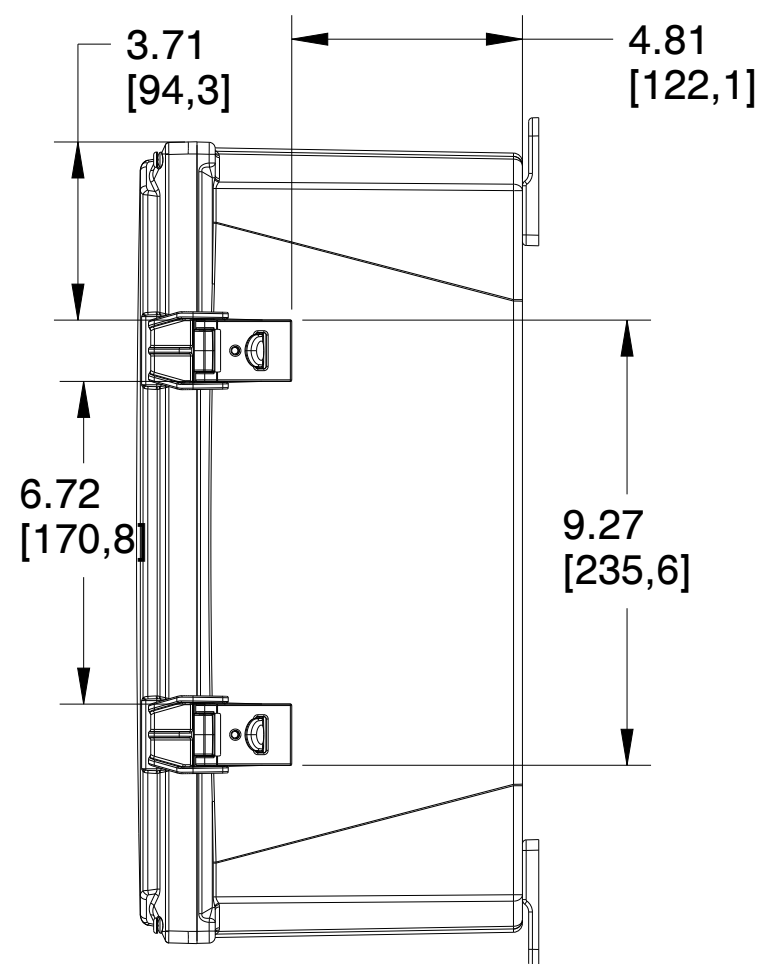
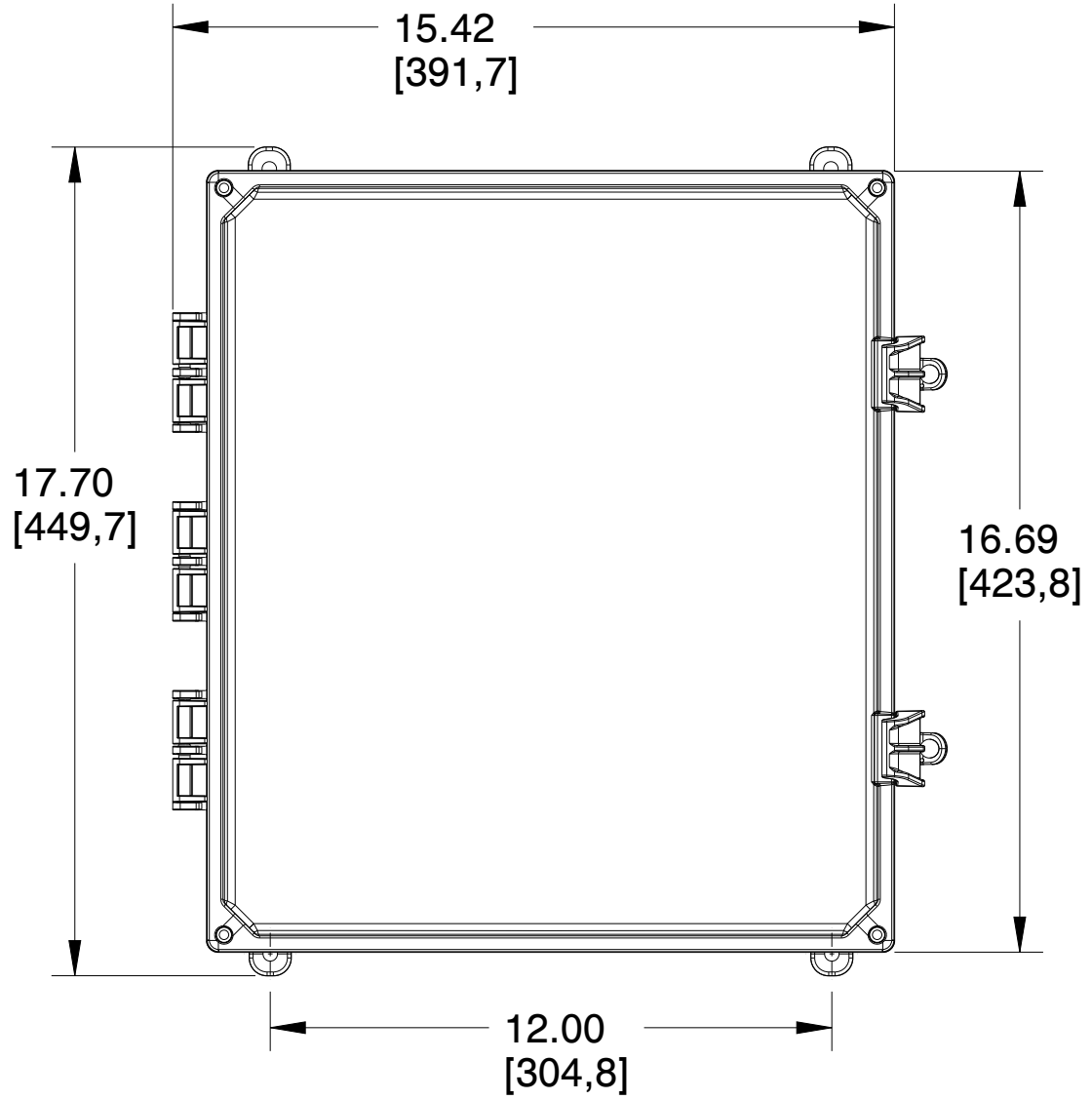
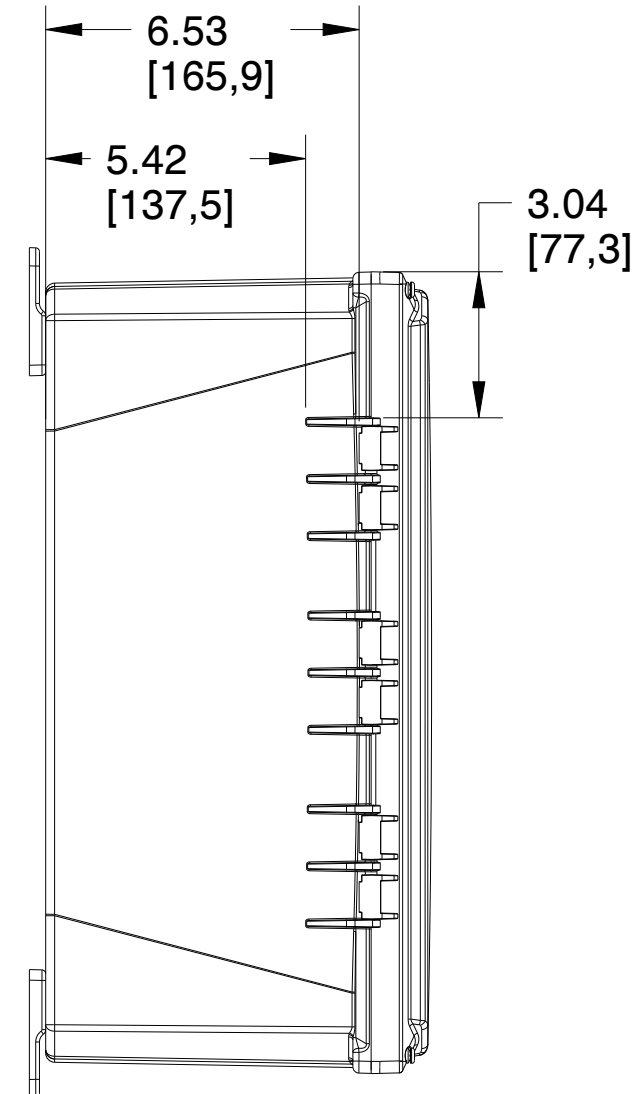
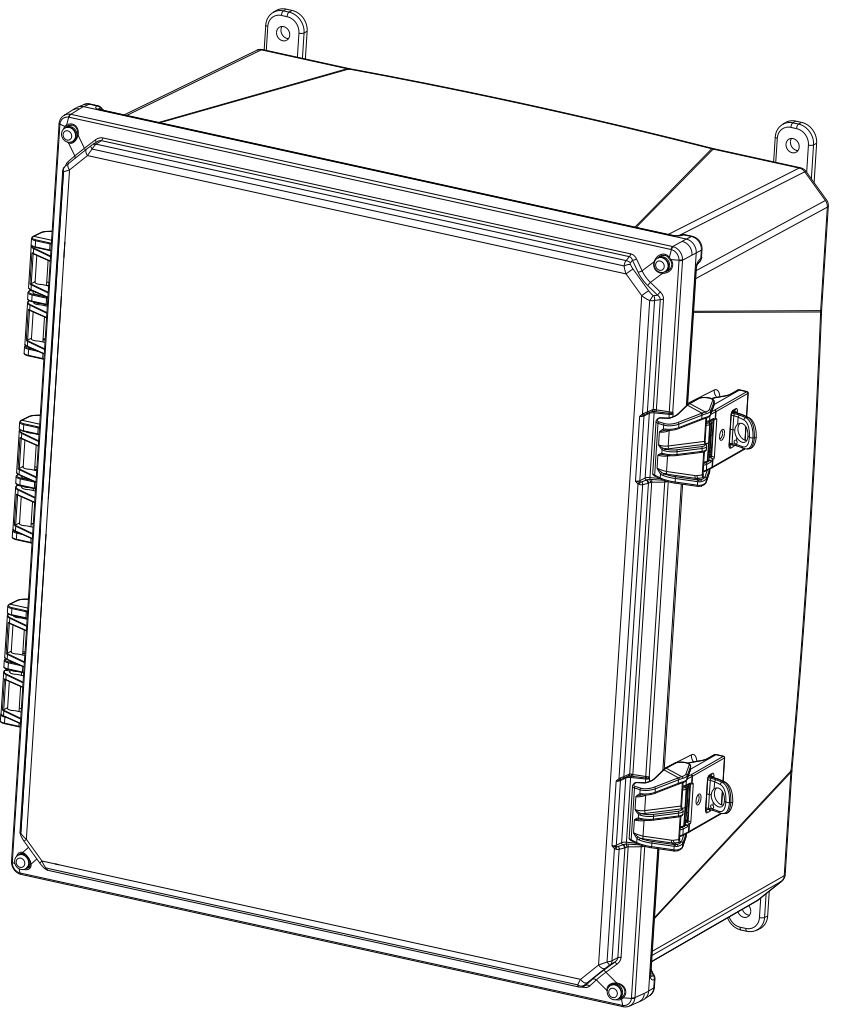
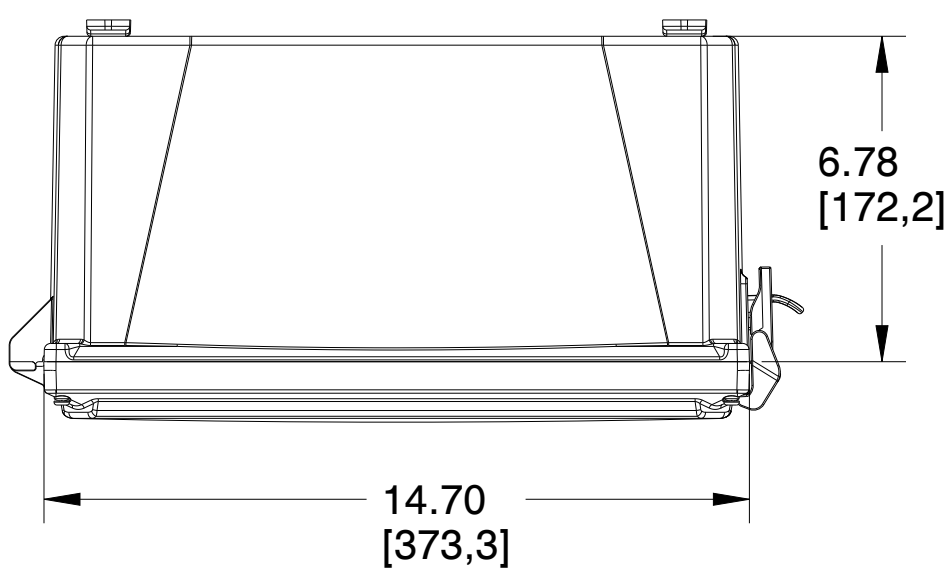
C

B

B

A

A



**INTEGRA ENCLOSURES**  
MUM INDUSTRIES  
8989 TYLER BLVD  
MENTOR, OHIO, U.S.A.  
(440) 269-8155 FAX (440) 269-8166

SCALE: 0.250 SHEET: 1 of 2 DRAWN BY: T.PAUL

TITLE: PREM-16X14X7-HNG-GRY-NML

DATE: 07.30.2021 DRAWING NUMBER: H161407HNL REV: A

UNLESS OTHERWISE SPECIFIED:  
DIMENSIONS ARE IN INCHES (mm)  
AND ARE NOMINAL ONLY.  
PROPRIETARY AND CONFIDENTIAL:  
THE INFORMATION CONTAINED IN THIS  
DRAWING IS THE SOLE PROPERTY OF  
INTEGRA ENCLOSURES. ANY  
REPRODUCTION IN PART OR AS A  
WHOLE WITHOUT THE WRITTEN  
PERMISSION OF INTEGRA  
ENCLOSURES IS PROHIBITED.

4

3

2

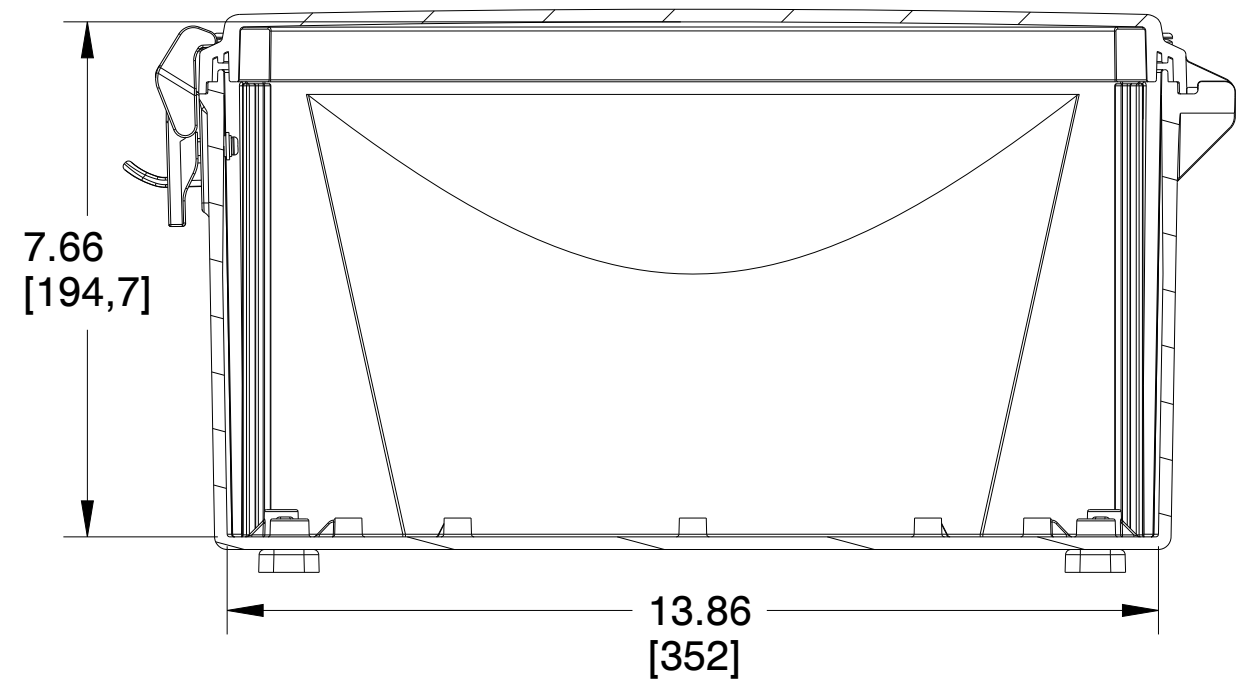
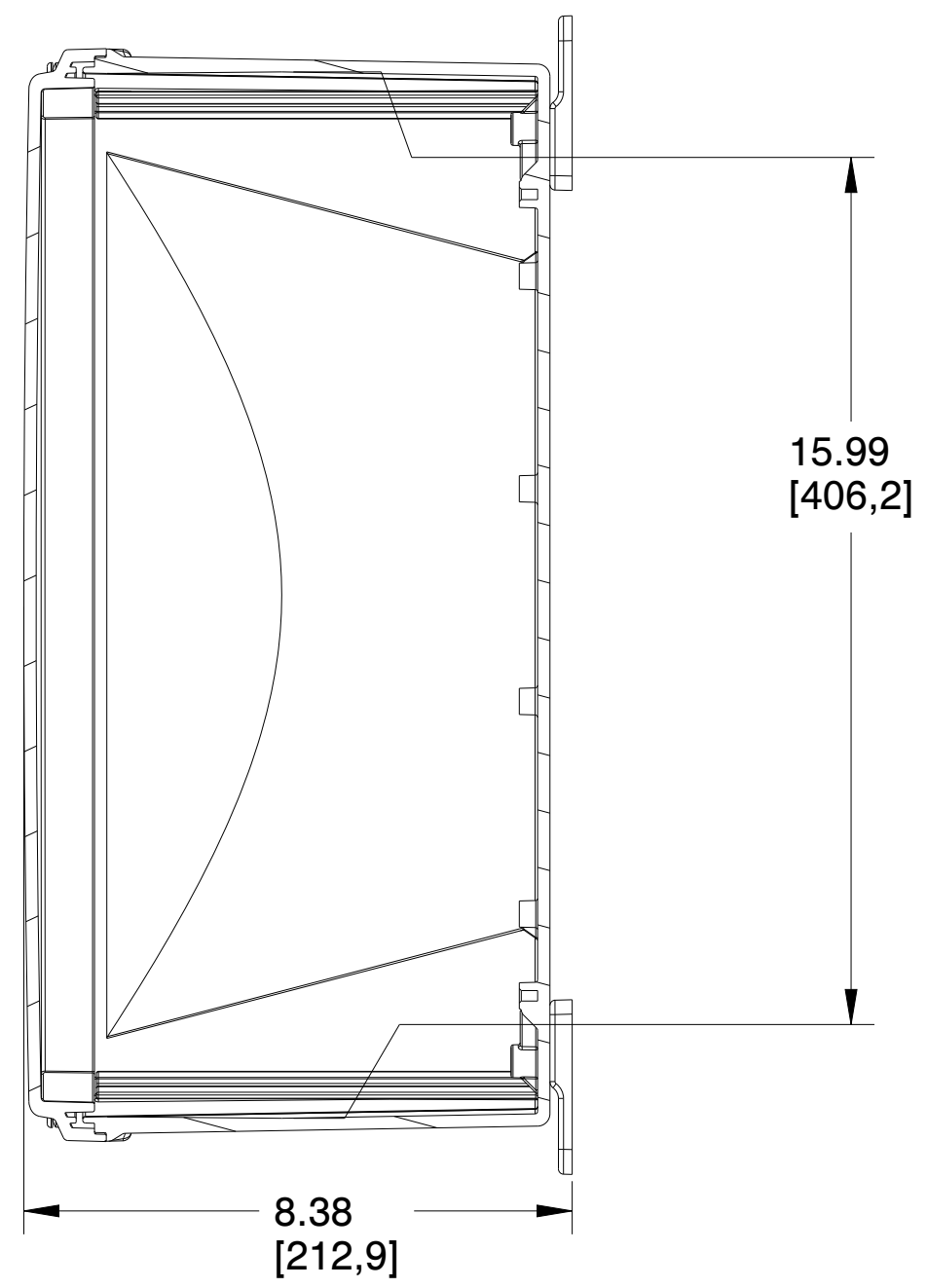
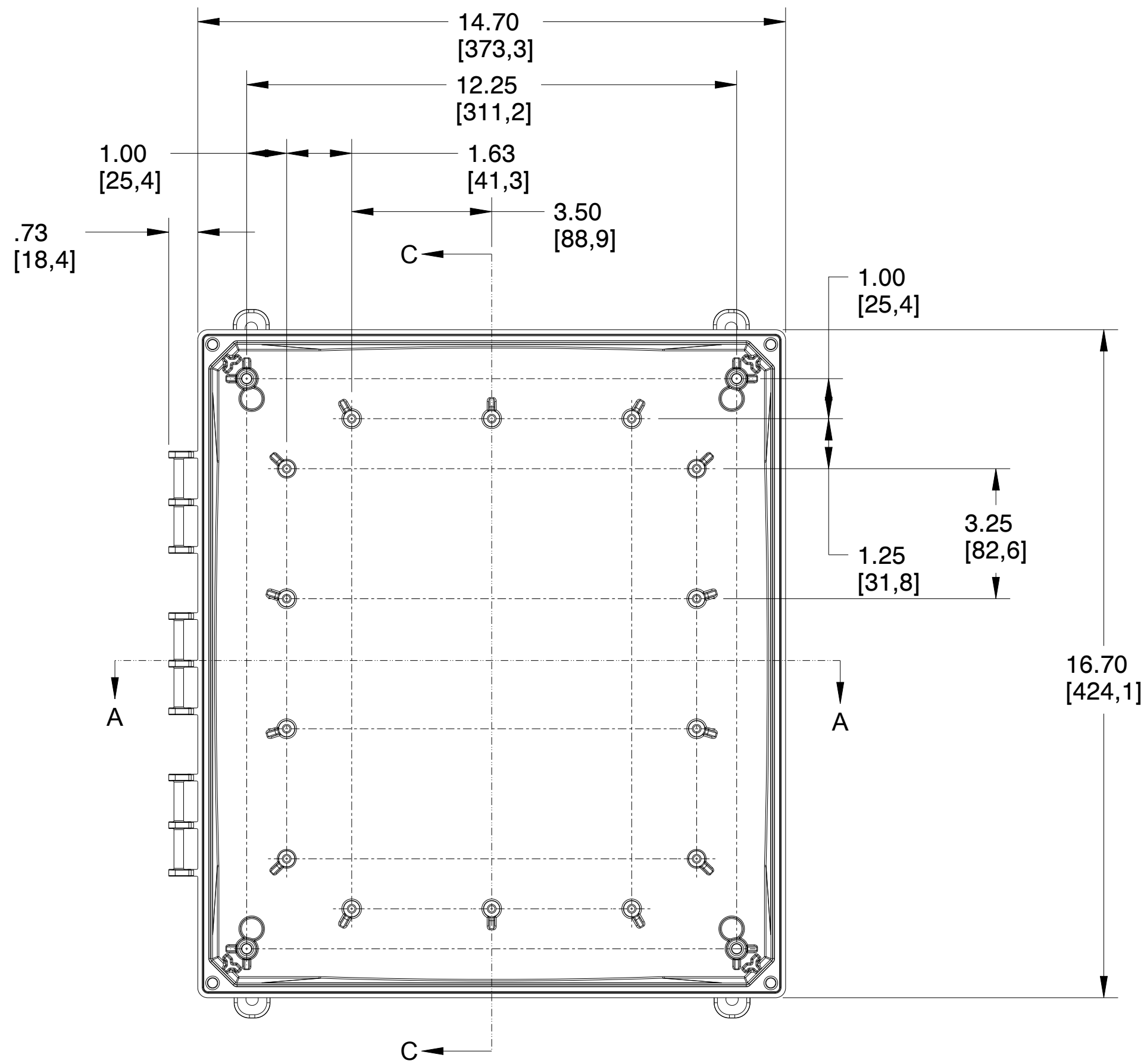
1

4

3

2

1



SECTION A-A

SECTION C-C

		MUM INDUSTRIES 8989 TYLER BLVD MENTOR, OHIO, U.S.A. (440) 269-8155 FAX (440) 269-8166	
SCALE	SHEET	DRAWN BY	
0.350	2 of 2	T.PAUL	
TITLE			
PREM-16X14X7-HNG-GRY-NML			
DATE	DRAWING NUMBER	REV	
07.30.2021	H161407HNL	A	

UNLESS OTHERWISE SPECIFIED:  
DIMENSIONS ARE IN INCHES (mm)  
AND ARE NOMINAL ONLY

PROPRIETARY AND CONFIDENTIAL:  
THE INFORMATION CONTAINED IN THIS  
DRAWING IS THE SOLE PROPERTY OF  
INTEGRA ENCLOSURES. ANY  
REPRODUCTION IN PART OR AS A  
WHOLE WITHOUT THE WRITTEN  
PERMISSION OF INTEGRA  
ENCLOSURES IS PROHIBITED.

4

3

2

1

D

D

C

C

B

B

A

A