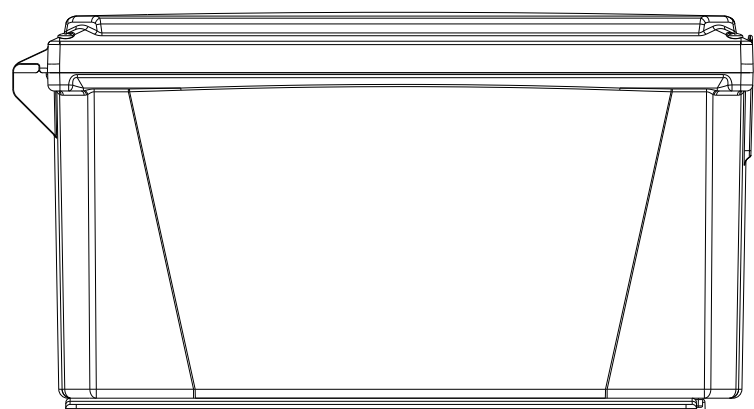
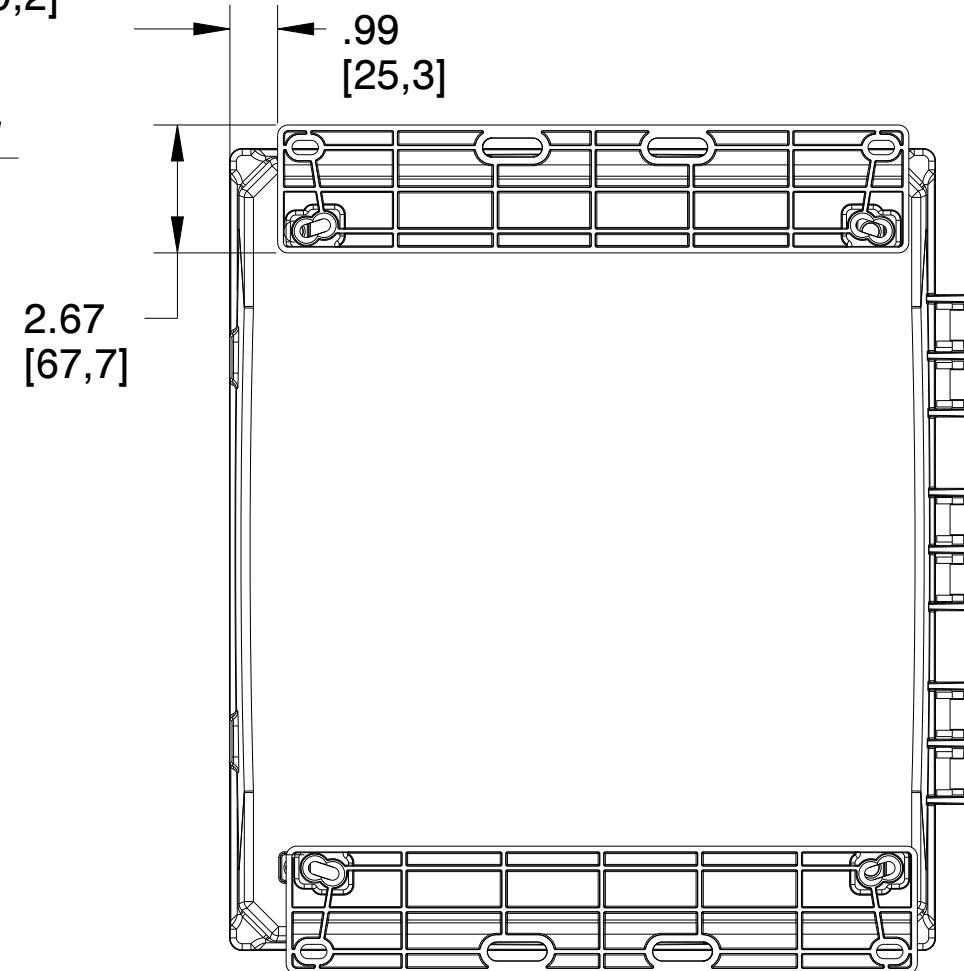
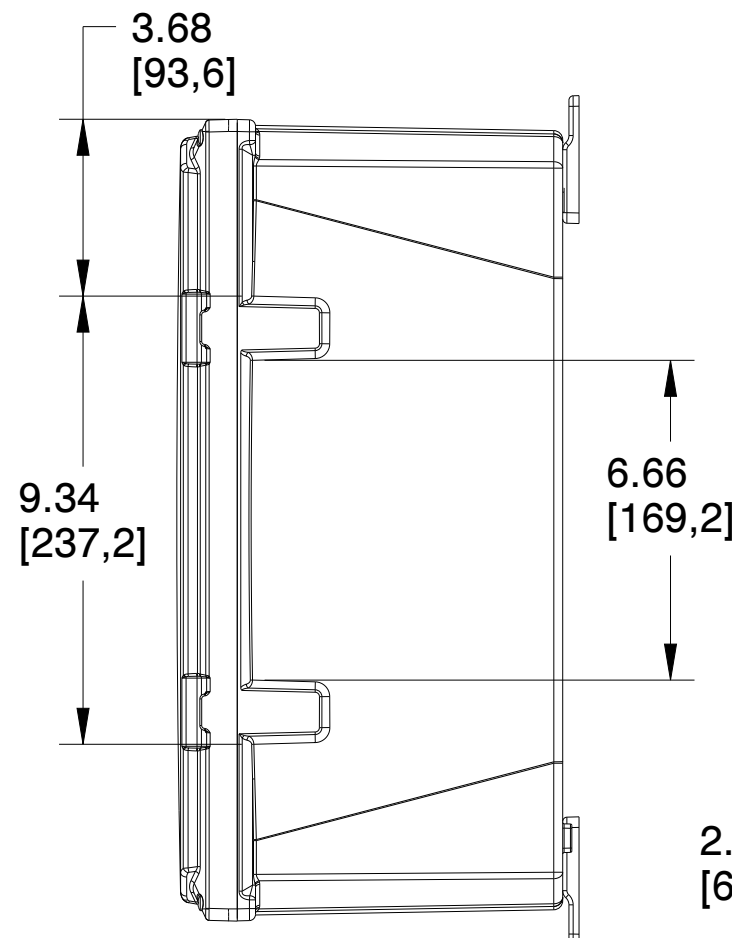
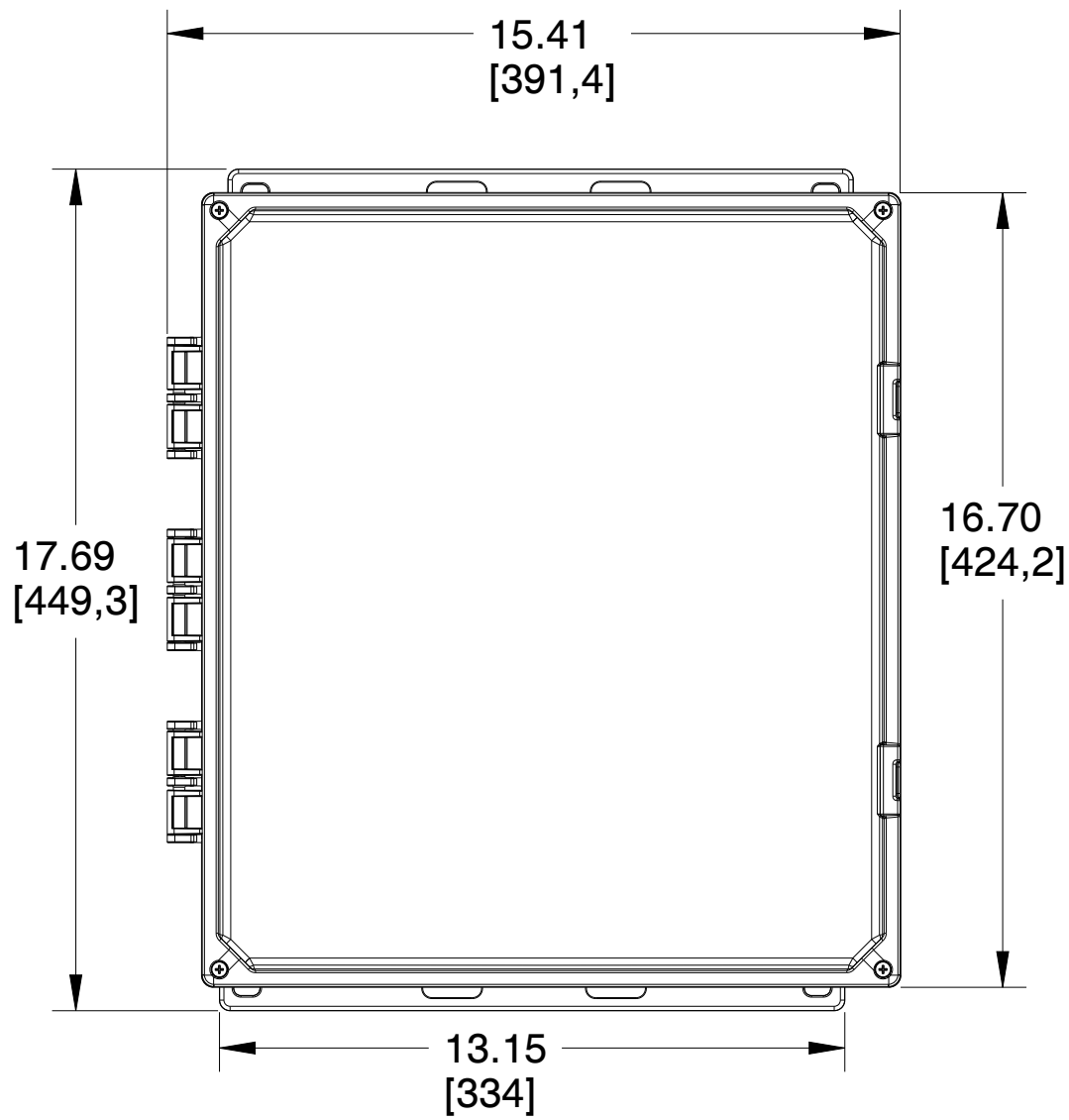
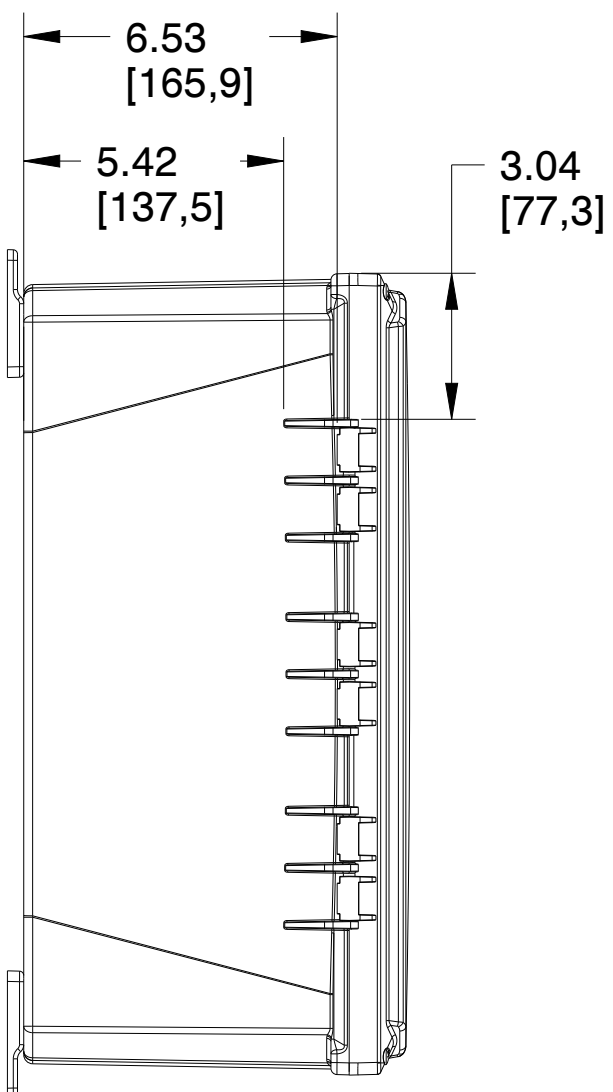
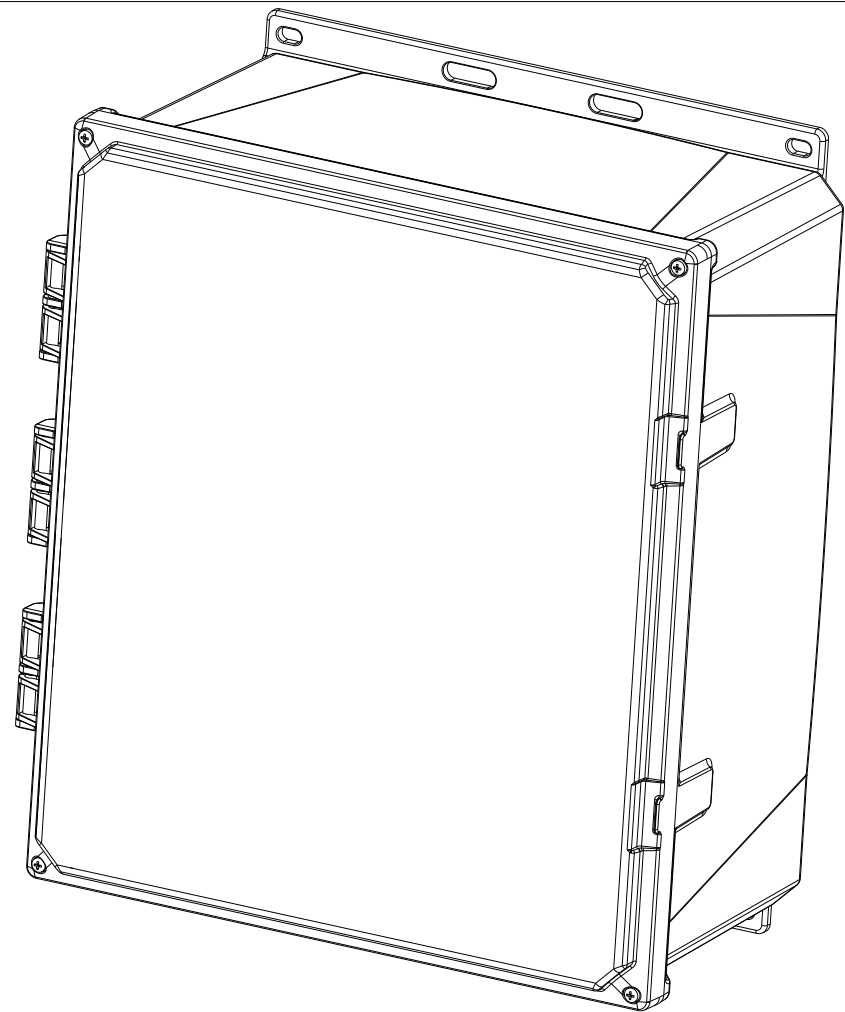
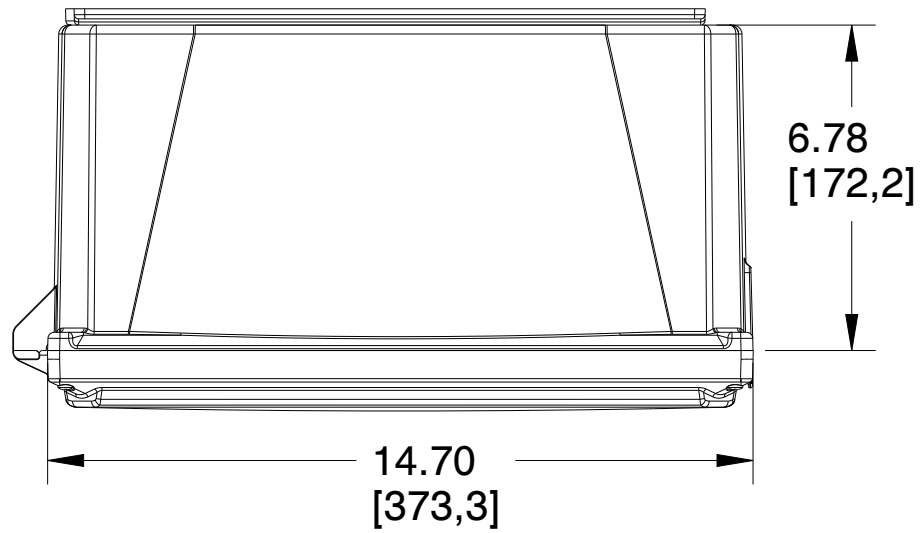


4

3

2

1



MUM INDUSTRIES  
8989 TYLER BLVD  
MENTOR, OHIO, U.S.A.  
(440) 269-8155 FAX (440) 269-8166

SCALE	SHEET	DRAWN BY
0.250	1 of 2	T.PAUL
TITLE		
PREM-16X14X7-HNG-GRY		
DATE	DRAWING NUMBER	REV
07.30.2021	H161407HF	A

UNLESS OTHERWISE SPECIFIED:  
DIMENSIONS ARE IN INCHES (mm)  
AND ARE NOMINAL ONLY

PROPRIETARY AND CONFIDENTIAL:  
THE INFORMATION CONTAINED IN THIS  
DRAWING IS THE SOLE PROPERTY OF  
INTEGRA ENCLOSURES. ANY  
REPRODUCTION IN PART OR AS A  
WHOLE WITHOUT THE WRITTEN  
PERMISSION OF INTEGRA  
ENCLOSURES IS PROHIBITED.

4

3

2

1

D

D

C

C

B

B

A

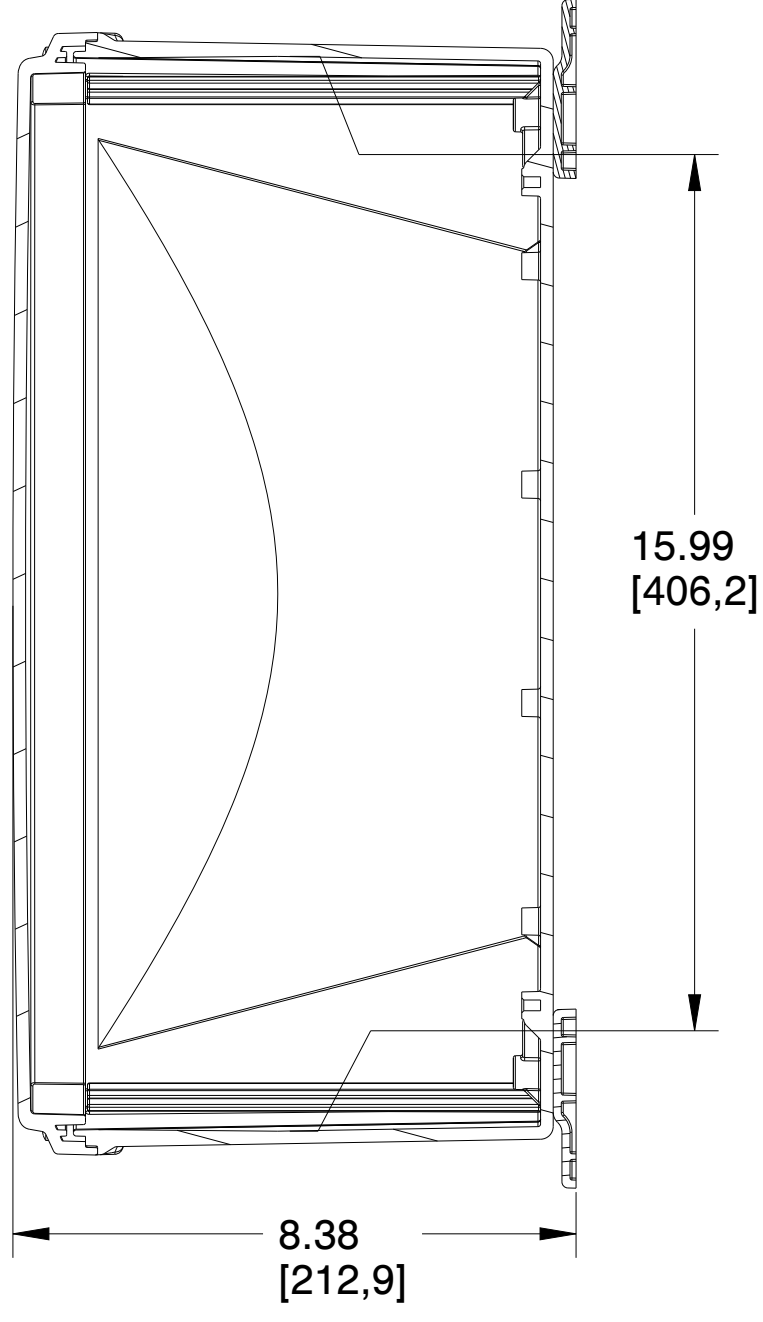
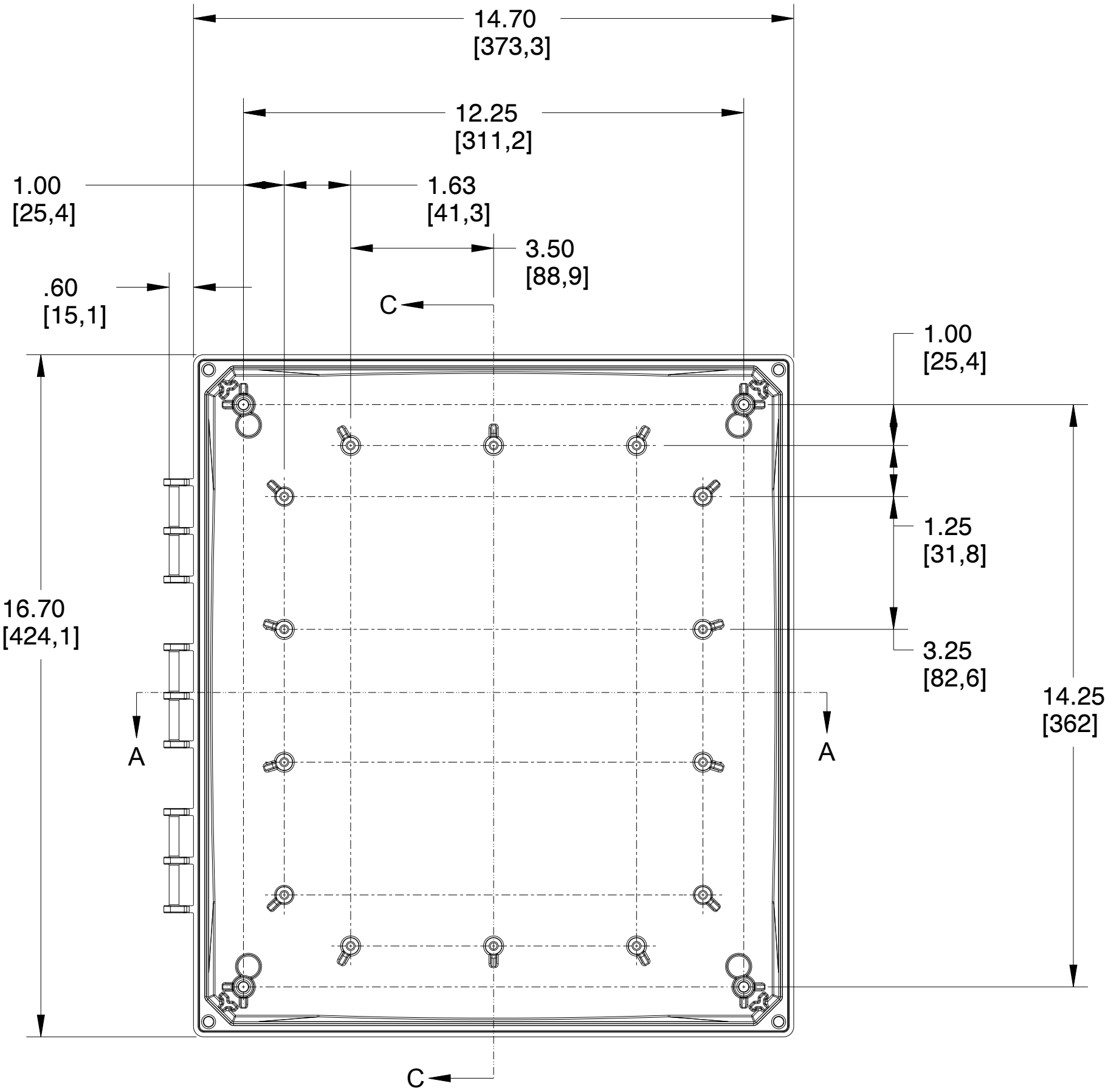
A

4

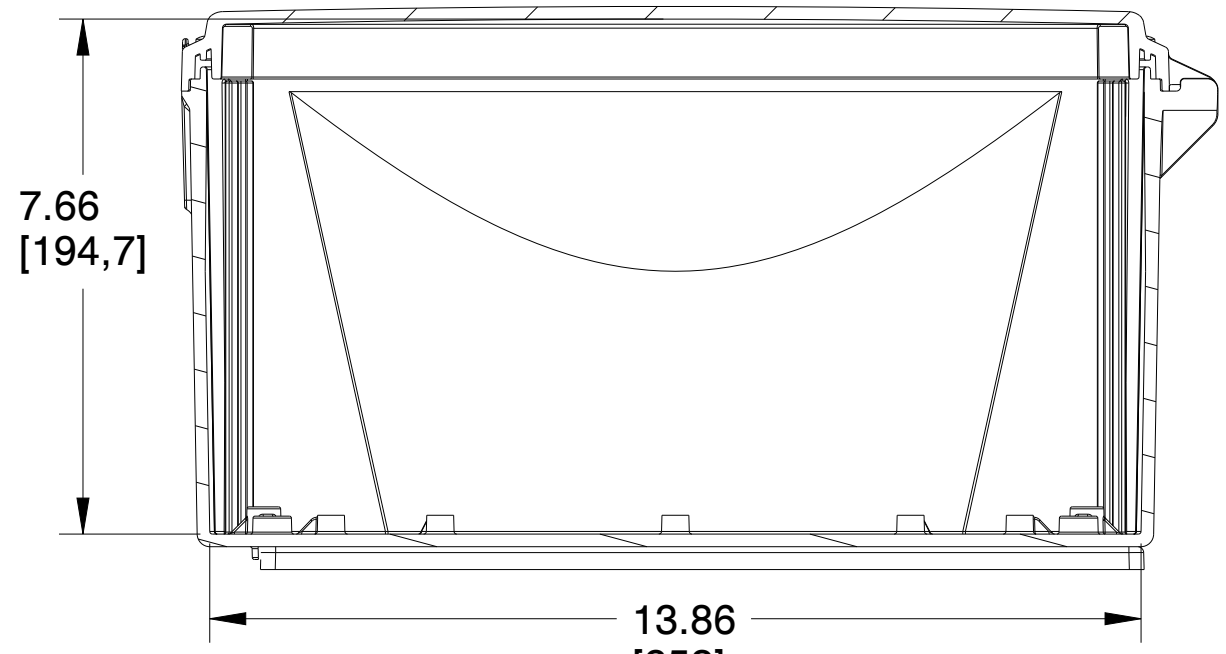
3

2

1



SECTION C-C



SECTION A-A

		MUM INDUSTRIES 8989 TYLER BLVD MENTOR, OHIO, U.S.A. (440) 269-8155 FAX (440) 269-8166	
SCALE	SHEET	DRAWN BY	
0.350	2 of 2	T.PAUL	
TITLE			
PREM-16X14X7-HNG-GRY			
DATE	DRAWING NUMBER	REV	
07.30.2021	H161407HF	A	

UNLESS OTHERWISE SPECIFIED:  
DIMENSIONS ARE IN INCHES (mm)  
AND ARE NOMINAL ONLY

PROPRIETARY AND CONFIDENTIAL:  
THE INFORMATION CONTAINED IN THIS  
DRAWING IS THE SOLE PROPERTY OF  
INTEGRA ENCLOSURES. ANY  
REPRODUCTION IN PART OR AS A  
WHOLE WITHOUT THE WRITTEN  
PERMISSION OF INTEGRA  
ENCLOSURES IS PROHIBITED.

4

3

2

1