

4

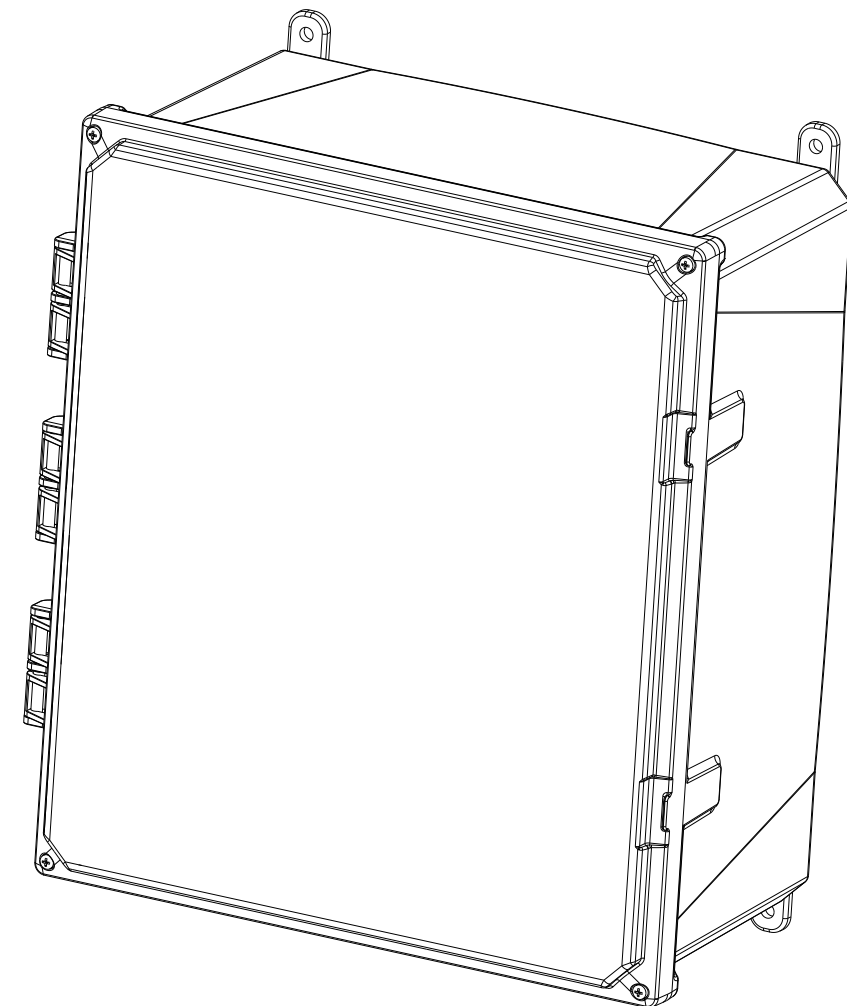
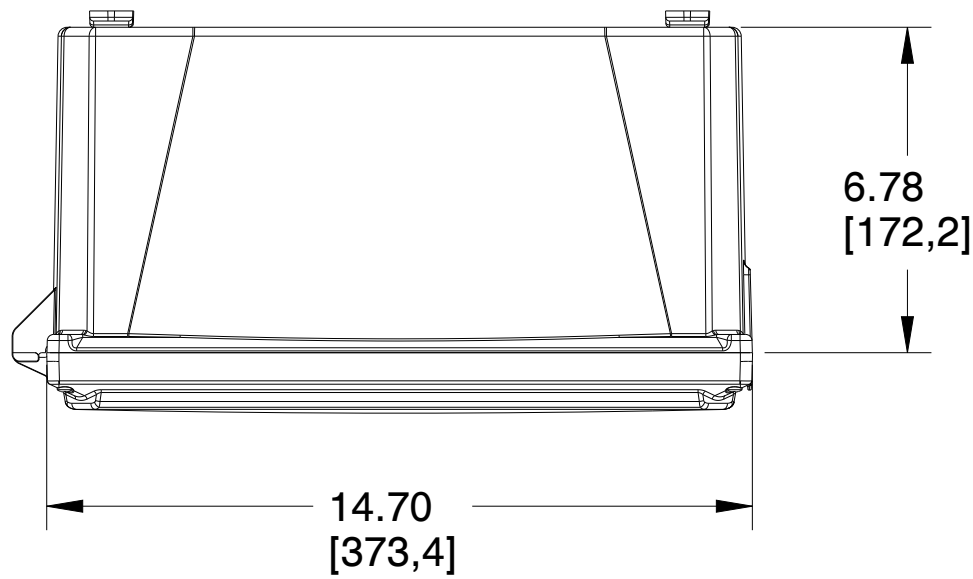
3

2

1

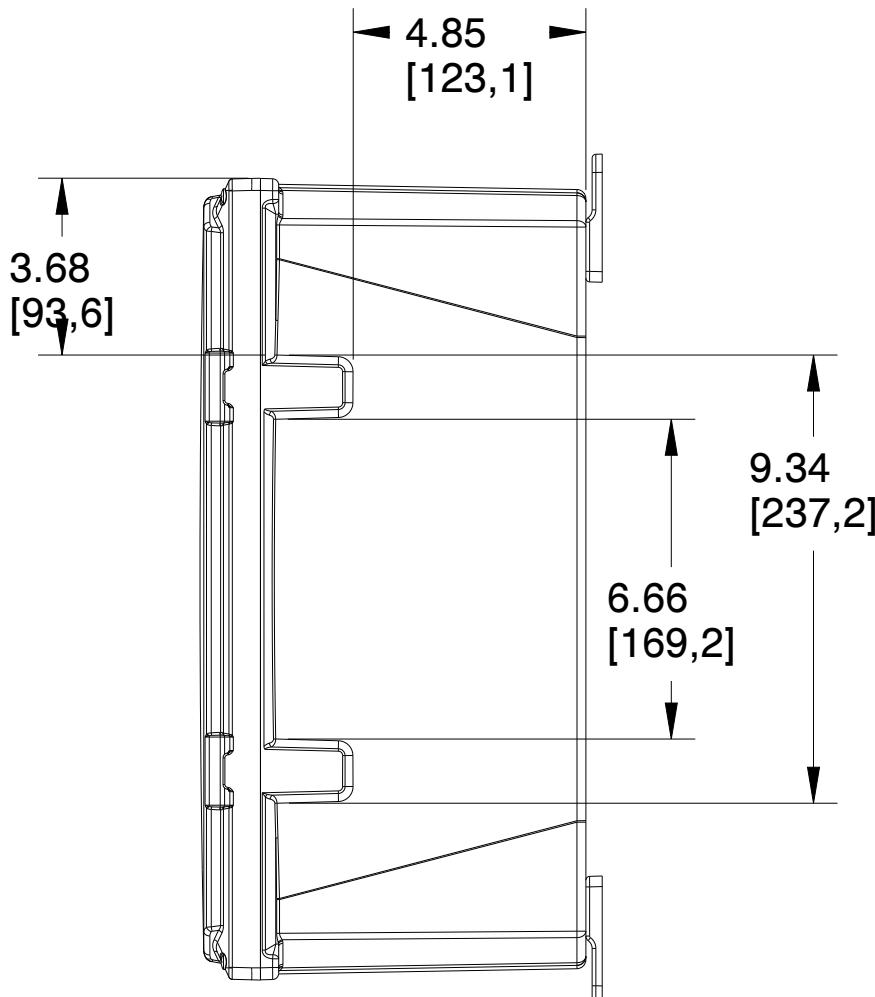
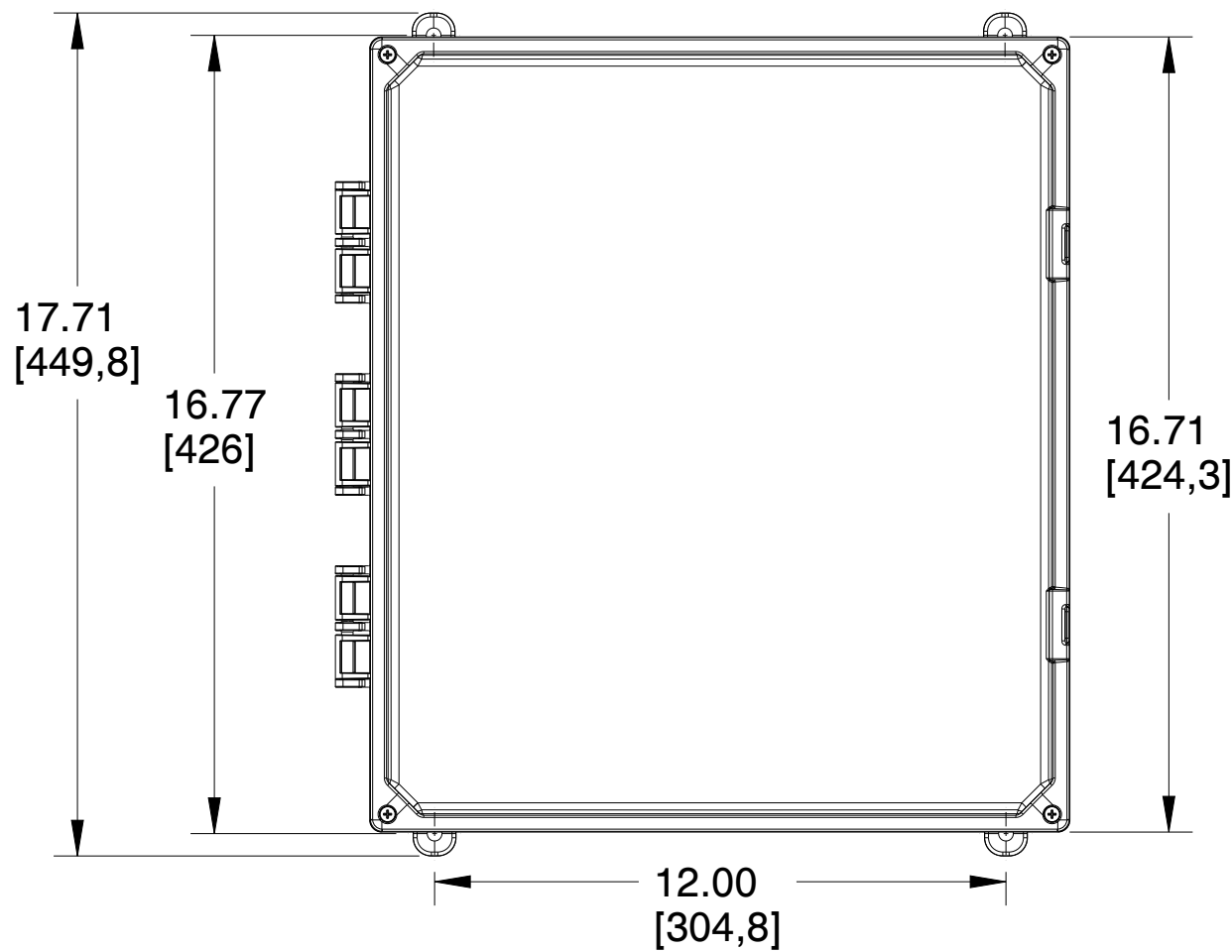
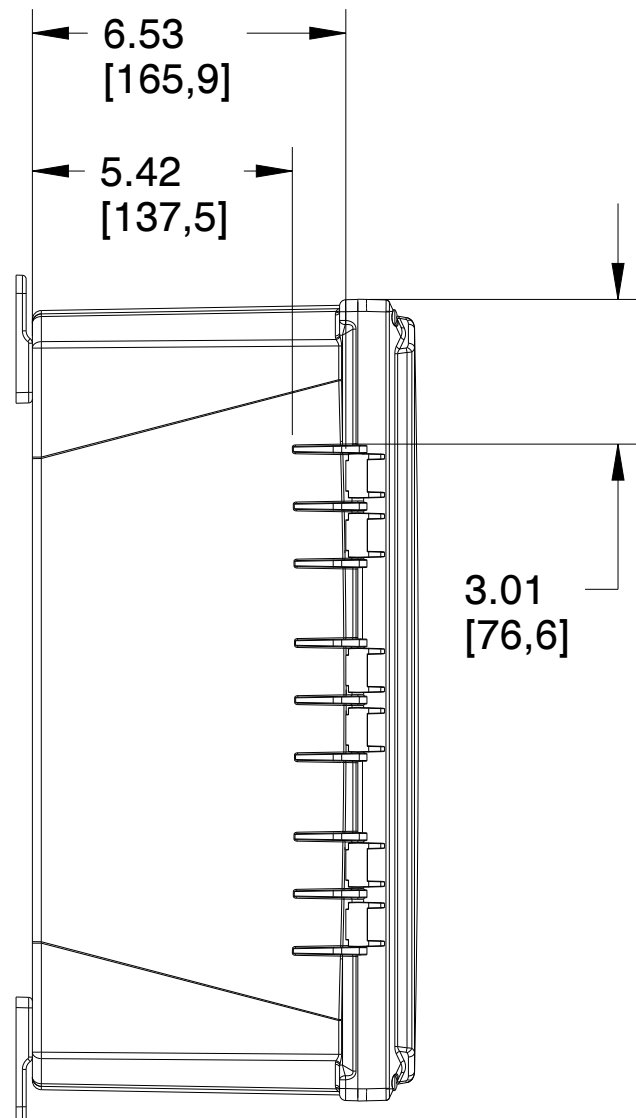
D

D



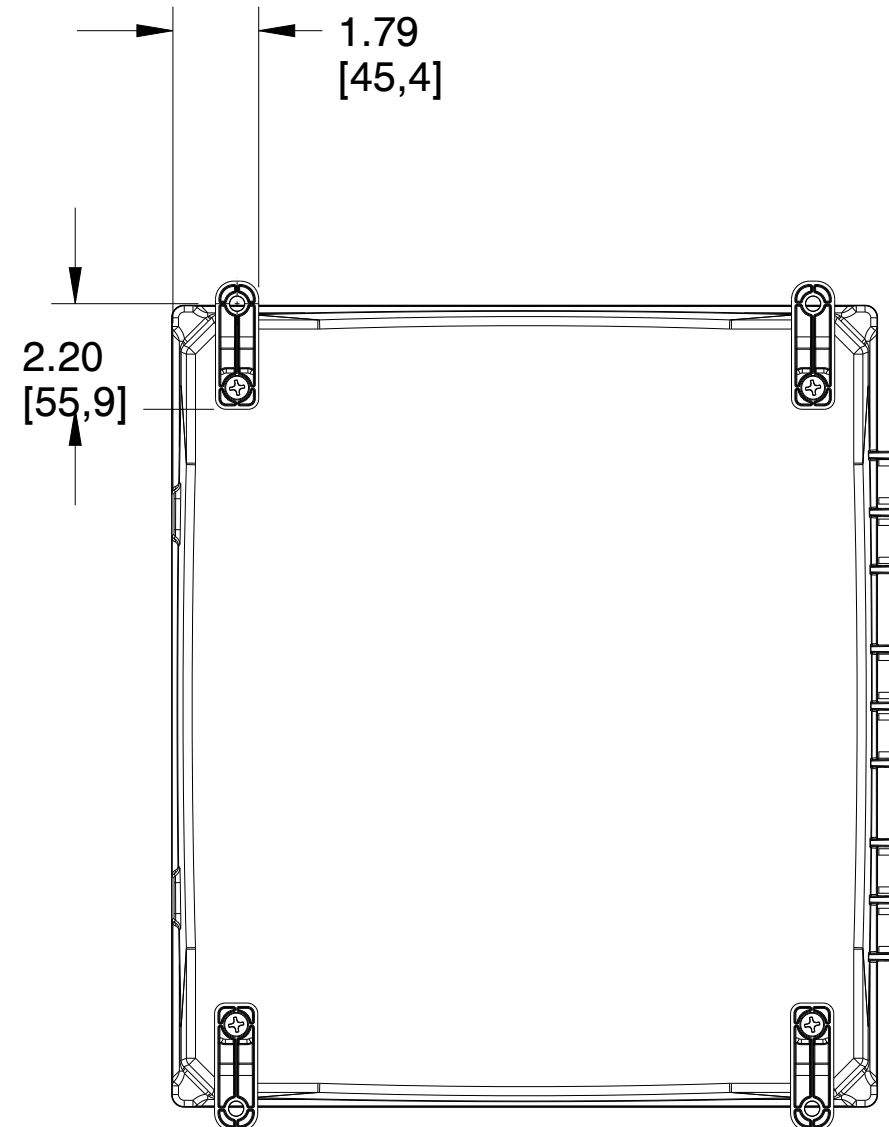
C

C



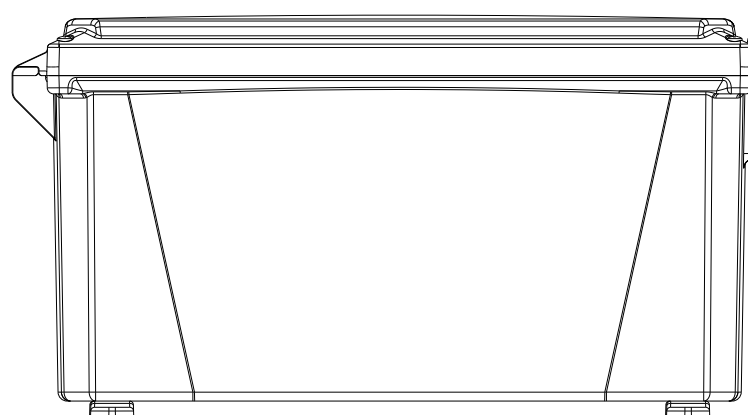
B

B



A

A



4

3

2

1

		MUM INDUSTRIES 8989 TYLER BLVD MENTOR, OHIO, U.S.A. (440) 269-8155 FAX (440) 269-8166
SCALE 0.250	SHEET 1 of 2	DRAWN BY T.PAUL
TITLE PREM-16X14X7-HNG		
DATE 07.15.2021	DRAWING NUMBER H161406H	REV A

UNLESS OTHERWISE SPECIFIED:
DIMENSIONS ARE IN INCHES (mm)
AND ARE NOMINAL ONLY

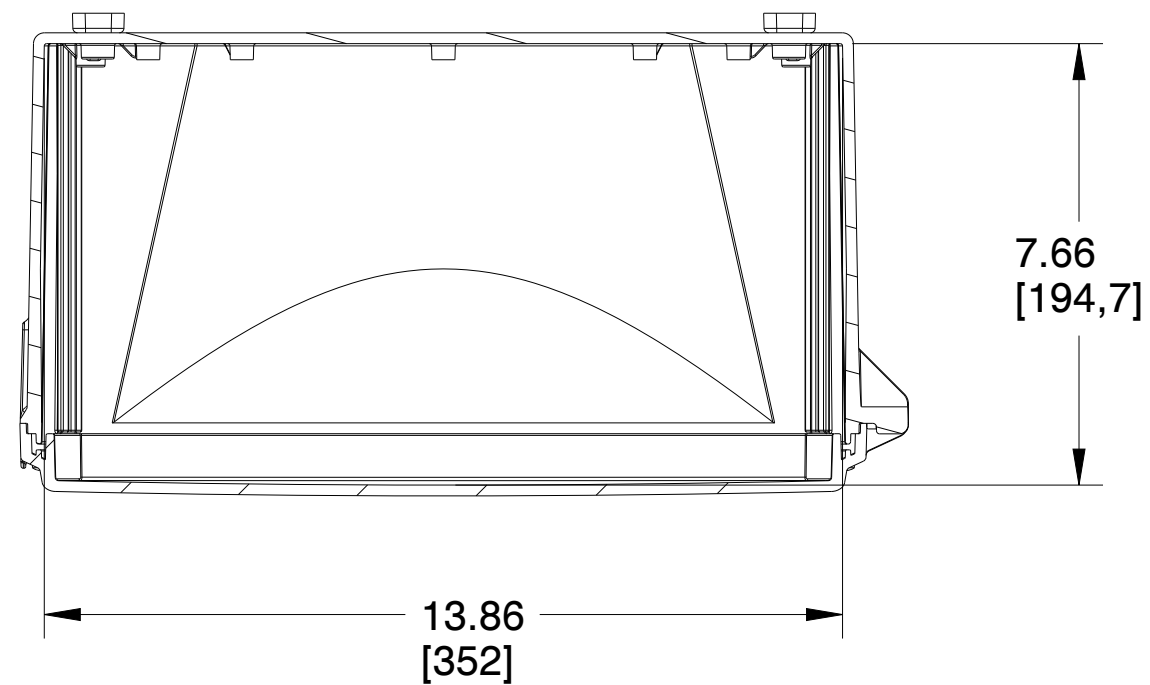
PROPRIETARY AND CONFIDENTIAL:
THE INFORMATION CONTAINED IN THIS
DRAWING IS THE SOLE PROPERTY OF
INTEGRA ENCLOSURES. ANY
REPRODUCTION IN PART OR AS A
WHOLE WITHOUT THE WRITTEN
PERMISSION OF INTEGRA
ENCLOSURES IS PROHIBITED.

4

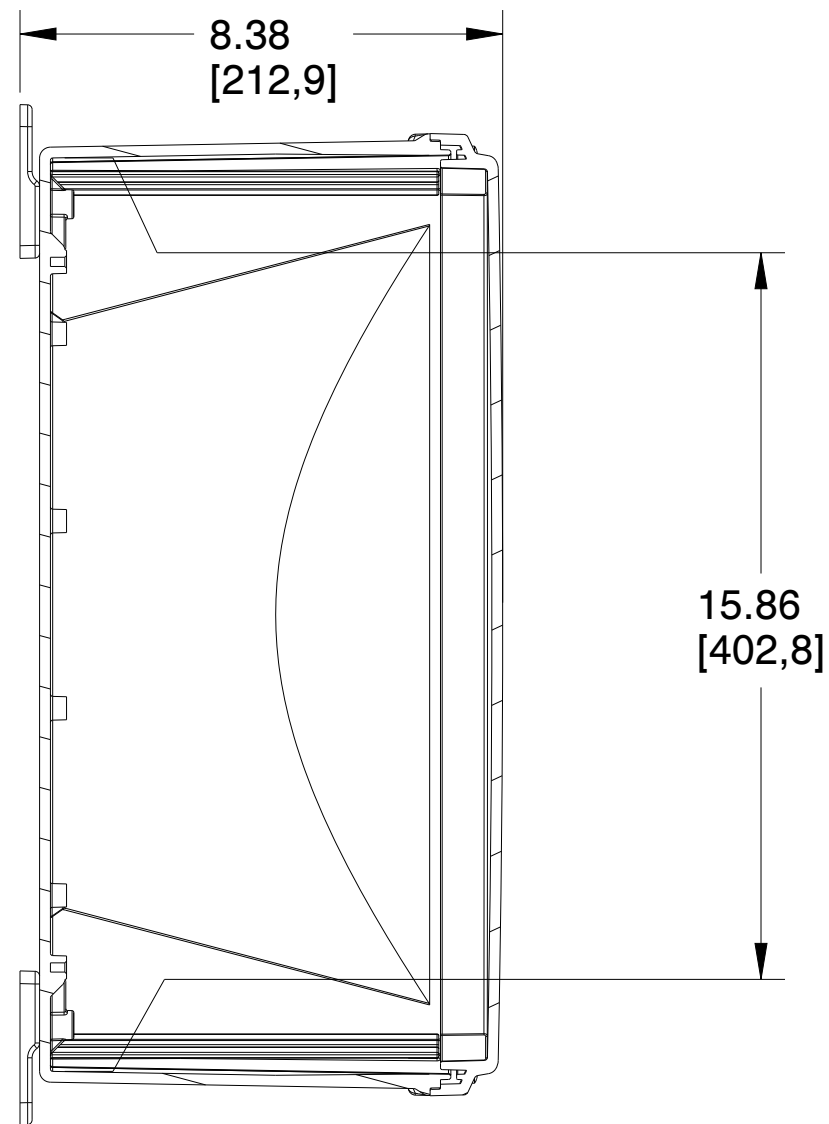
3

2

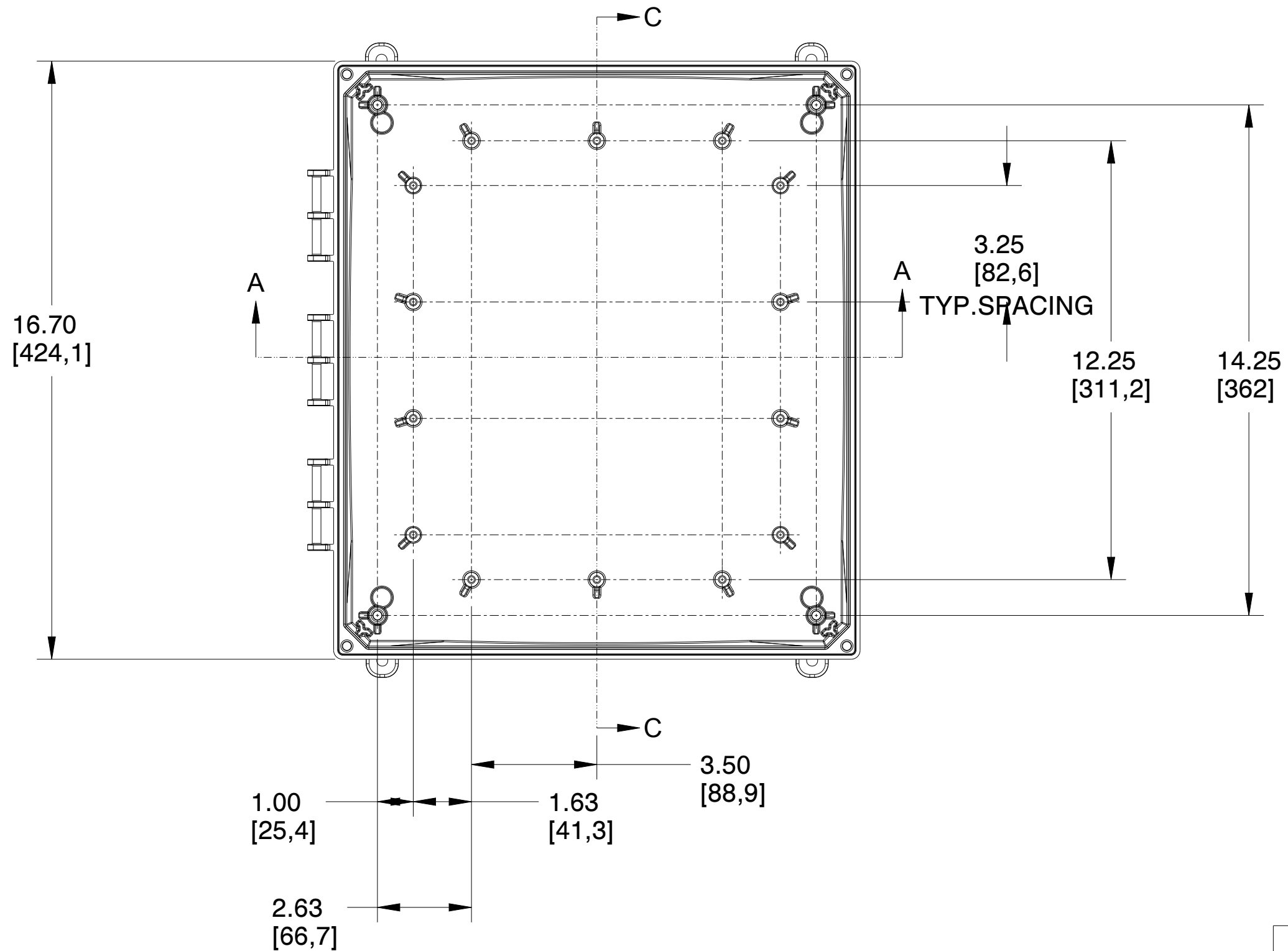
1



SECTION A-A



SECTION C-C



		MUM INDUSTRIES 8989 TYLER BLVD MENTOR, OHIO, U.S.A. (440) 269-8155 FAX (440) 269-8166	
		SCALE 0.300	SHEET 2 of 2
TITLE PREM-16X14X7-HNG			
<small>UNLESS OTHERWISE SPECIFIED: DIMENSIONS ARE IN INCHES (mm) AND ARE NOMINAL ONLY</small>		DATE 07.15.2021	DRAWING NUMBER H161406H
<small>PROPRIETARY AND CONFIDENTIAL: THE INFORMATION CONTAINED IN THIS DRAWING IS THE SOLE PROPERTY OF INTEGRA ENCLOSURES. ANY REPRODUCTION IN PART OR AS A WHOLE WITHOUT THE WRITTEN PERMISSION OF INTEGRA ENCLOSURES IS PROHIBITED.</small>			REV A

4

3

2

1