

4

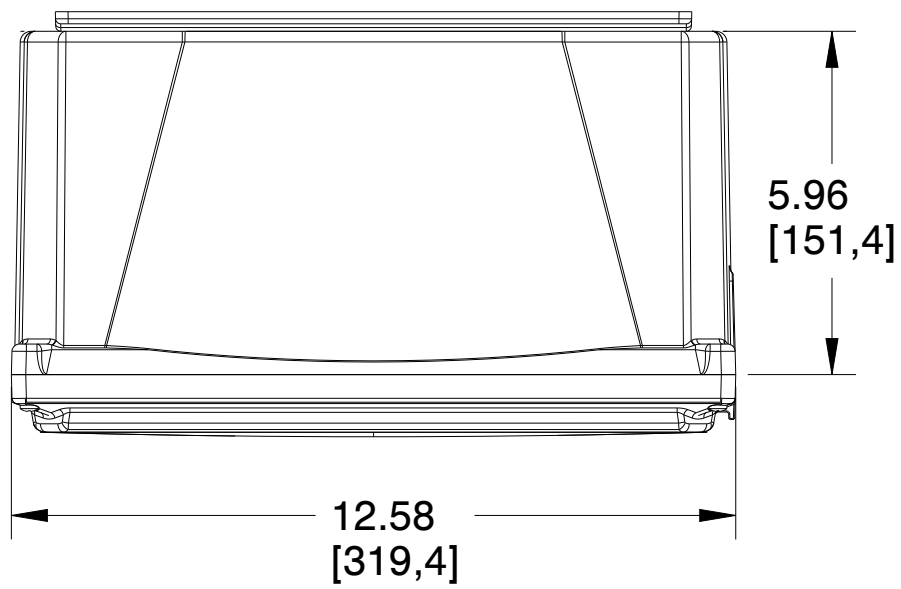
3

2

1

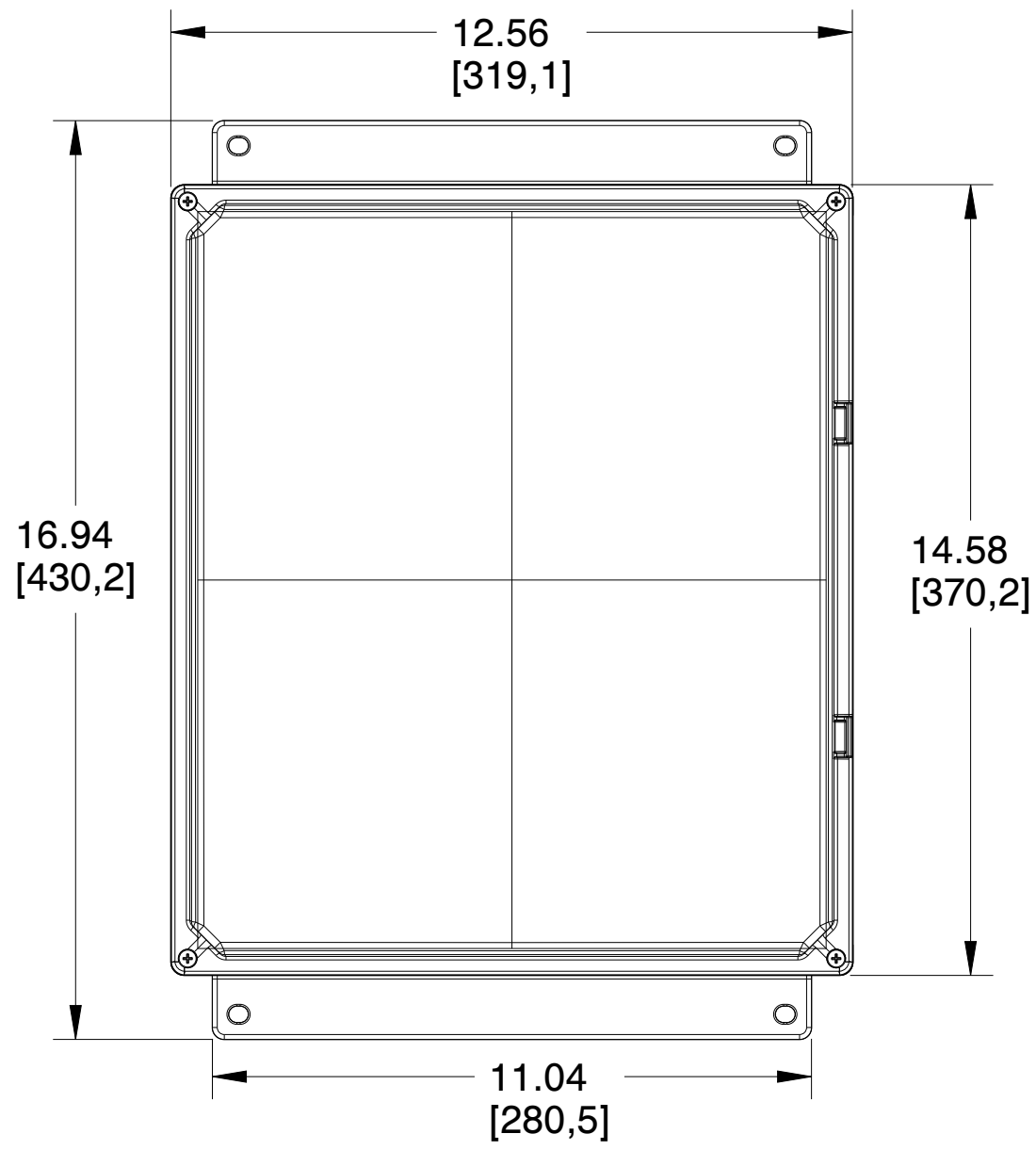
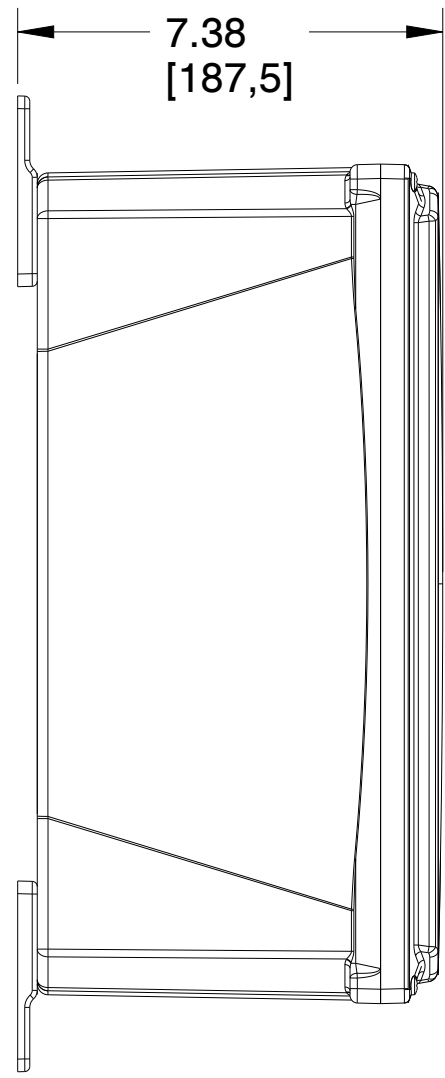
D

D



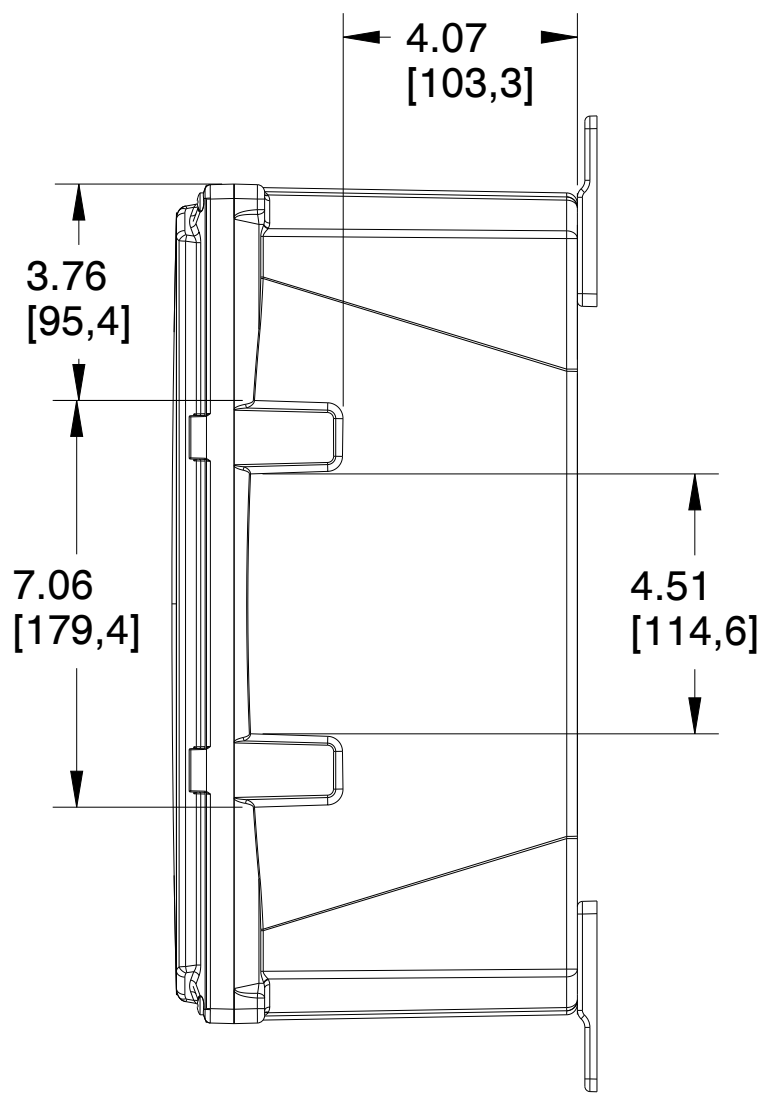
C

C



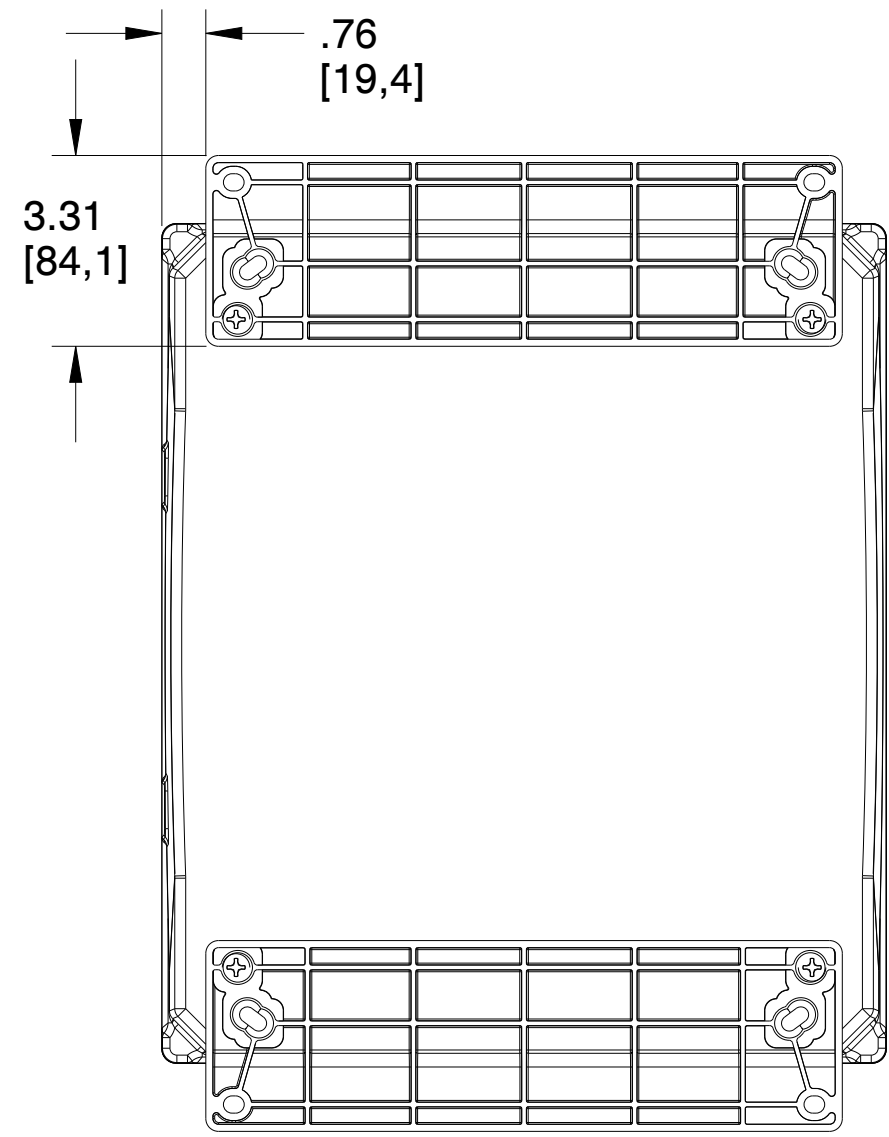
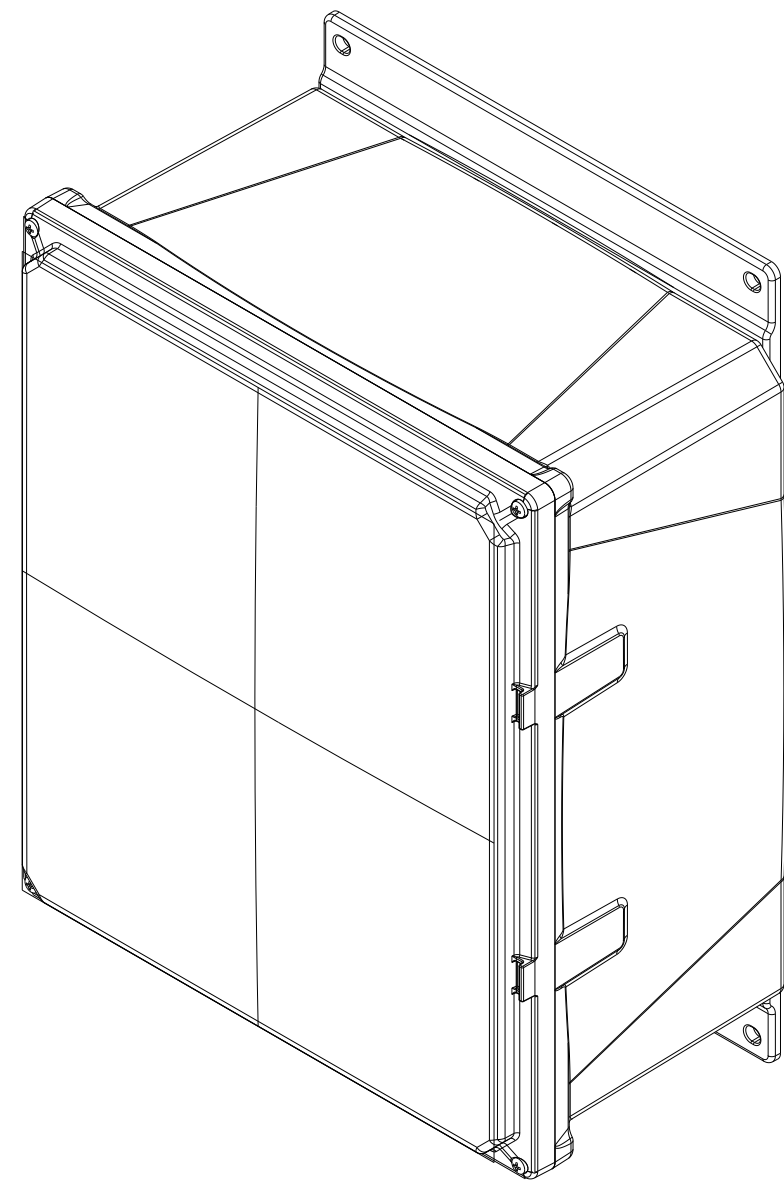
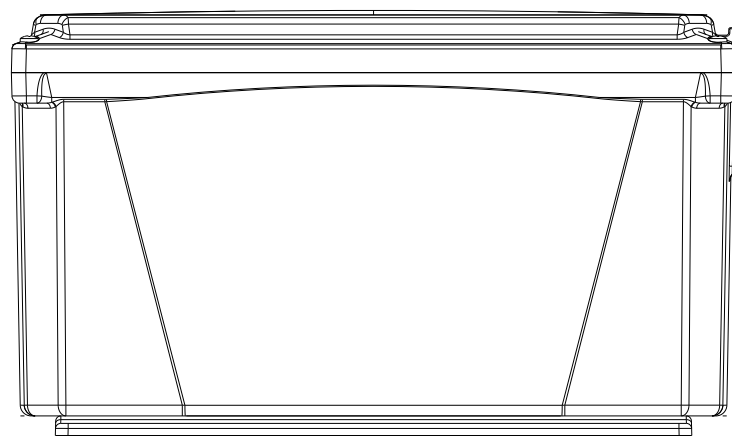
B

B



A

A



| | | | |
|-----------------------|----------------|--|--|
| | | MUM INDUSTRIES 8989 TYLER BLVD MENTOR, OHIO, U.S.A. (440) 269-8155 FAX (440) 269-8166 | |
| SCALE | SHEET | DRAWN BY | |
| 0.300 | 1 of 2 | T.PAUL | |
| TITLE | | | |
| PREM-14X12X6-SCR-FLNG | | | |
| DATE | DRAWING NUMBER | REV | |
| 08.03.2021 | H141206SF | A | |

UNLESS OTHERWISE SPECIFIED:
DIMENSIONS ARE IN INCHES (mm)
AND ARE NOMINAL ONLY

PROPRIETARY AND CONFIDENTIAL:
THE INFORMATION CONTAINED IN THIS
DRAWING IS THE SOLE PROPERTY OF
INTEGRA ENCLOSURES. ANY
REPRODUCTION IN PART OR AS A
WHOLE WITHOUT THE WRITTEN
PERMISSION OF INTEGRA
ENCLOSURES IS PROHIBITED.

4

3

2

1

4

3

2

1

D

D

C

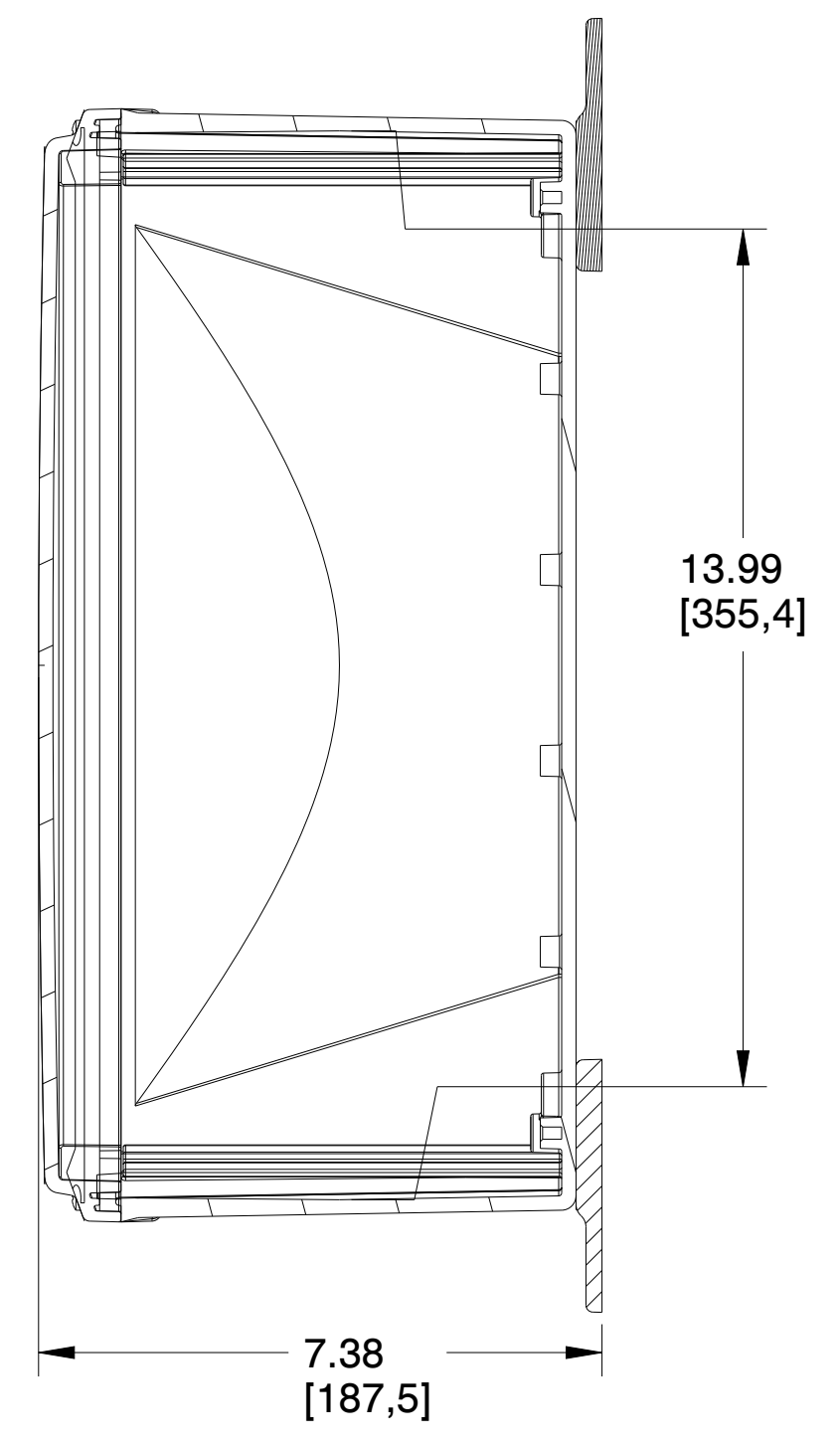
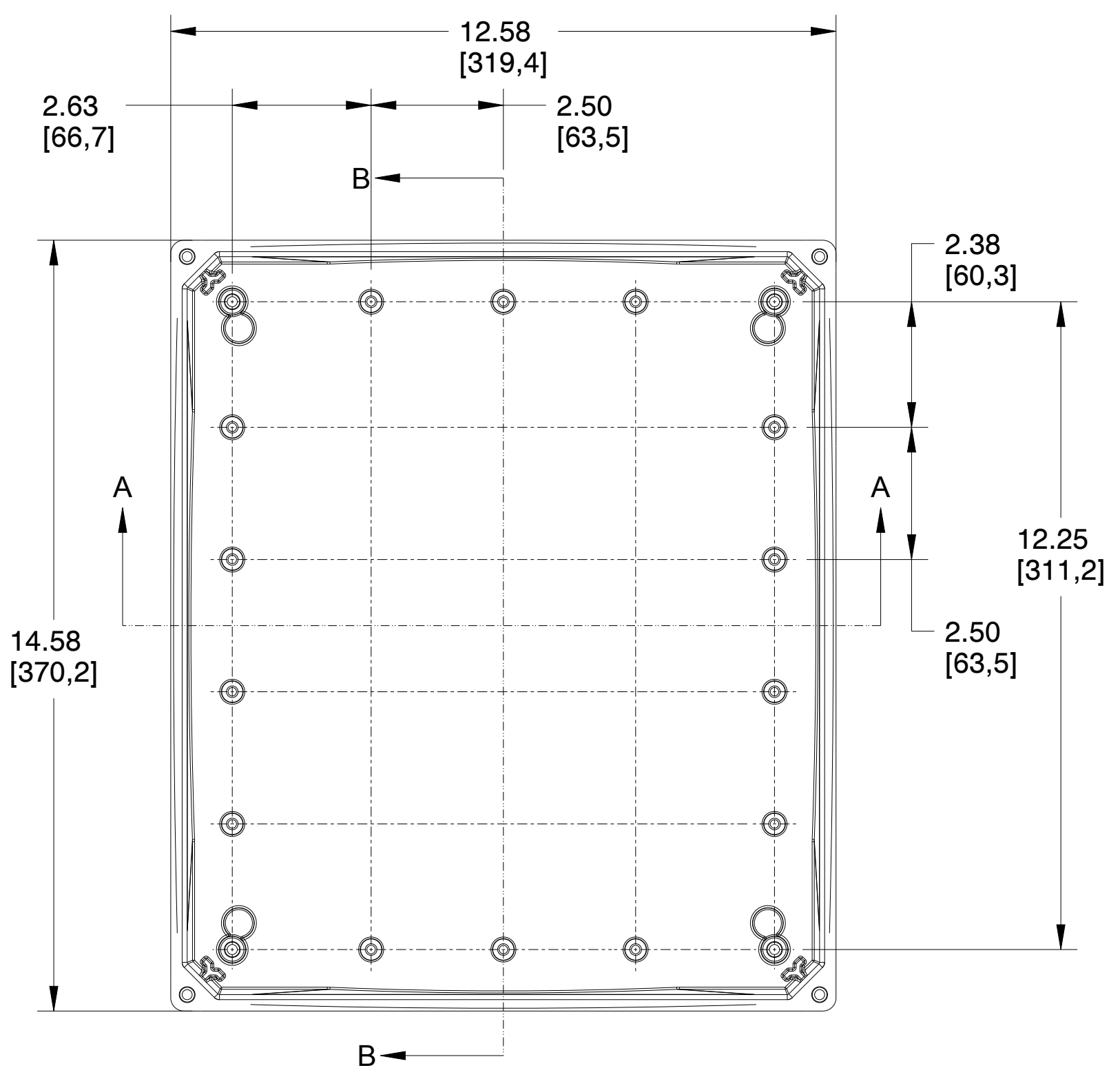
C

B

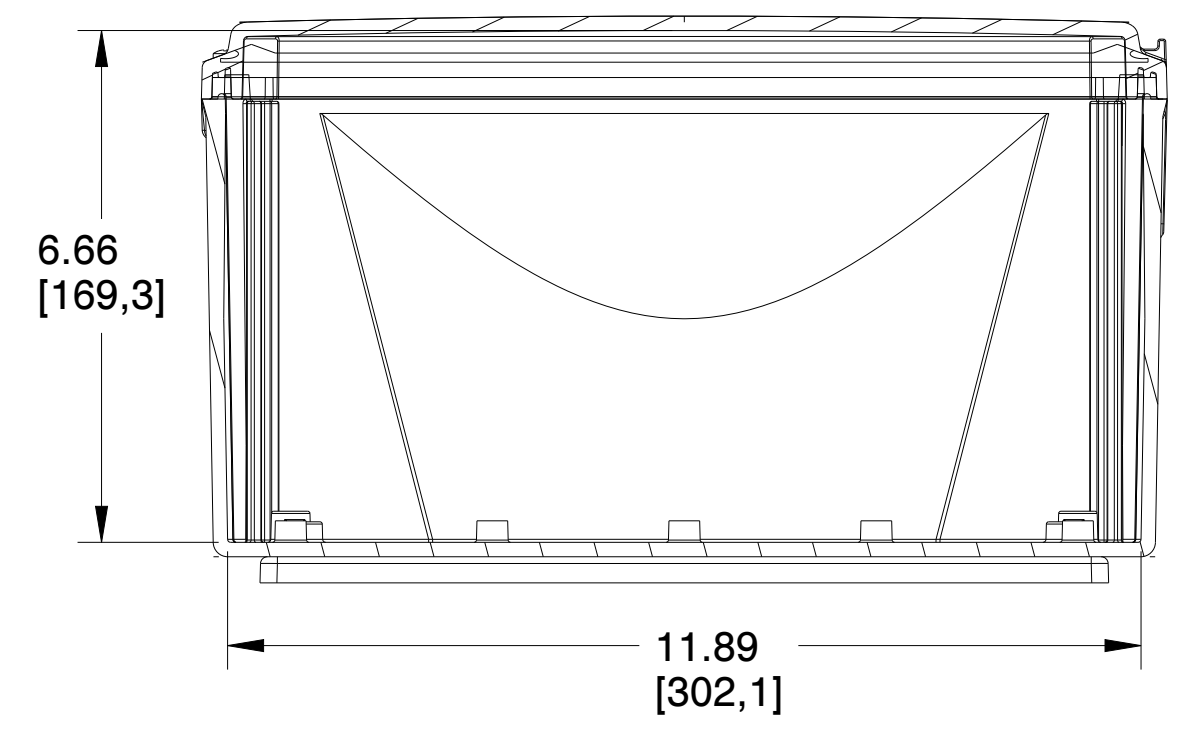
B

A

A



SECTION B-B



SECTION A-A

| | | | |
|---|--------|--|-------|
| | | MUM INDUSTRIES 8989 TYLER BLVD MENTOR, OHIO, U.S.A. (440) 269-8155 FAX (440) 269-8166 | |
| | | SCALE | SHEET |
| 0.400 | 2 of 2 | T.PAUL | |
| TITLE | | | |
| PREM-14X12X6-SCR-FLNG | | | |
| DATE | | DRAWING NUMBER | |
| 08.03.2021 | | H141206SF | |
| UNLESS OTHERWISE SPECIFIED: DIMENSIONS ARE IN INCHES (mm) AND ARE NOMINAL ONLY. | | | REV |
| PROPRIETARY AND CONFIDENTIAL: THE INFORMATION CONTAINED IN THIS DRAWING IS THE SOLE PROPERTY OF INTEGRA ENCLOSURES. ANY REPRODUCTION IN PART OR AS A WHOLE WITHOUT THE WRITTEN PERMISSION OF INTEGRA ENCLOSURES IS PROHIBITED. | | | A |

4

3

2

1