

4

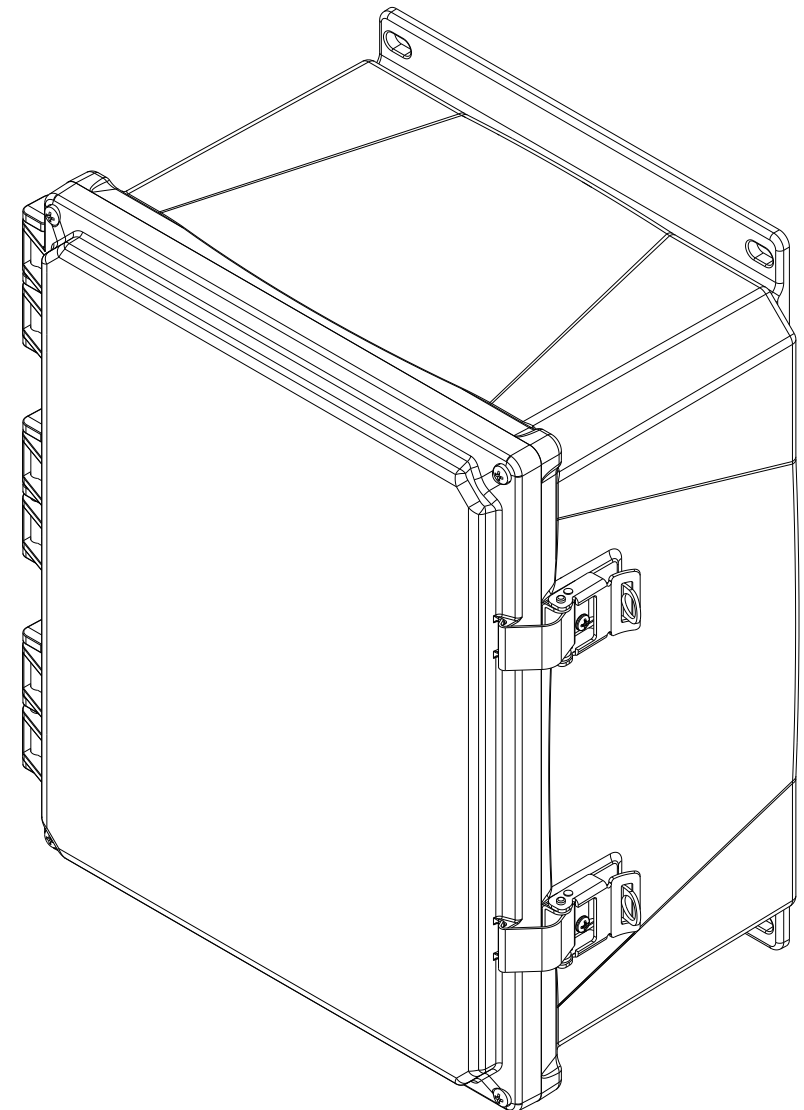
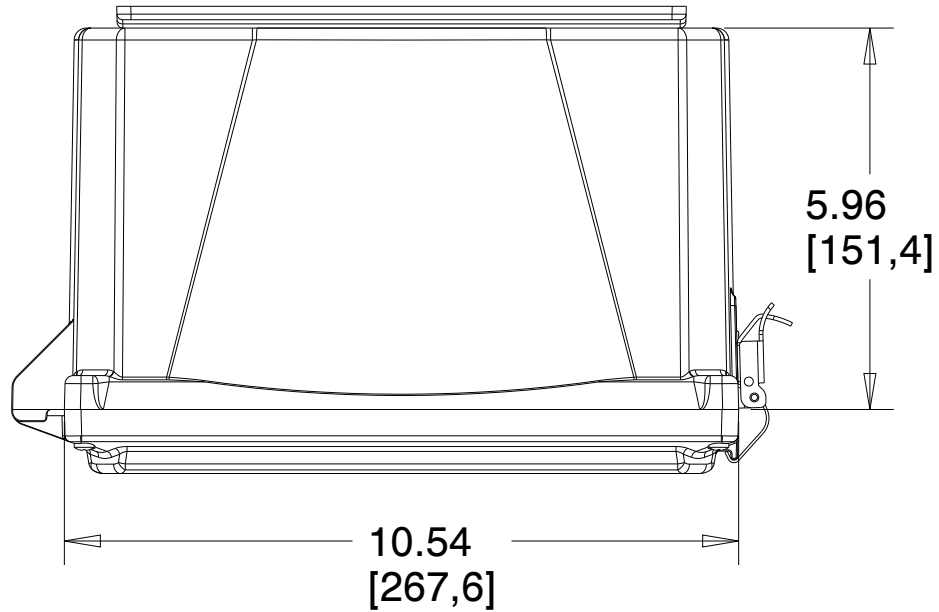
3

2

1

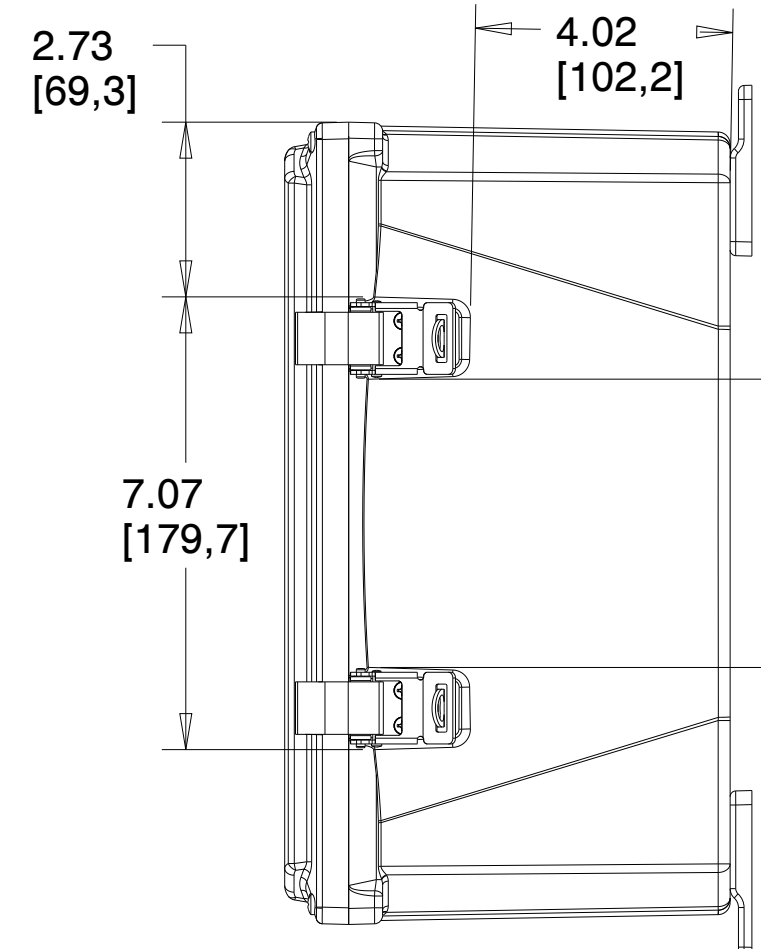
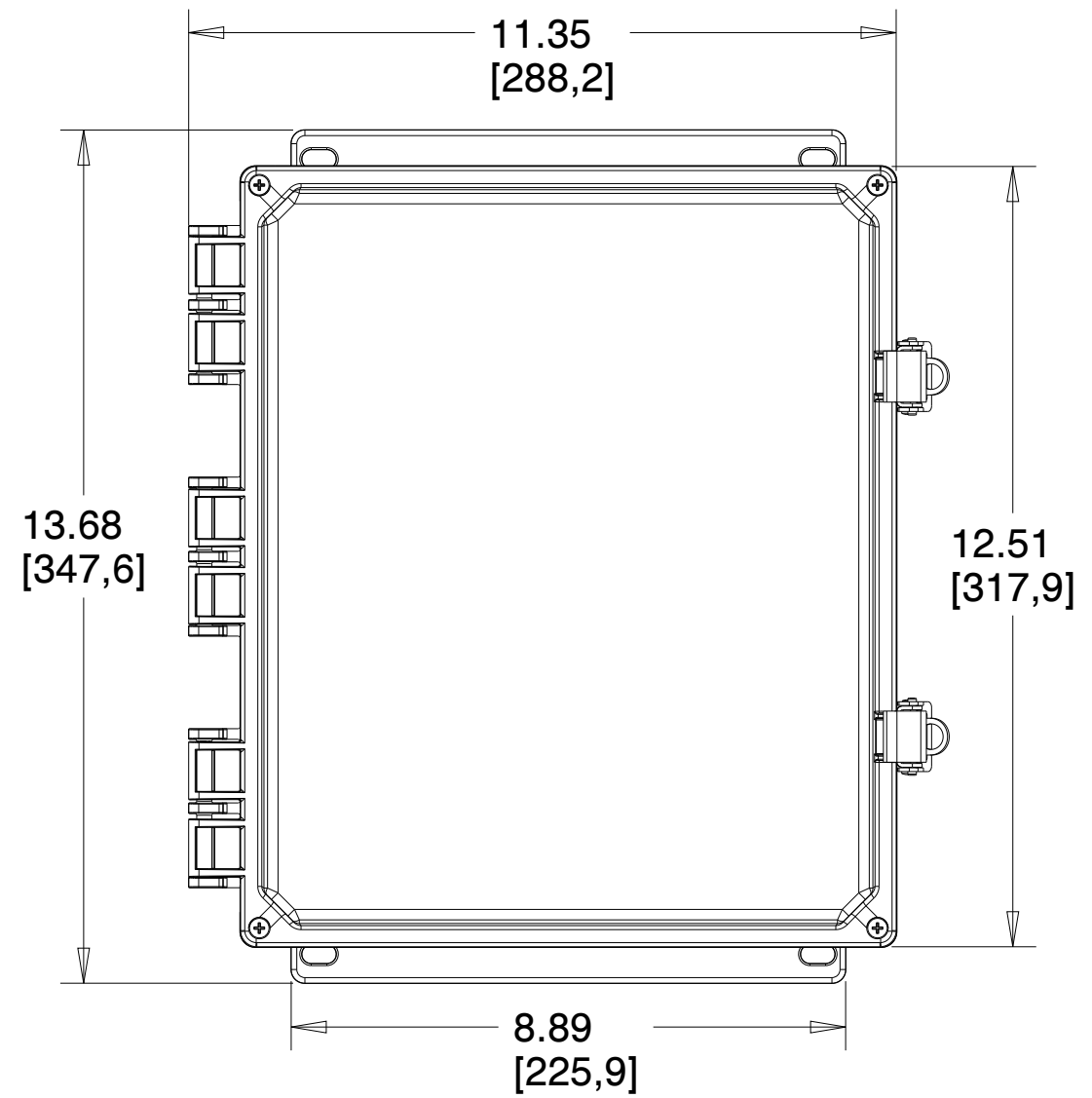
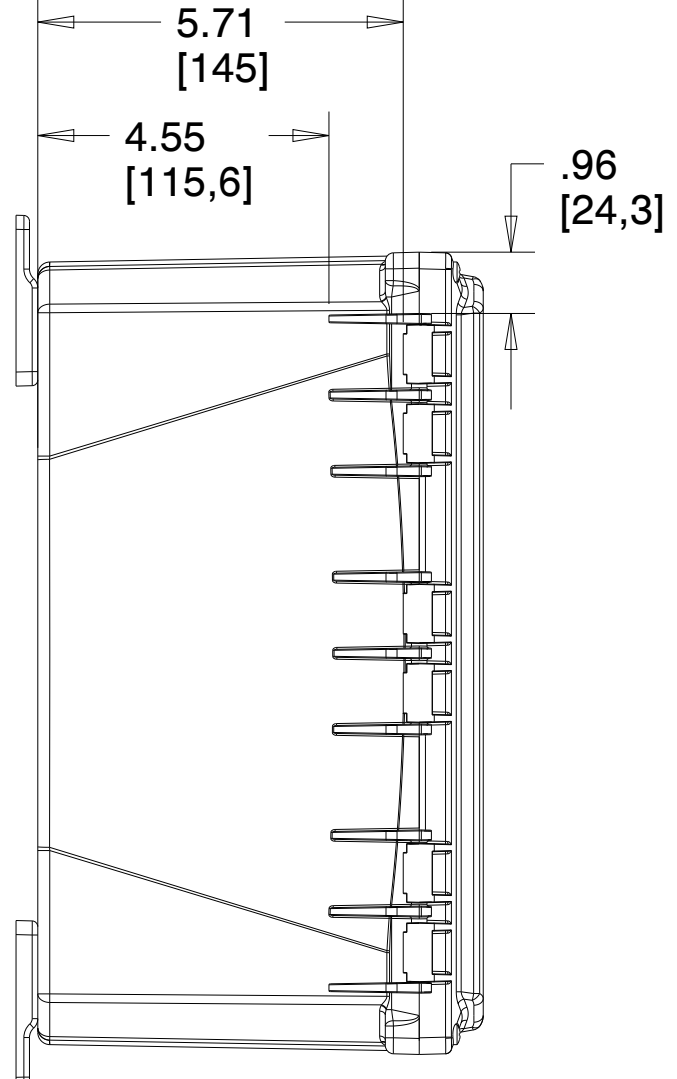
D

D



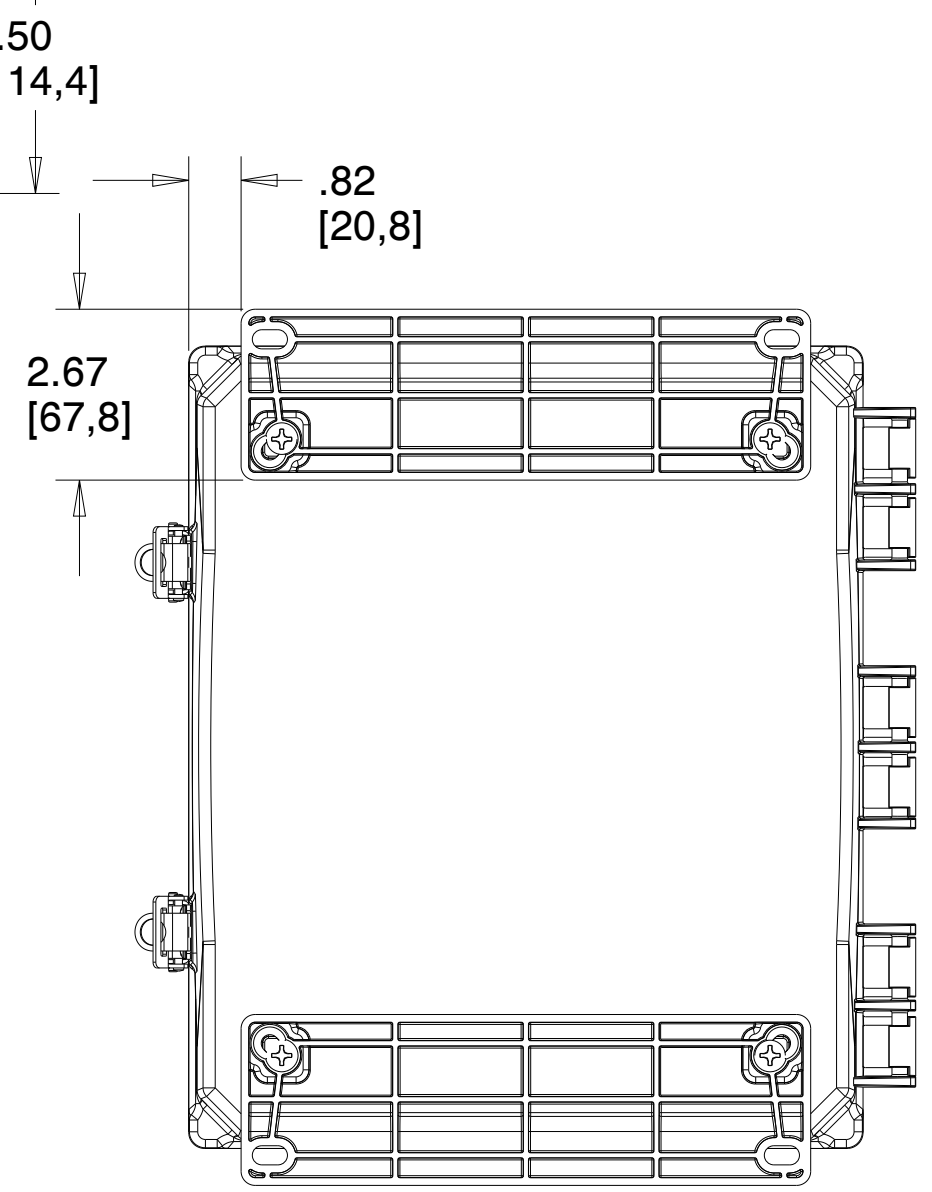
C

C



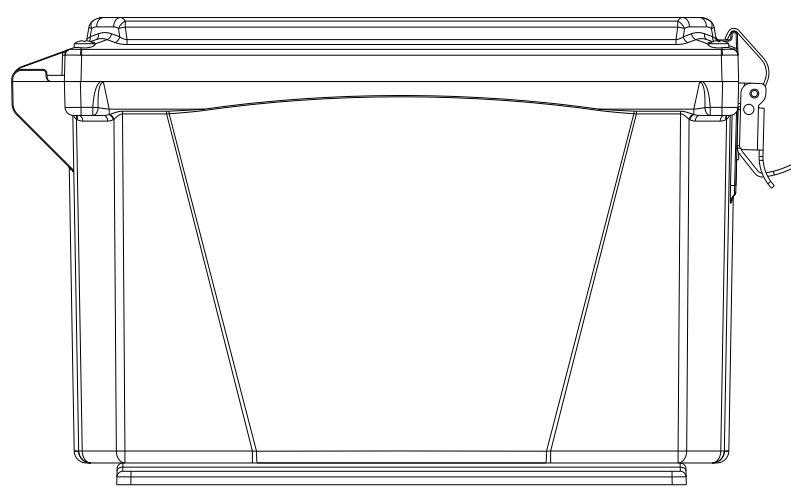
B

B



A

A



4

3

2

1

		MUM INDUSTRIES 8989 TYLER BLVD MENTOR, OHIO, U.S.A. (440) 269-8155 FAX (440) 269-8166
SCALE 0.333	SHEET 1 of 2	DRAWN BY T.PAUL
TITLE PREM-12X10X4-HNG-GRY-SLL		
DATE 07.30.2021	DRAWING NUMBER H12106HFLL	REV A

UNLESS OTHERWISE SPECIFIED:  
DIMENSIONS ARE IN INCHES (mm)  
AND ARE NOMINAL ONLY

PROPRIETARY AND CONFIDENTIAL:  
THE INFORMATION CONTAINED IN THIS  
DRAWING IS THE SOLE PROPERTY OF  
INTEGRA ENCLOSURES. ANY  
REPRODUCTION IN PART OR AS A  
WHOLE WITHOUT THE WRITTEN  
PERMISSION OF INTEGRA  
ENCLOSURES IS PROHIBITED.

4

3

2

1

D

D

C

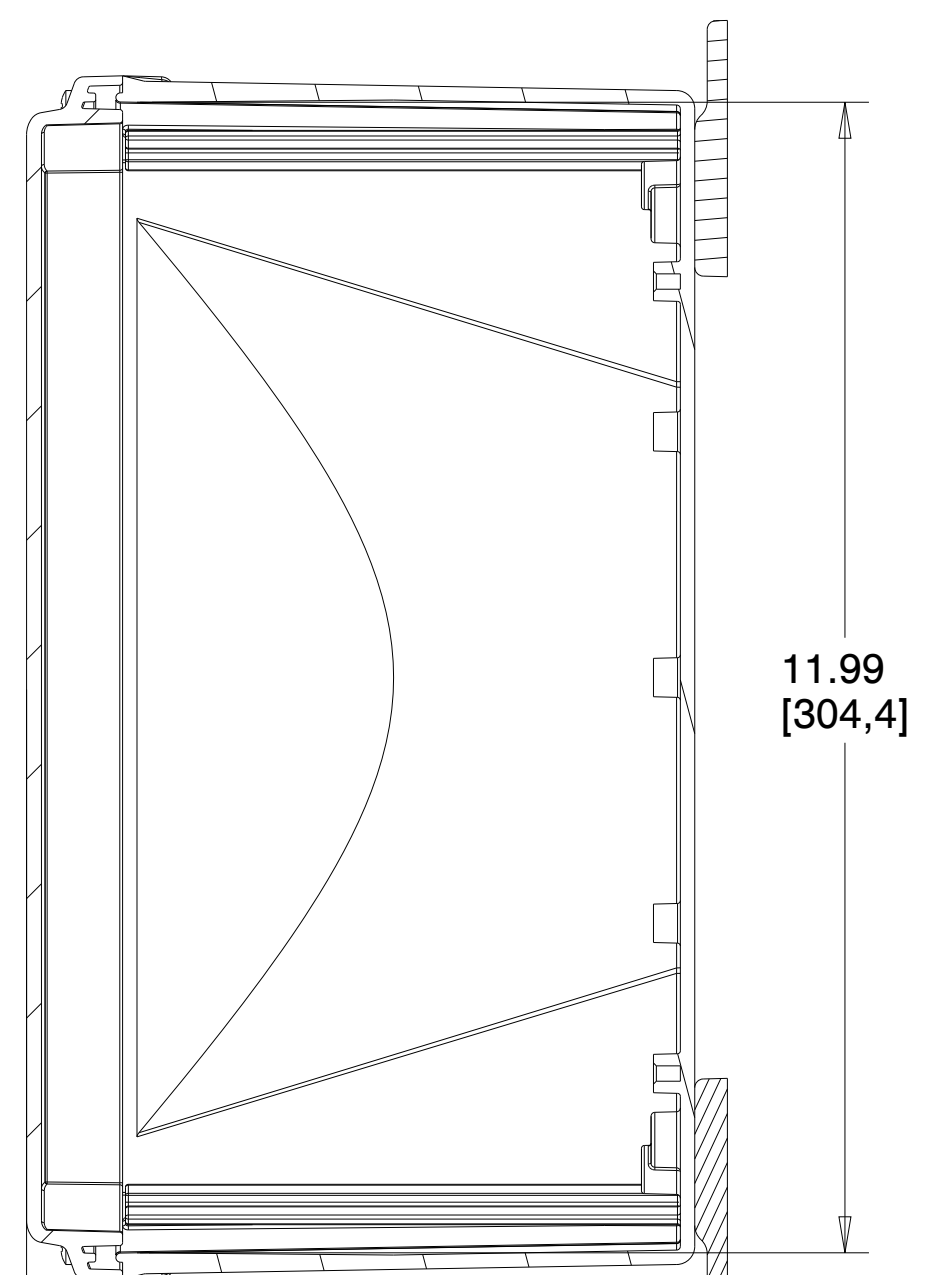
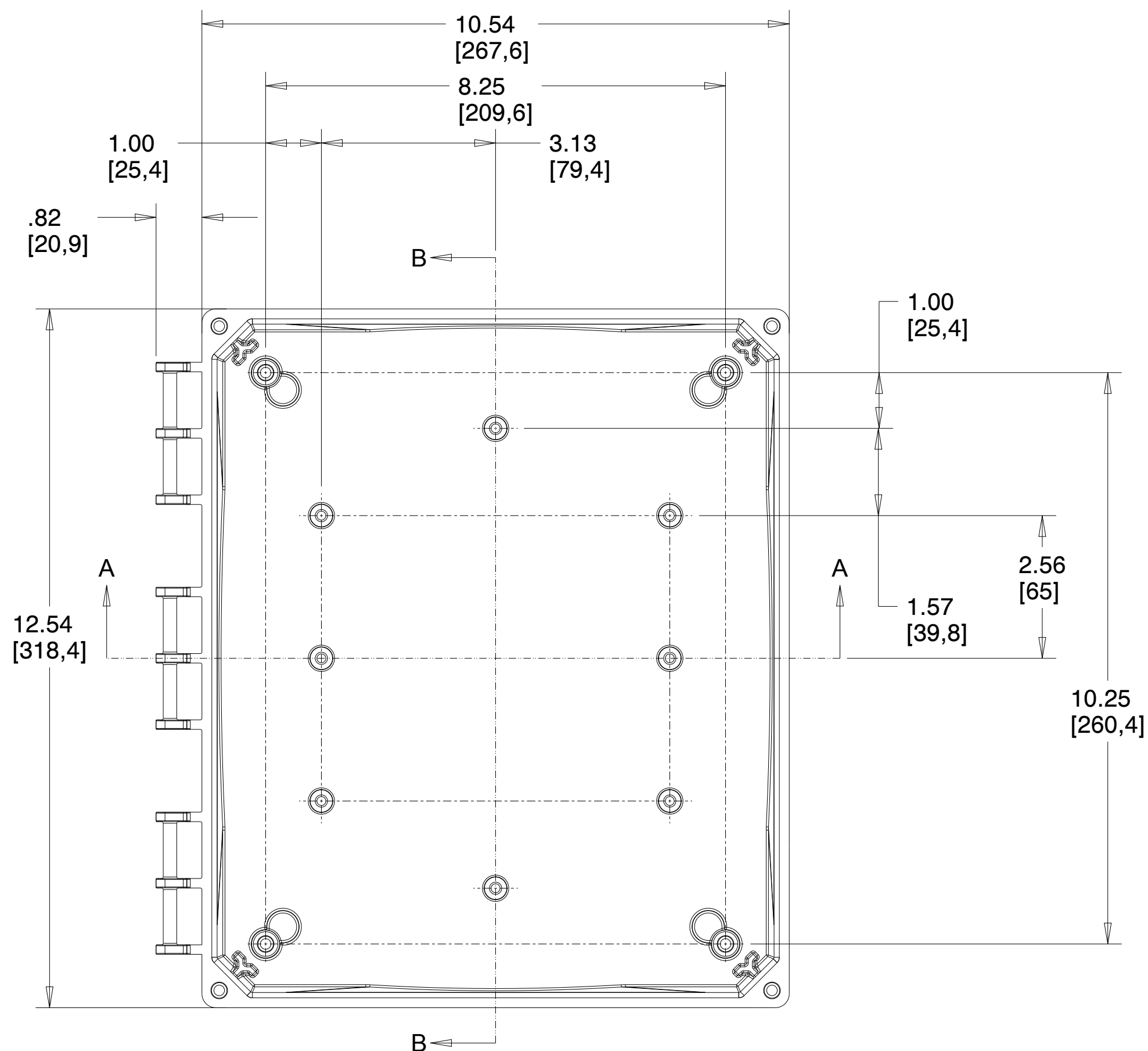
C

B

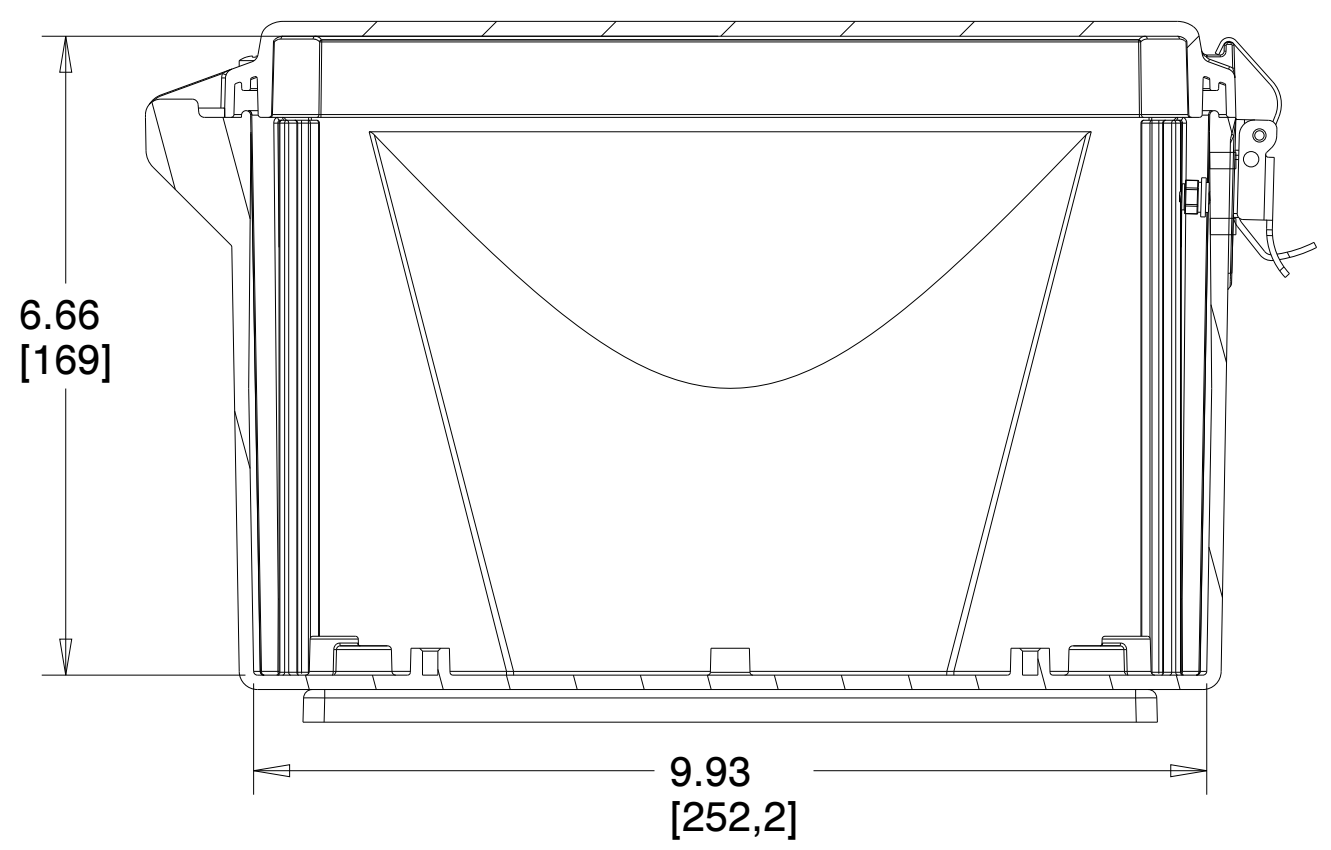
B

A

A



SECTION B-B



SECTION A-A

**INTEGRA ENCLOSURES**  
 MUM INDUSTRIES  
 8989 TYLER BLVD  
 MENTOR, OHIO, U.S.A.  
 (440) 269-8155 FAX (440) 269-8166

SCALE: 0.500 SHEET: 2 of 2 DRAWN BY: T.PAUL

TITLE: PREM-12X10X4-HNG-GRY-SLL

DATE: 07.30.2021 DRAWING NUMBER: H12106HFLL REV: A

UNLESS OTHERWISE SPECIFIED:  
 DIMENSIONS ARE IN INCHES (mm)  
 AND ARE NOMINAL ONLY  
 PROPRIETARY AND CONFIDENTIAL:  
 THE INFORMATION CONTAINED IN THIS  
 DRAWING IS THE SOLE PROPERTY OF  
 INTEGRA ENCLOSURES. ANY  
 REPRODUCTION IN PART OR AS A  
 WHOLE WITHOUT THE WRITTEN  
 PERMISSION OF INTEGRA  
 ENCLOSURES IS PROHIBITED.

4

3

2

1