

4

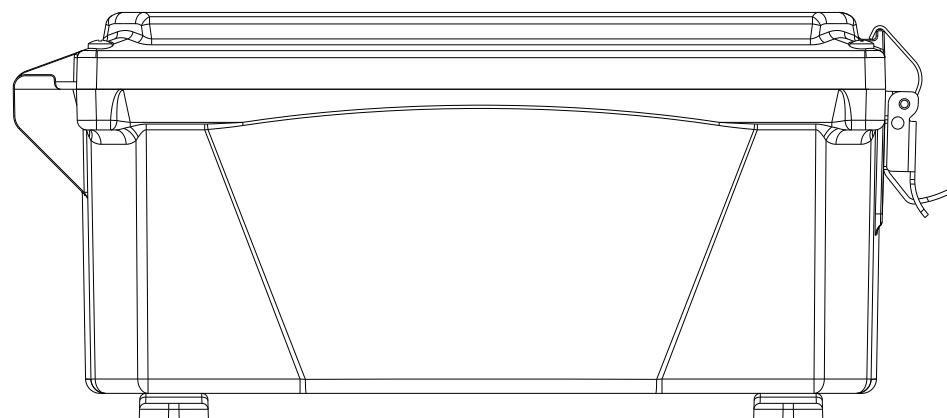
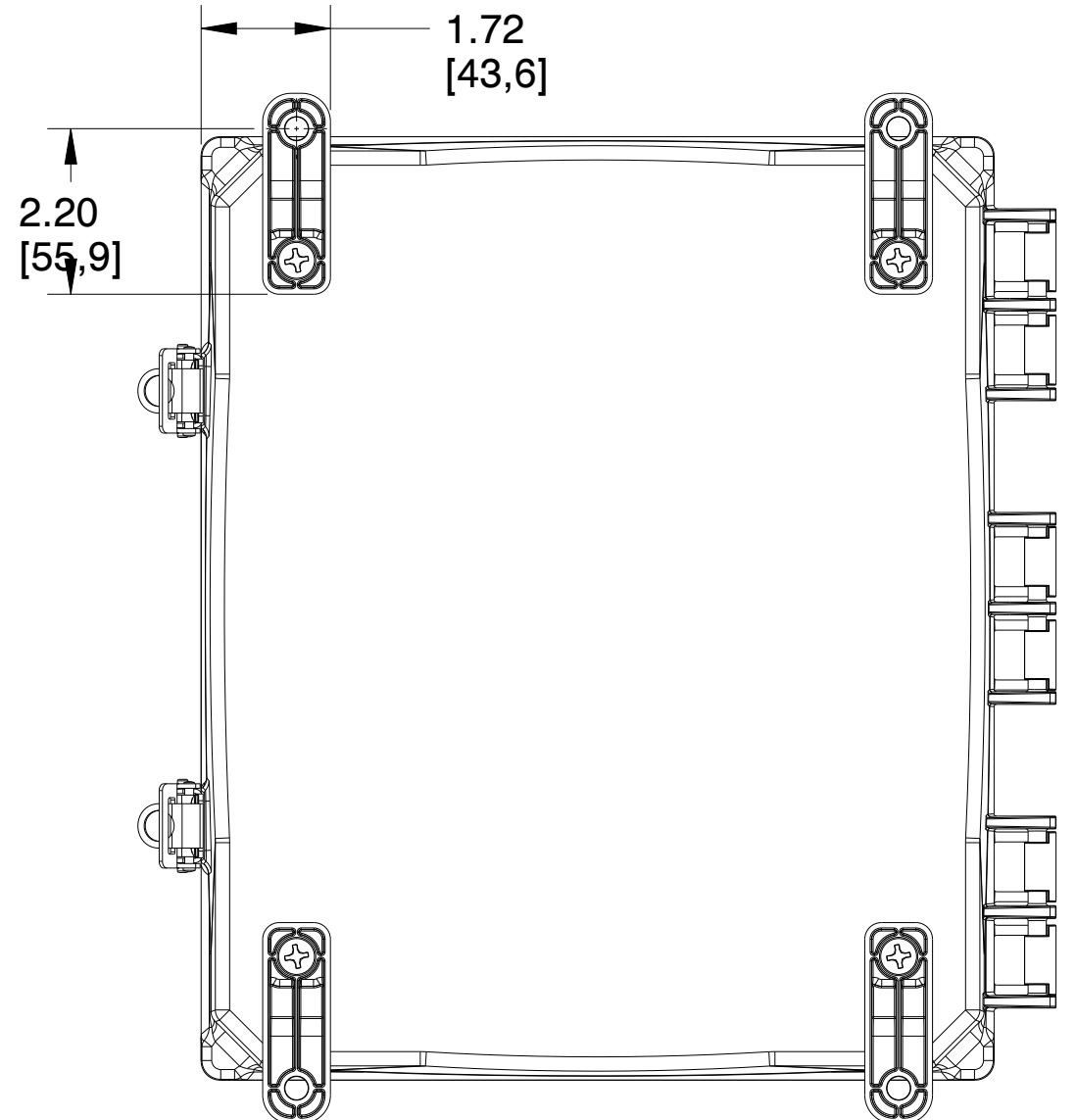
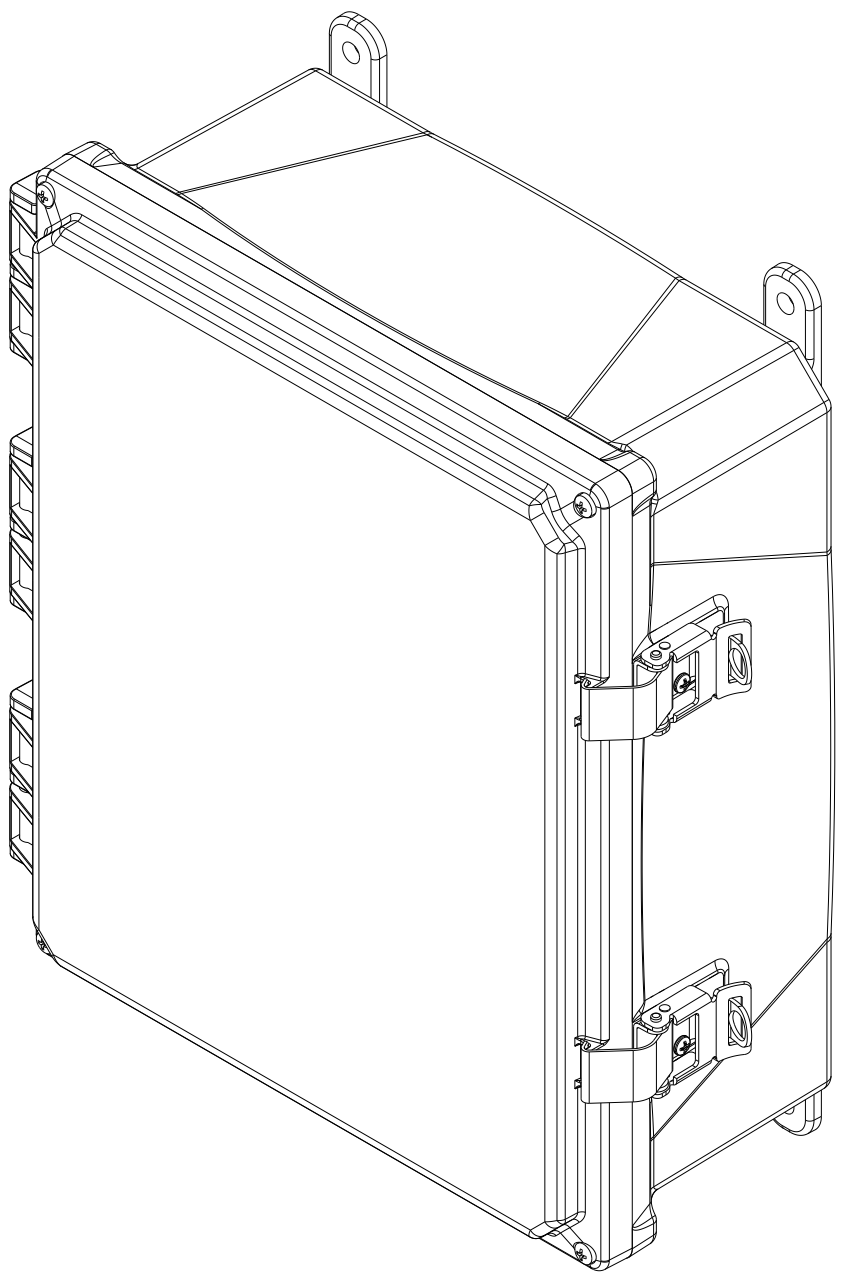
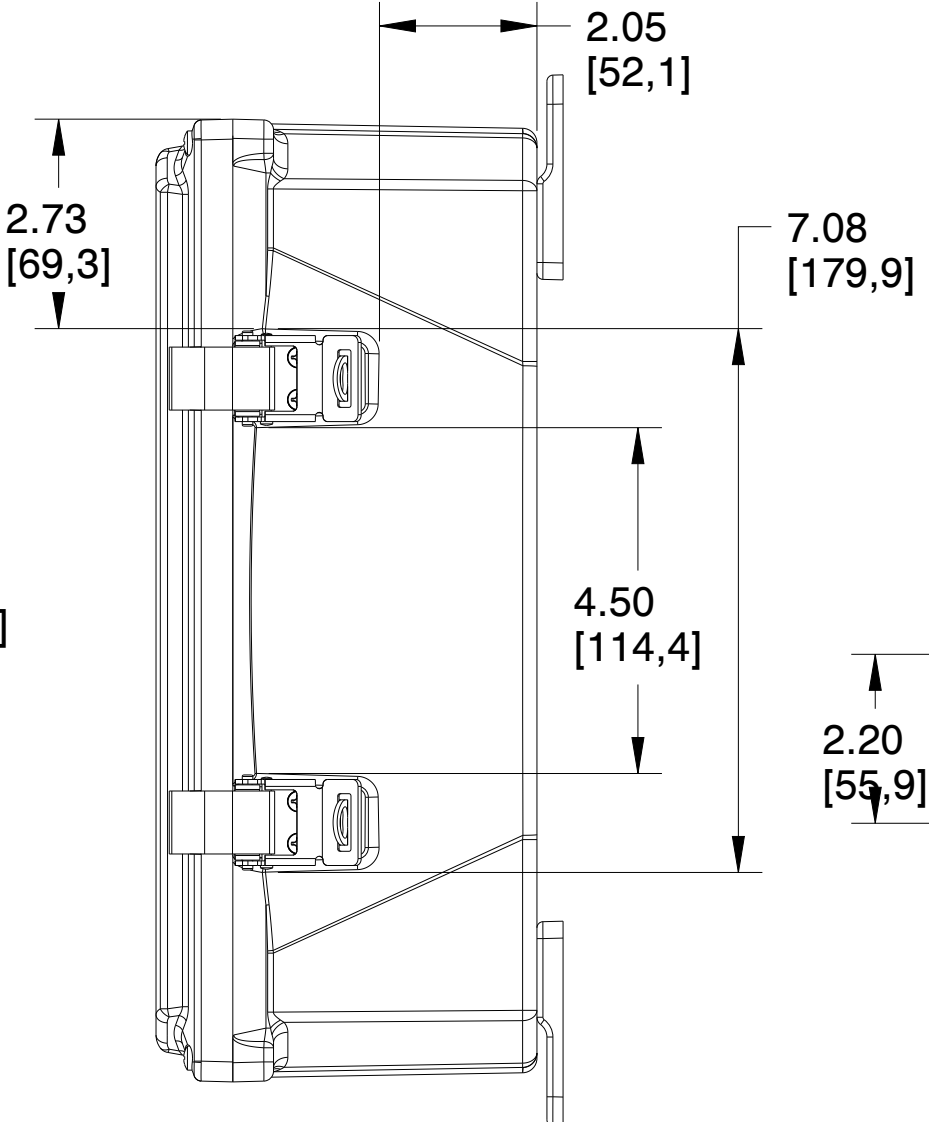
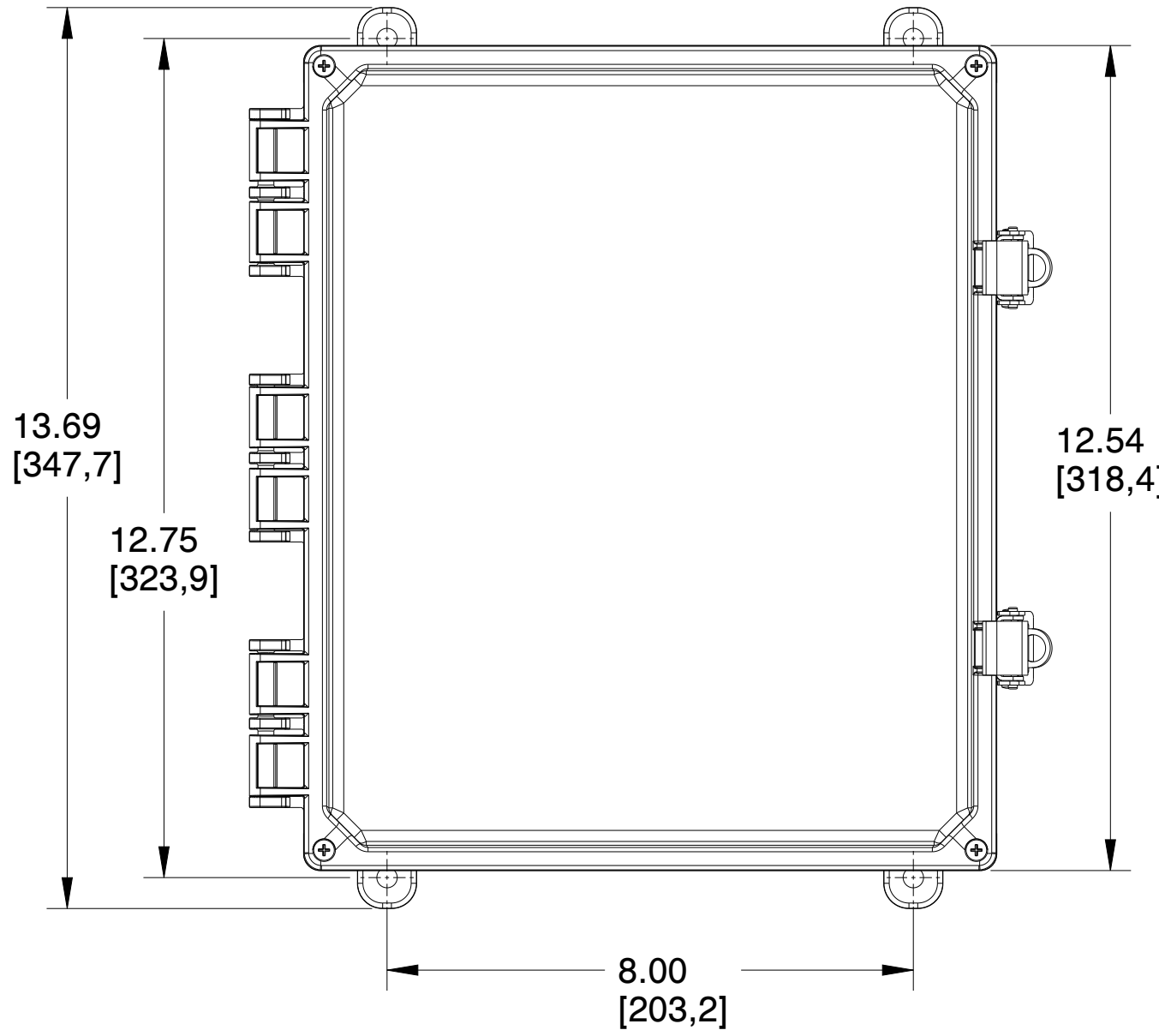
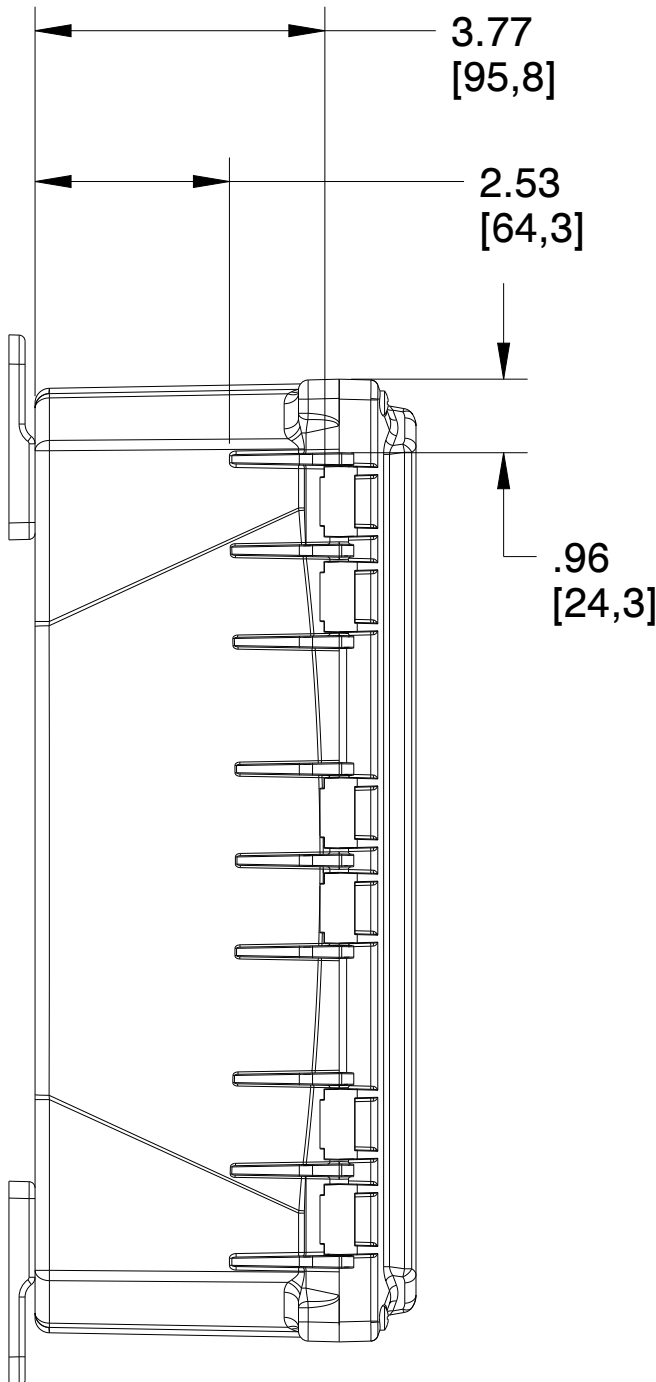
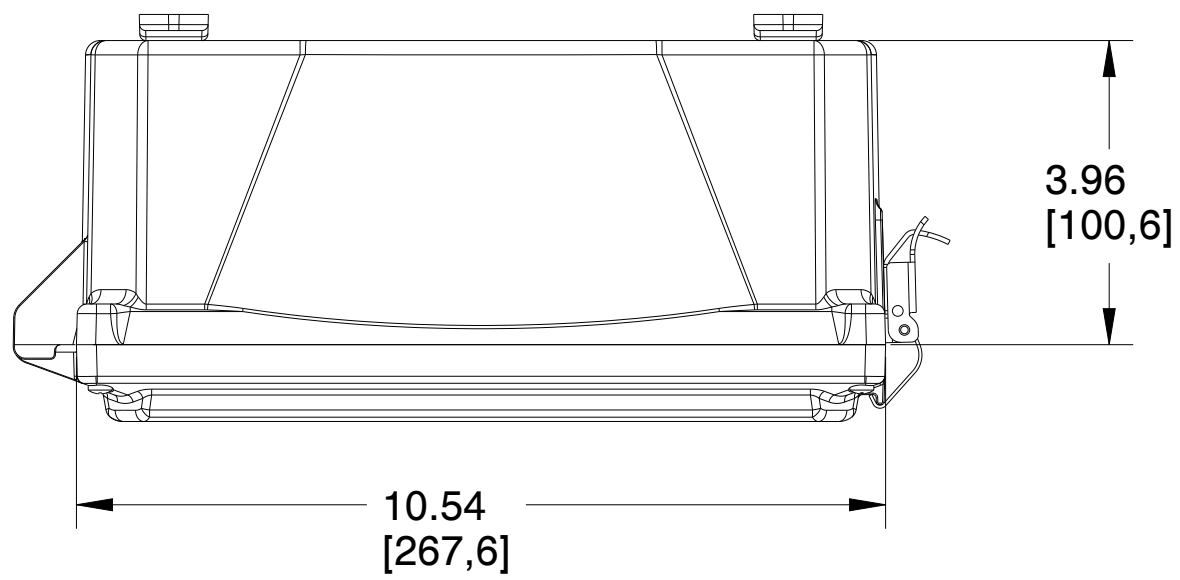
3

2

1

D

D



B

B

A

A

4

3

2

1



MUM INDUSTRIES
8989 TYLER BLVD
MENTOR, OHIO, U.S.A.
(440) 269-8155 FAX (440) 269-8166

SCALE 0.400	SHEET 1 of 2	DRAWN BY T.PAUL
----------------	-----------------	--------------------

TITLE
PREM-12X10X4-HNG-LL

DATE 07.14.2021	DRAWING NUMBER H12104HLL	REV A
--------------------	-----------------------------	----------

UNLESS OTHERWISE SPECIFIED:
DIMENSIONS ARE IN INCHES (mm)
AND ARE NOMINAL ONLY

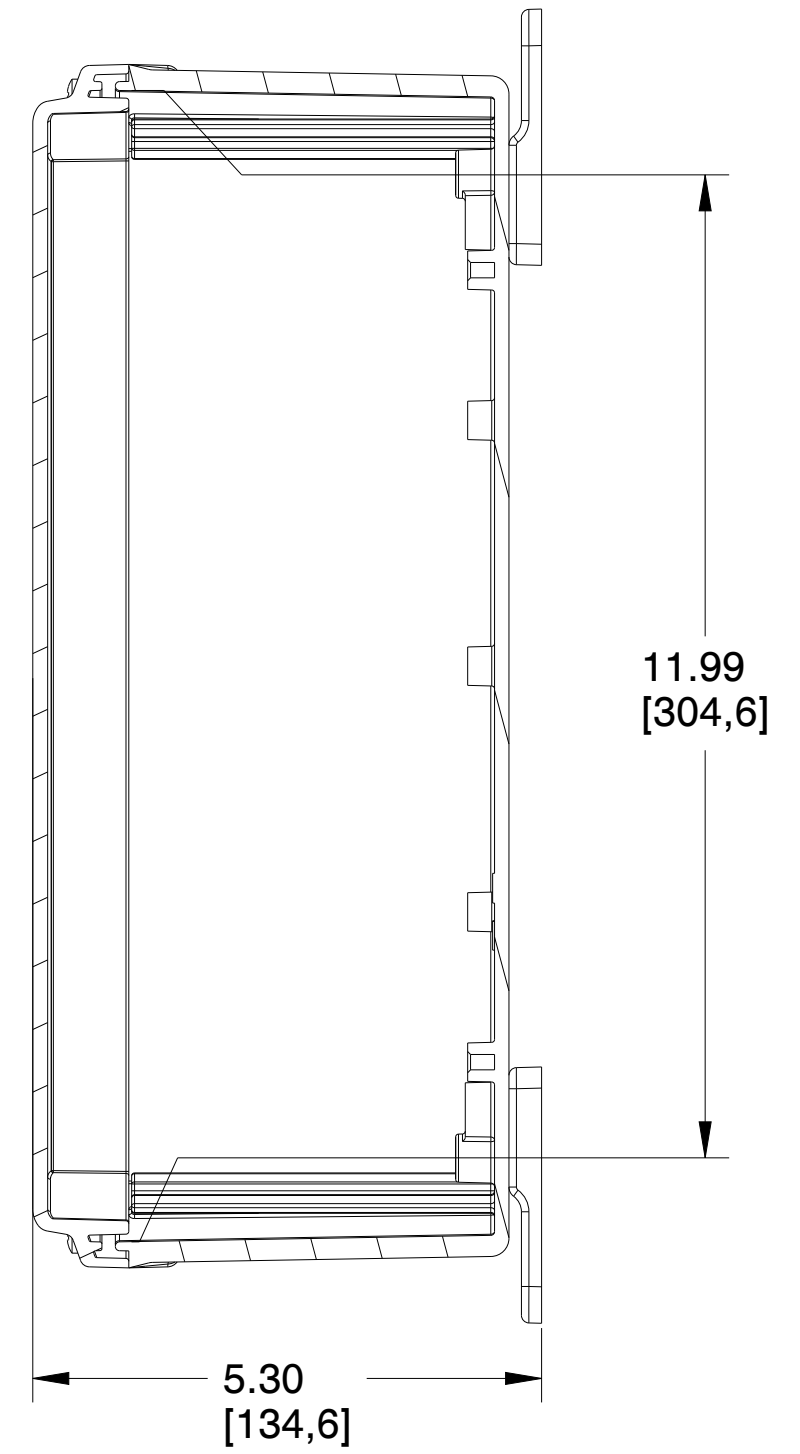
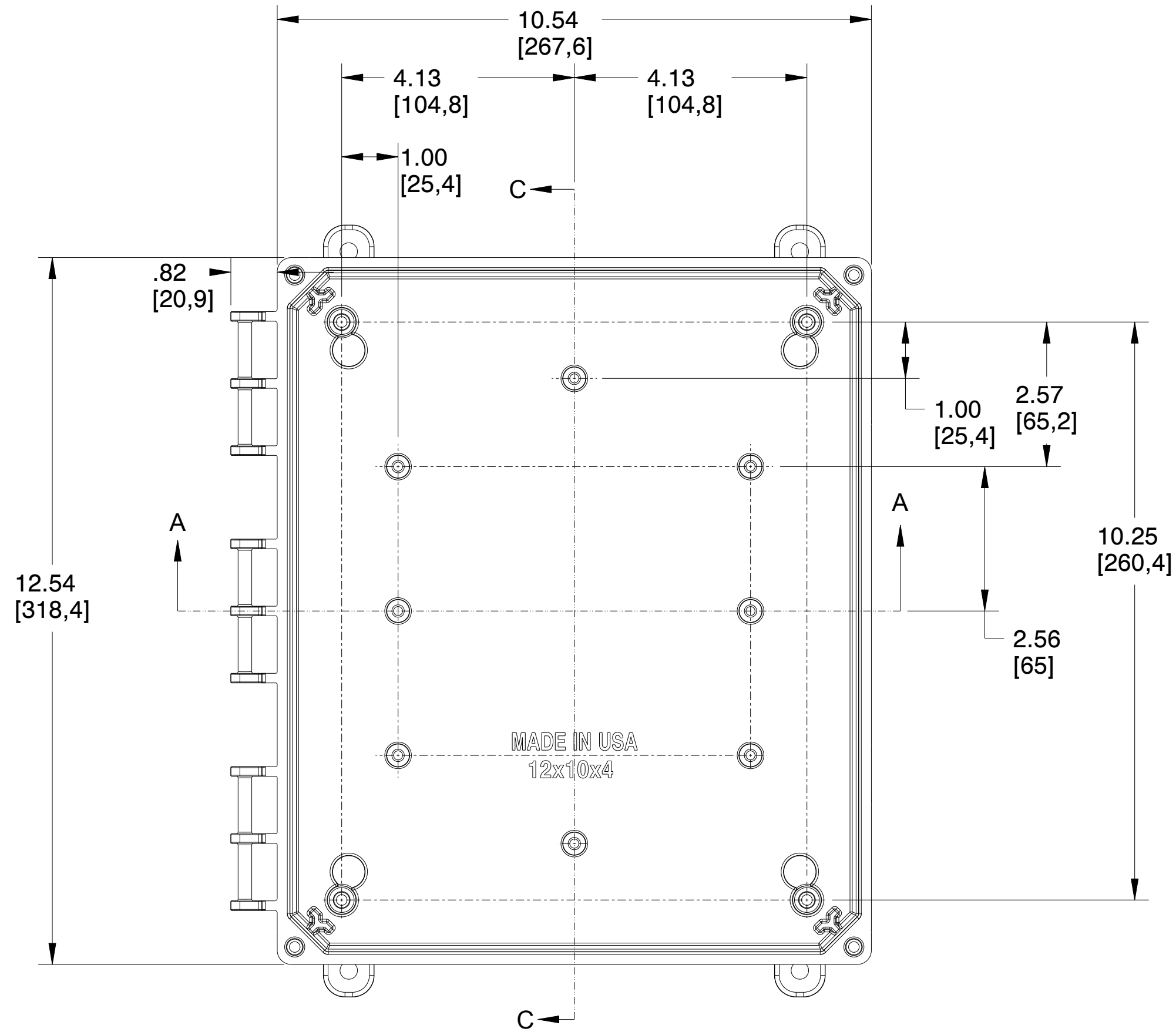
PROPRIETARY AND CONFIDENTIAL:
THE INFORMATION CONTAINED IN THIS
DRAWING IS THE SOLE PROPERTY OF
INTEGRA ENCLOSURES. ANY
REPRODUCTION IN PART OR AS A
WHOLE WITHOUT THE WRITTEN
PERMISSION OF INTEGRA
ENCLOSURES IS PROHIBITED.

4

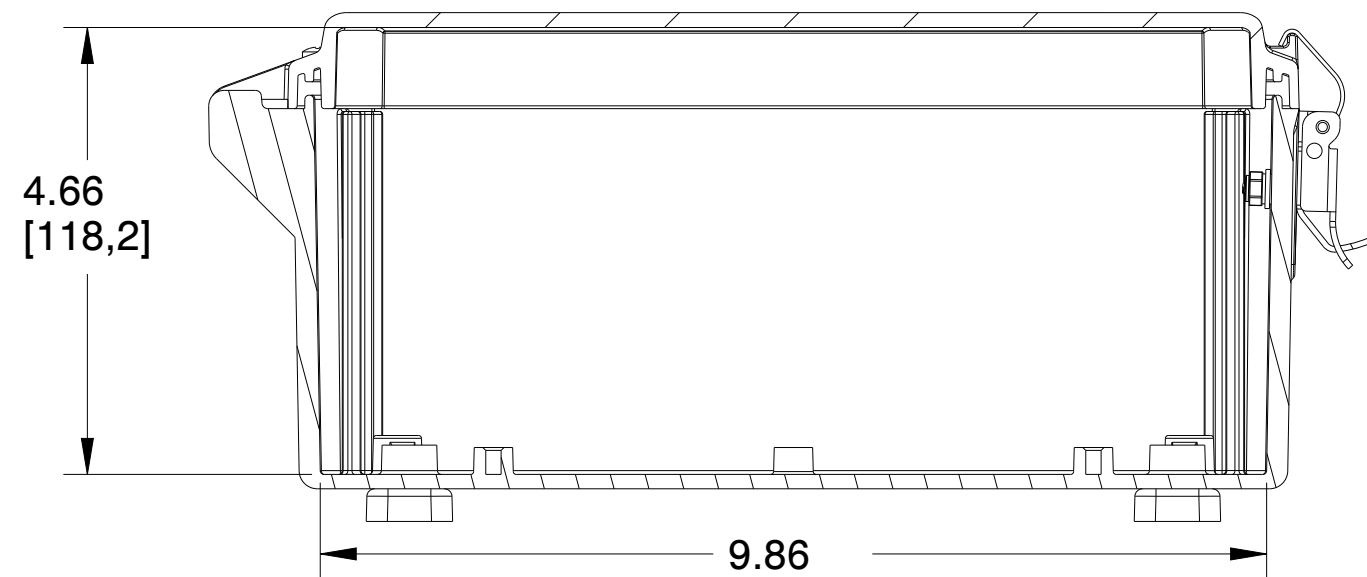
3

2

1



SECTION C-C



SECTION A-A

		MUM INDUSTRIES 8989 TYLER BLVD MENTOR, OHIO, U.S.A. (440) 269-8155 FAX (440) 269-8166	
SCALE	SHEET	DRAWN BY	
0.500	2 of 2	T.PAUL	
TITLE			
PREM-12X10X4-HNG-LL			
DATE	DRAWING NUMBER	REV	
07.14.2021	H12104HLL	A	

UNLESS OTHERWISE SPECIFIED:
DIMENSIONS ARE IN INCHES (mm)
AND ARE NOMINAL ONLY

PROPRIETARY AND CONFIDENTIAL:
THE INFORMATION CONTAINED IN THIS
DRAWING IS THE SOLE PROPERTY OF
INTEGRA ENCLOSURES. ANY
REPRODUCTION IN PART OR AS A
WHOLE WITHOUT THE WRITTEN
PERMISSION OF INTEGRA
ENCLOSURES IS PROHIBITED.

4

3

2

1