

4

3

2

1

D

D

C

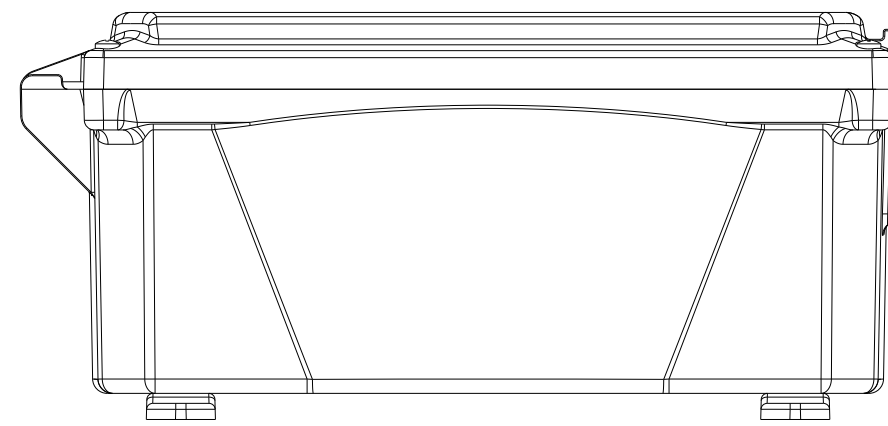
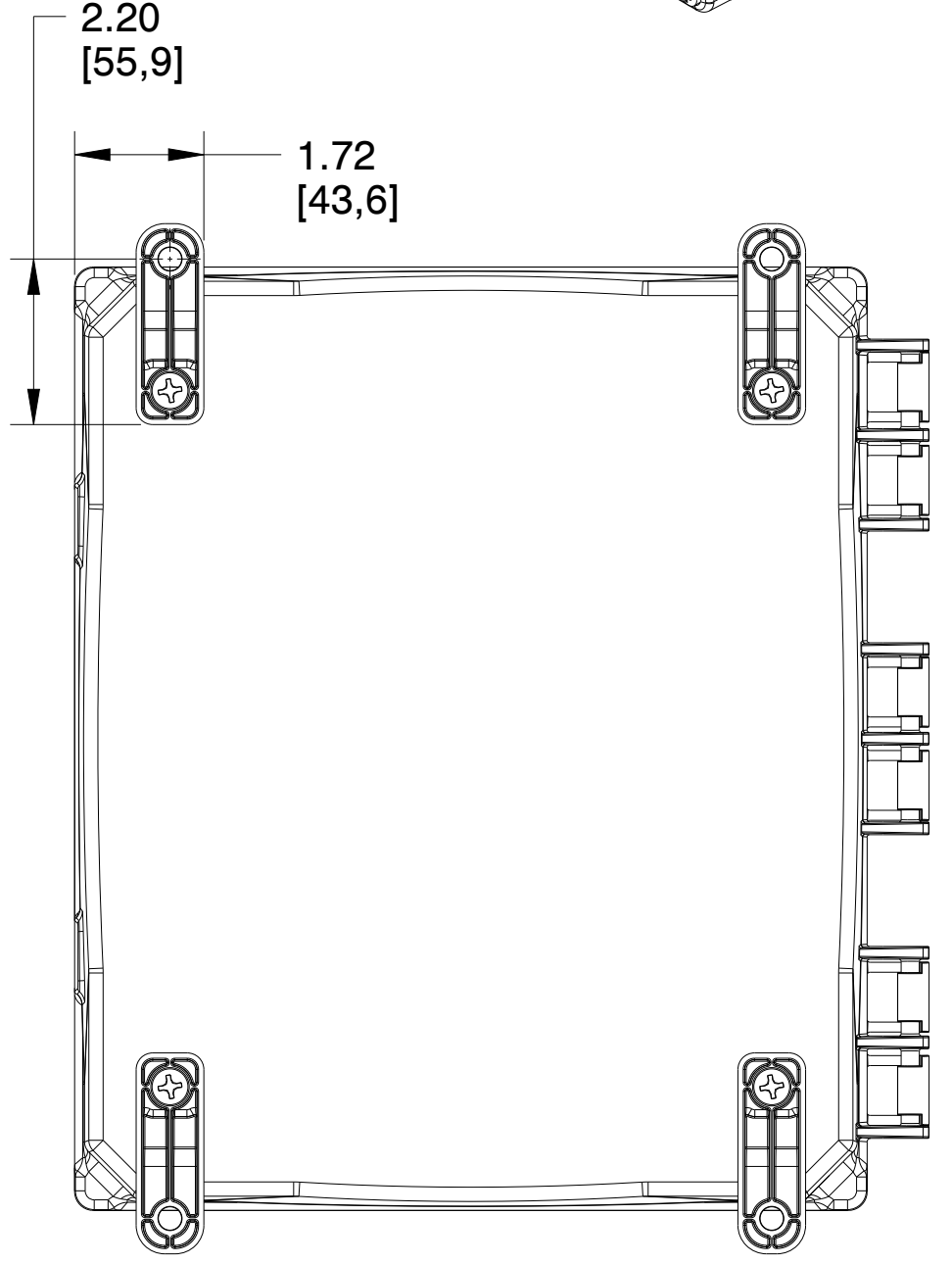
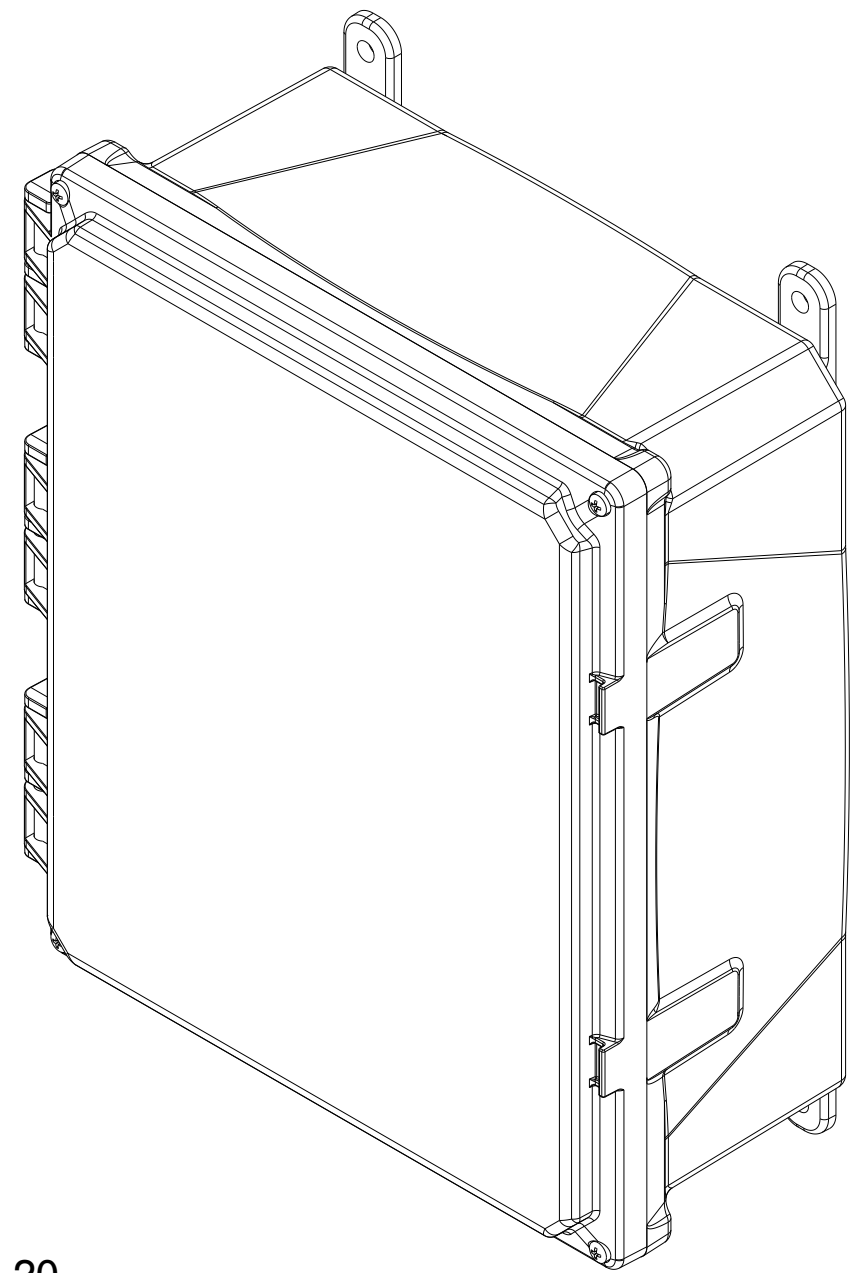
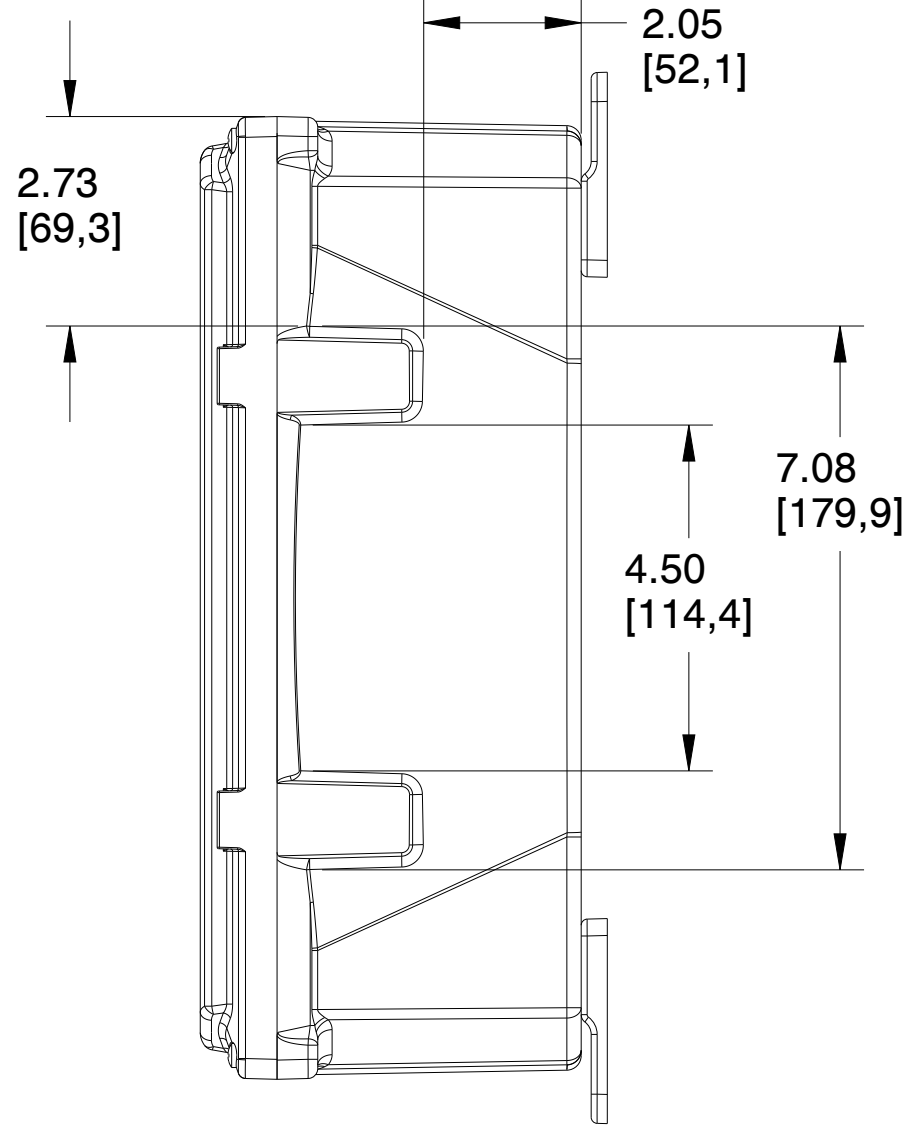
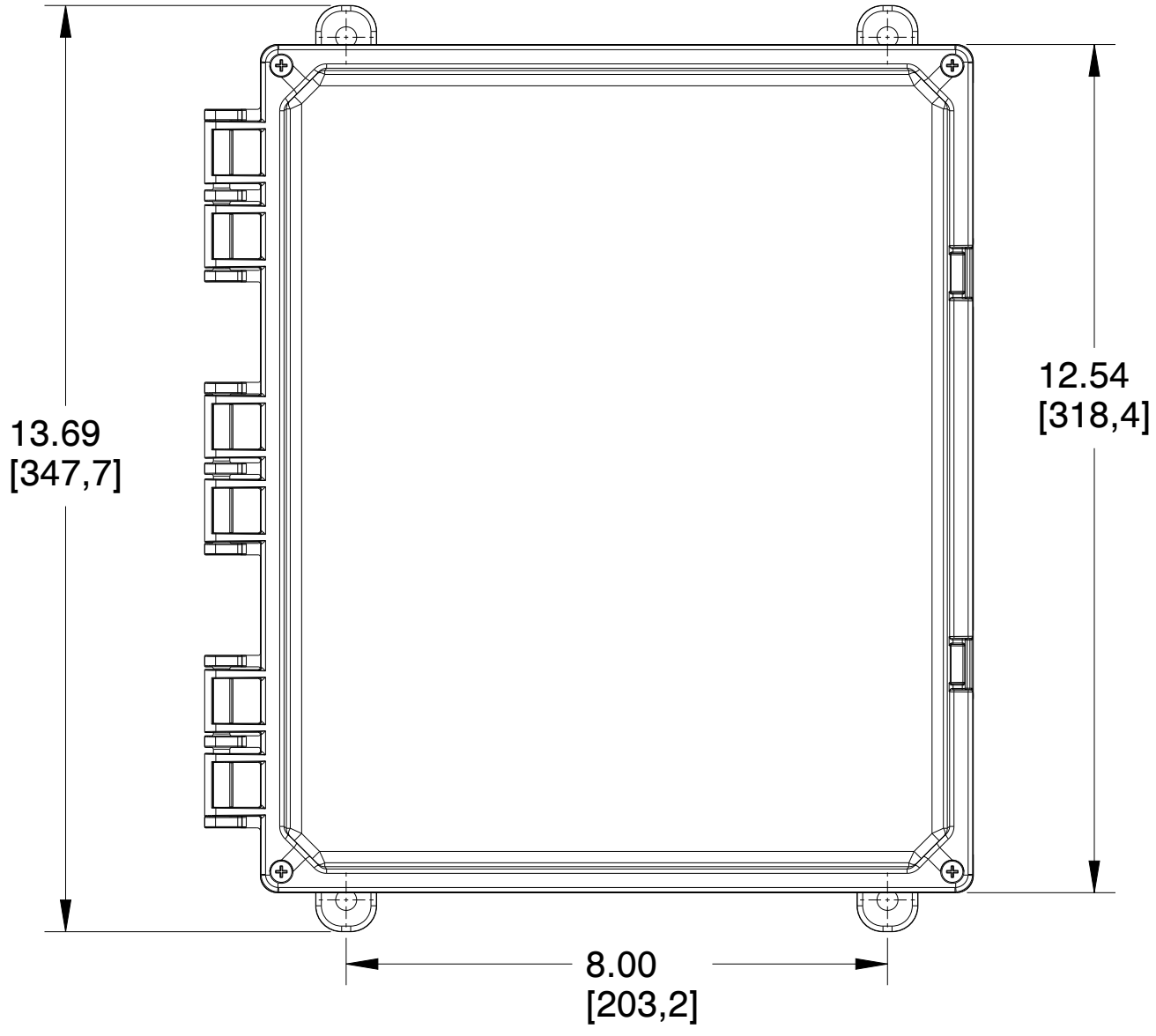
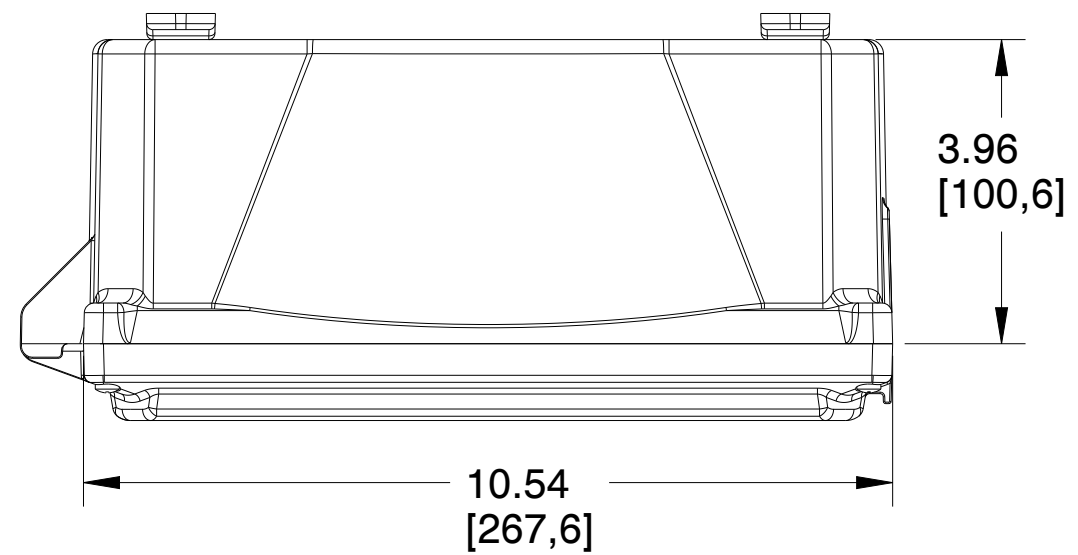
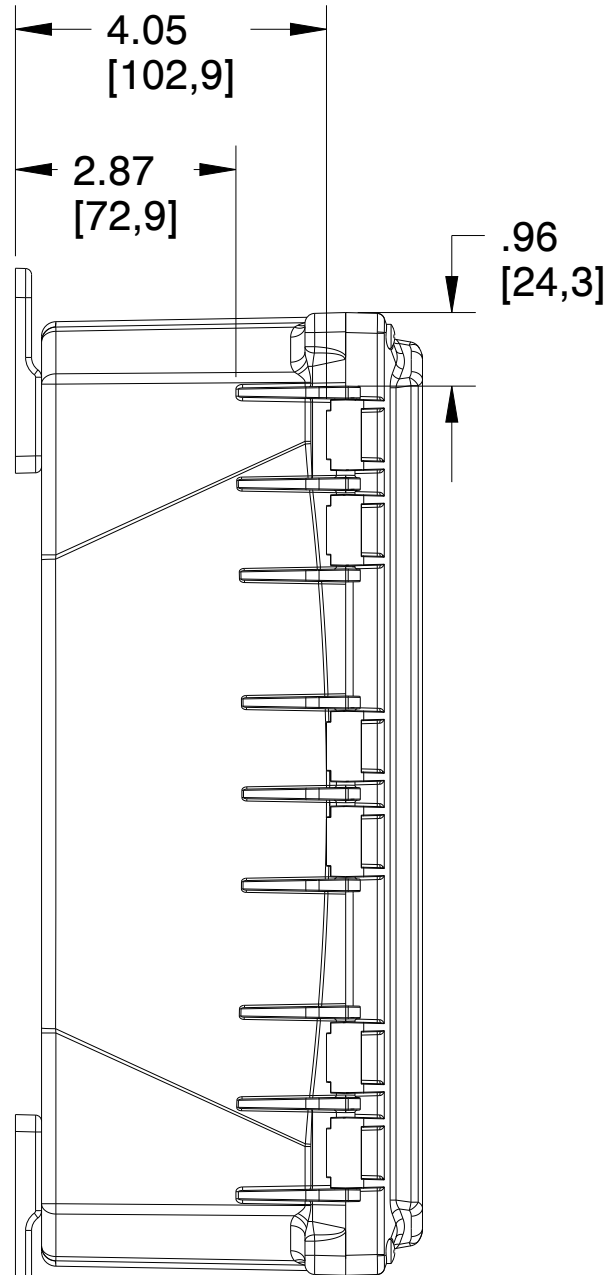
C

B

B

A

A



4

3

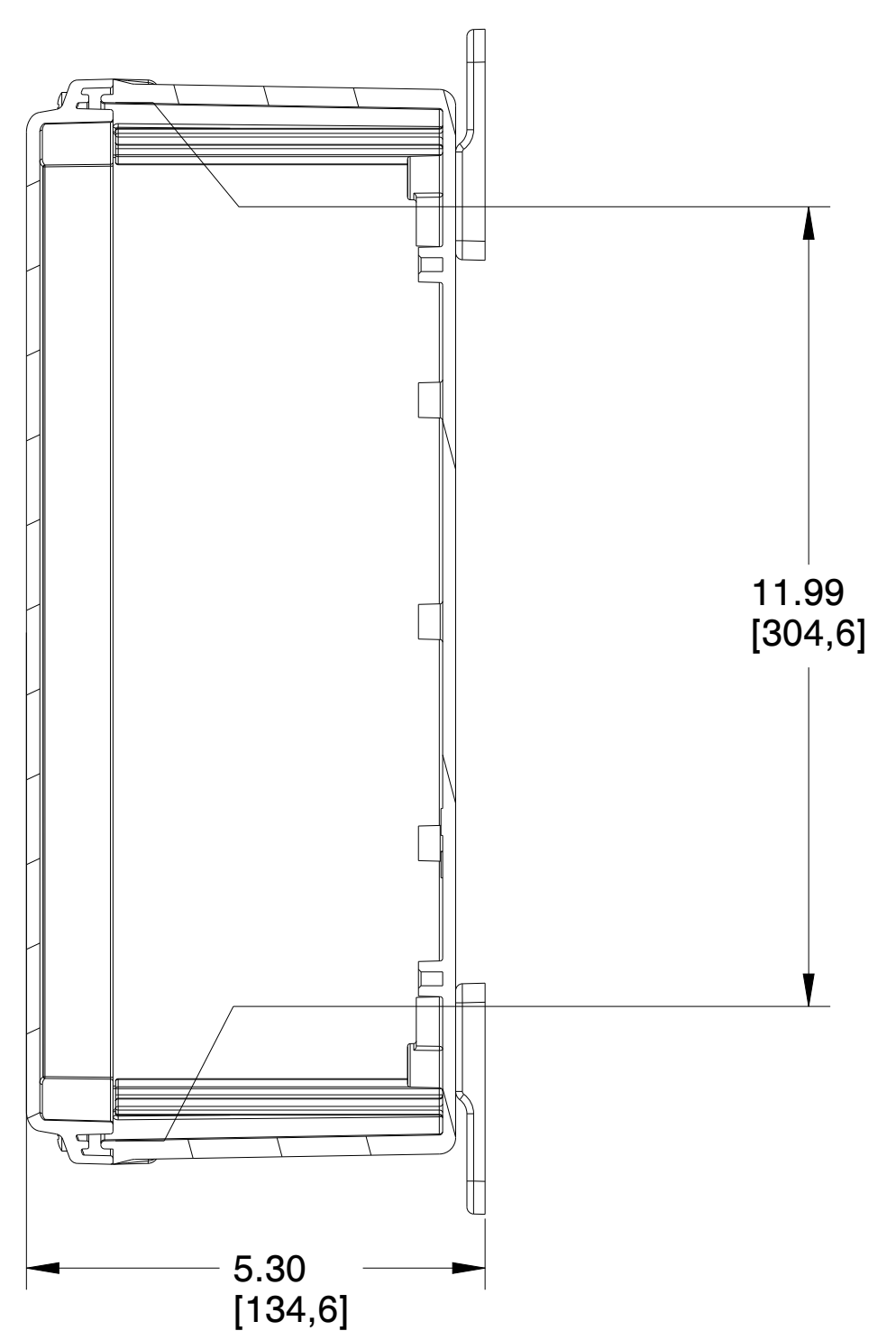
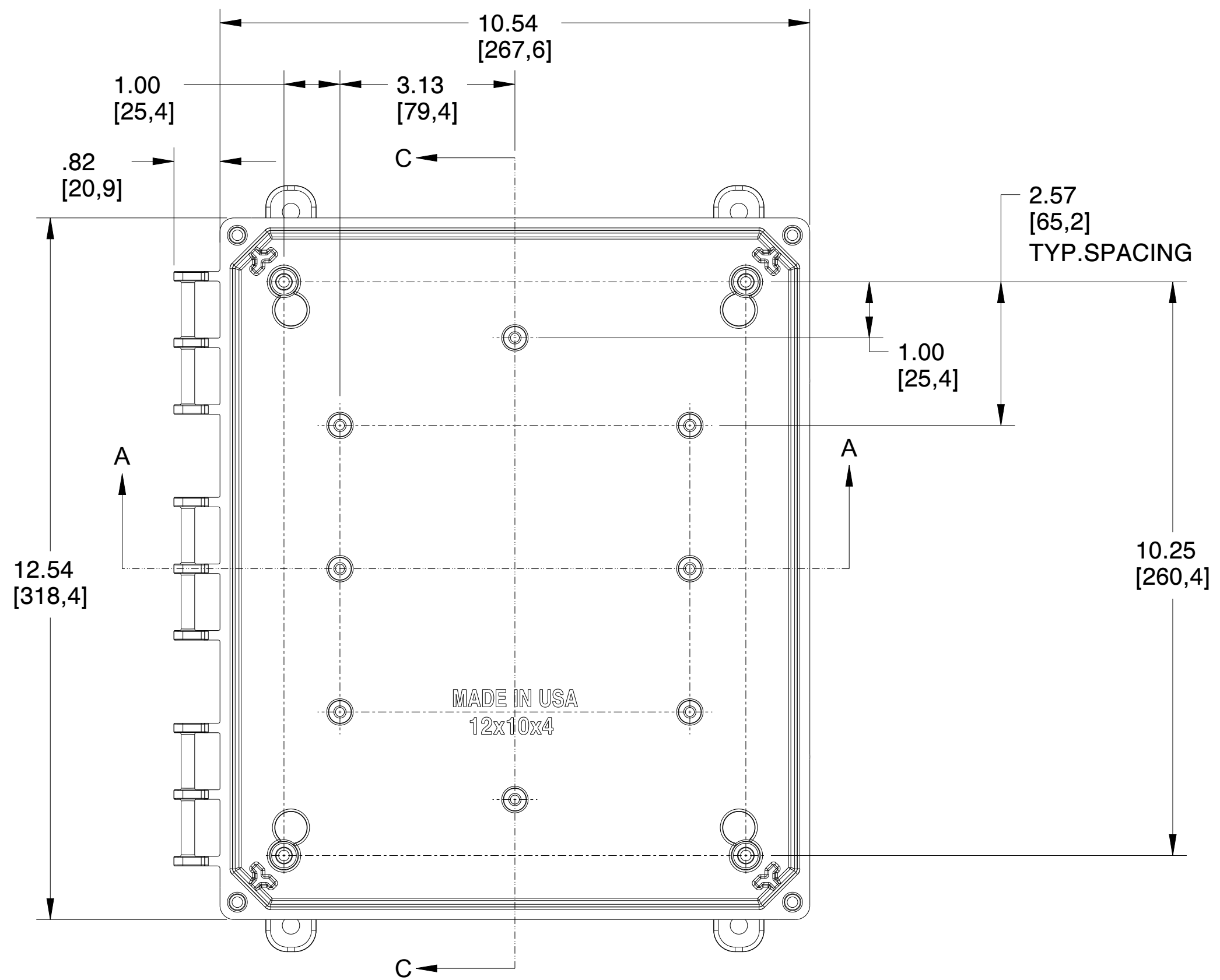
2

1

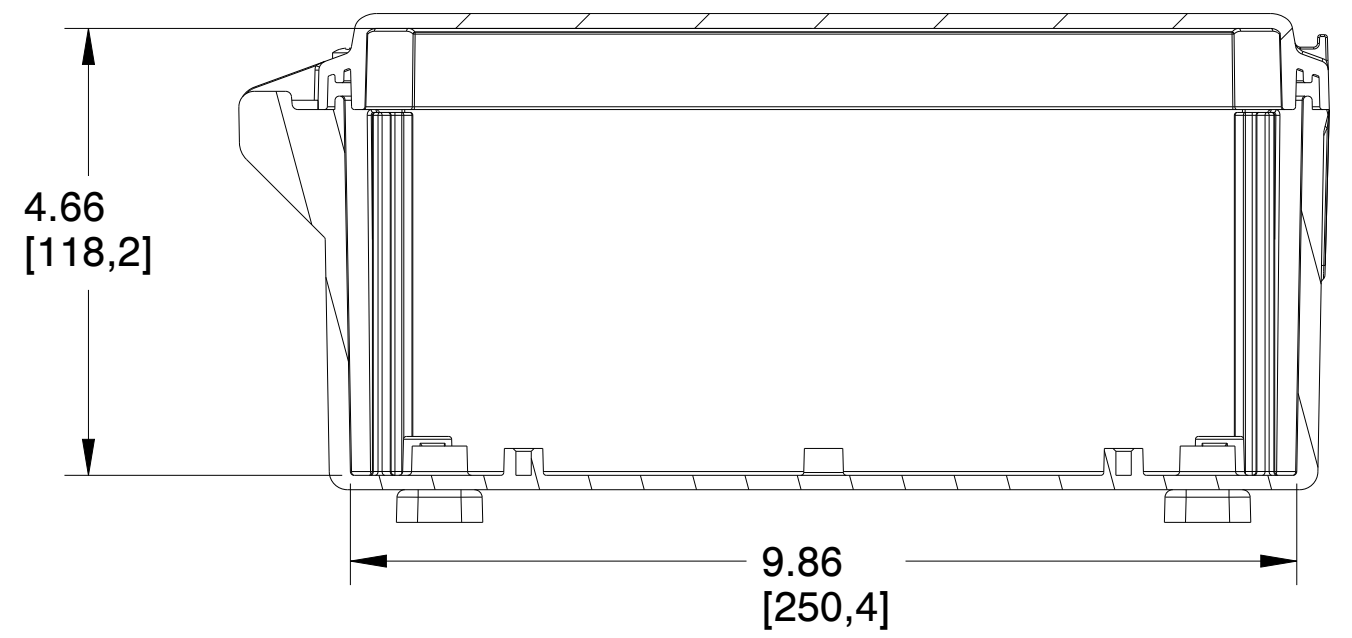
		MUM INDUSTRIES 8989 TYLER BLVD MENTOR, OHIO, U.S.A. (440) 269-8155 FAX (440) 269-8166	
SCALE	SHEET	DRAWN BY	
0.400	1 of 2	T.PAUL	
TITLE			
PREM-12X10X4-HNG			
DATE	DRAWING NUMBER	REV	
07.20.2021	H12104H	A	

UNLESS OTHERWISE SPECIFIED:  
DIMENSIONS ARE IN INCHES (mm)  
AND ARE NOMINAL ONLY

PROPRIETARY AND CONFIDENTIAL:  
THE INFORMATION CONTAINED IN THIS  
DRAWING IS THE SOLE PROPERTY OF  
INTEGRA ENCLOSURES. ANY  
REPRODUCTION IN PART OR AS A  
WHOLE WITHOUT THE WRITTEN  
PERMISSION OF INTEGRA  
ENCLOSURES IS PROHIBITED.



SECTION C-C



SECTION A-A

		MUM INDUSTRIES 8989 TYLER BLVD MENTOR, OHIO, U.S.A. (440) 269-8155 FAX (440) 269-8166	
		SCALE <b>0.500</b>	SHEET <b>2 of 2</b>
TITLE <b>PREM-12X10X4-HNG</b>			
DATE <b>07.20.2021</b>		DRAWING NUMBER <b>H12104H</b>	REV <b>A</b>

UNLESS OTHERWISE SPECIFIED:  
 DIMENSIONS ARE IN INCHES (mm)  
 AND ARE NOMINAL ONLY

PROPRIETARY AND CONFIDENTIAL:  
 THE INFORMATION CONTAINED IN THIS  
 DRAWING IS THE SOLE PROPERTY OF  
 INTEGRA ENCLOSURES. ANY  
 REPRODUCTION IN PART OR AS A  
 WHOLE WITHOUT THE WRITTEN  
 PERMISSION OF INTEGRA  
 ENCLOSURES IS PROHIBITED.