

4

3

2

1

D

D

C

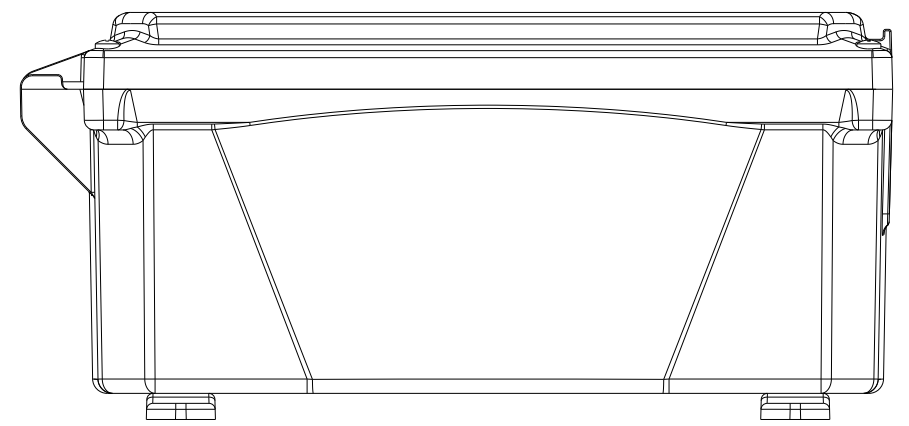
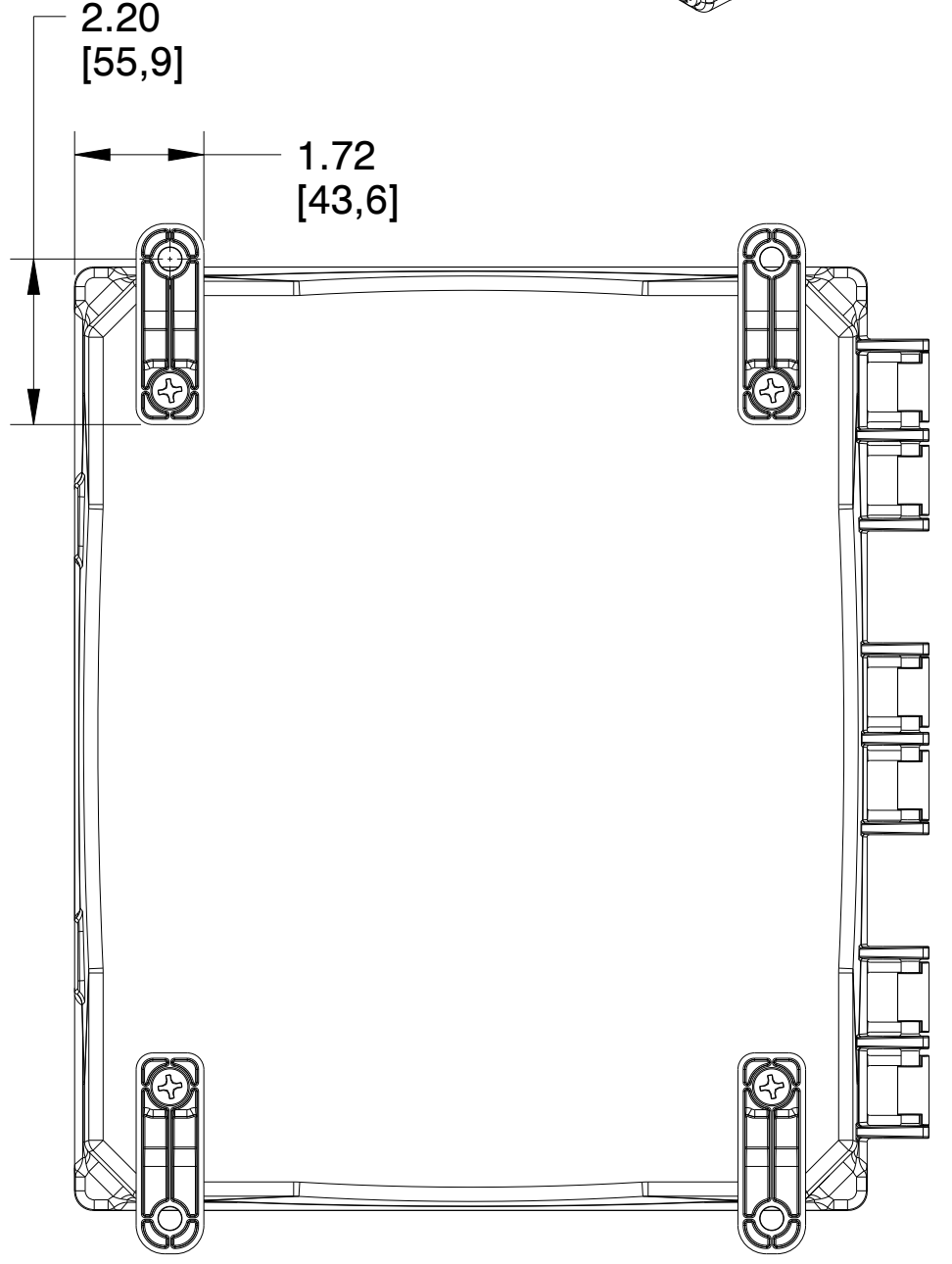
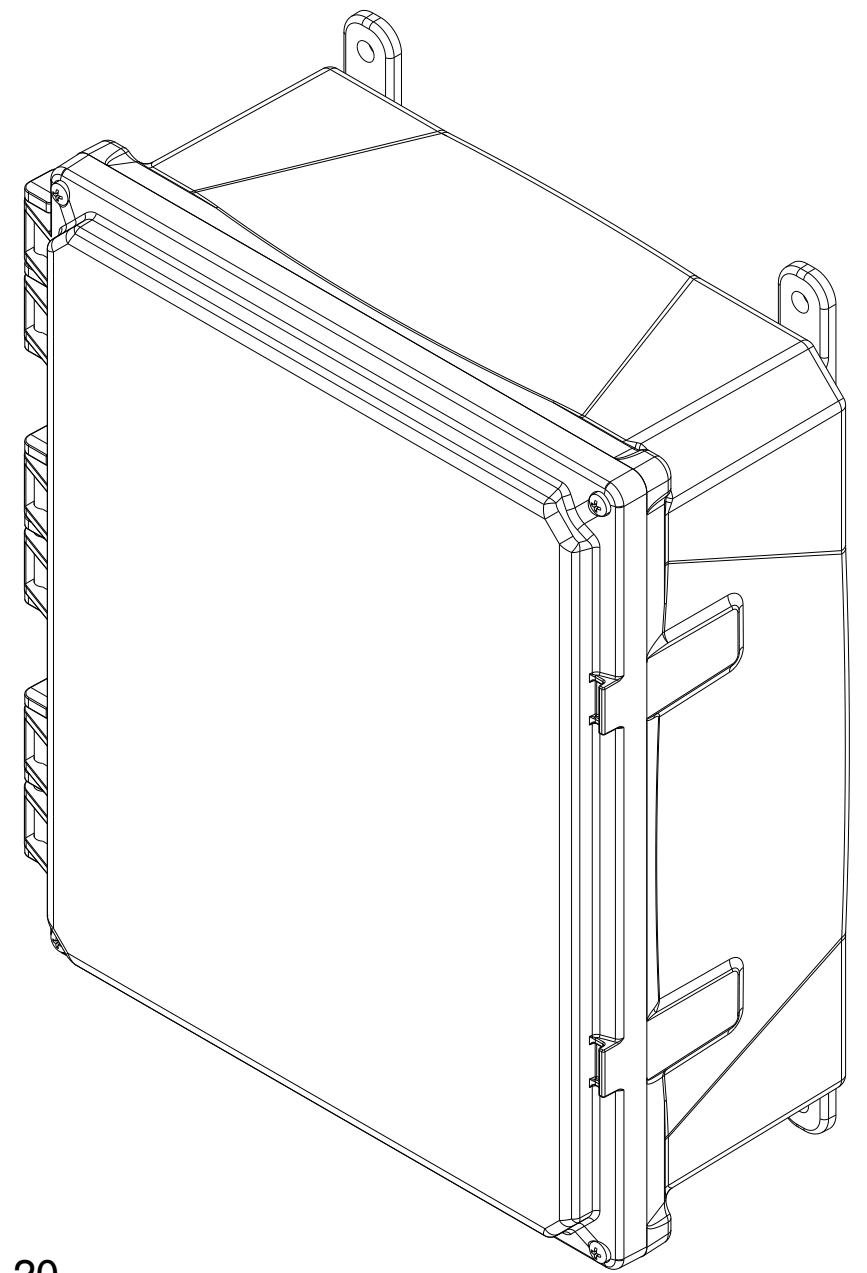
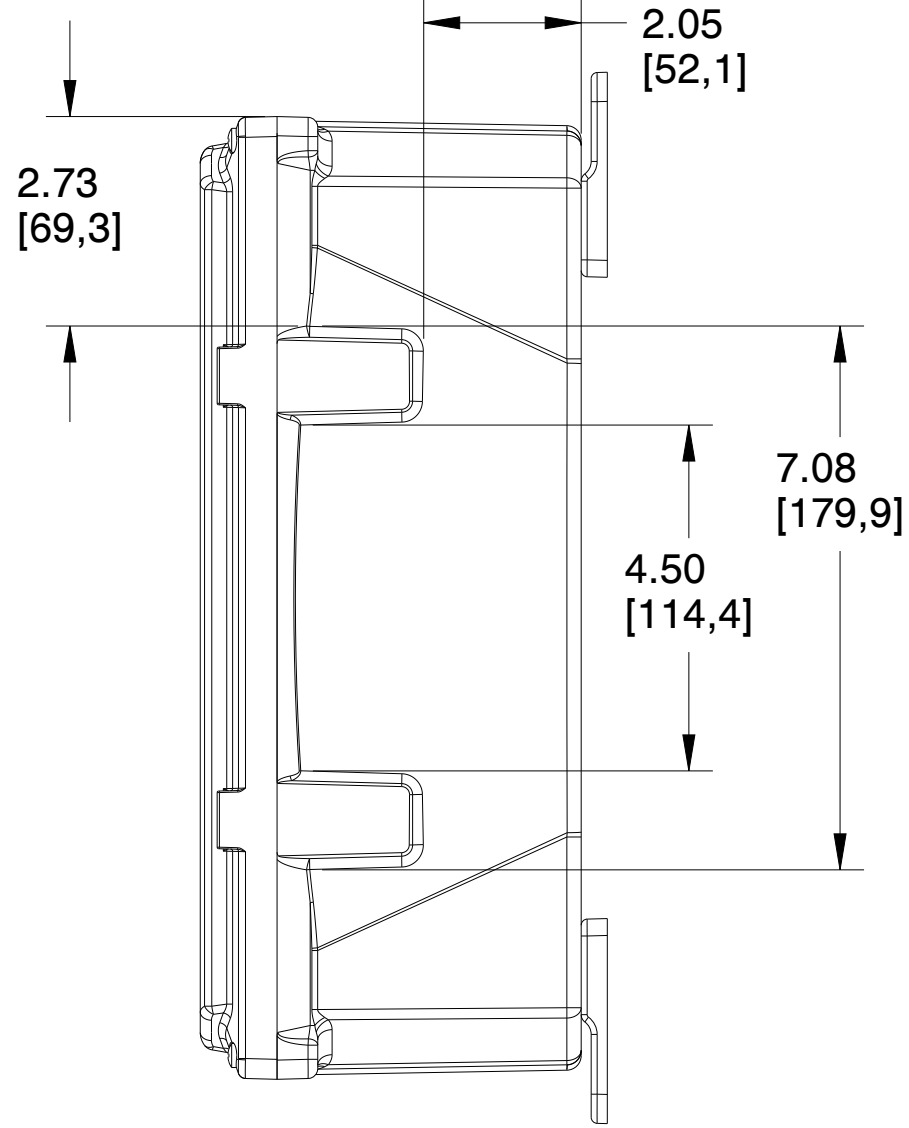
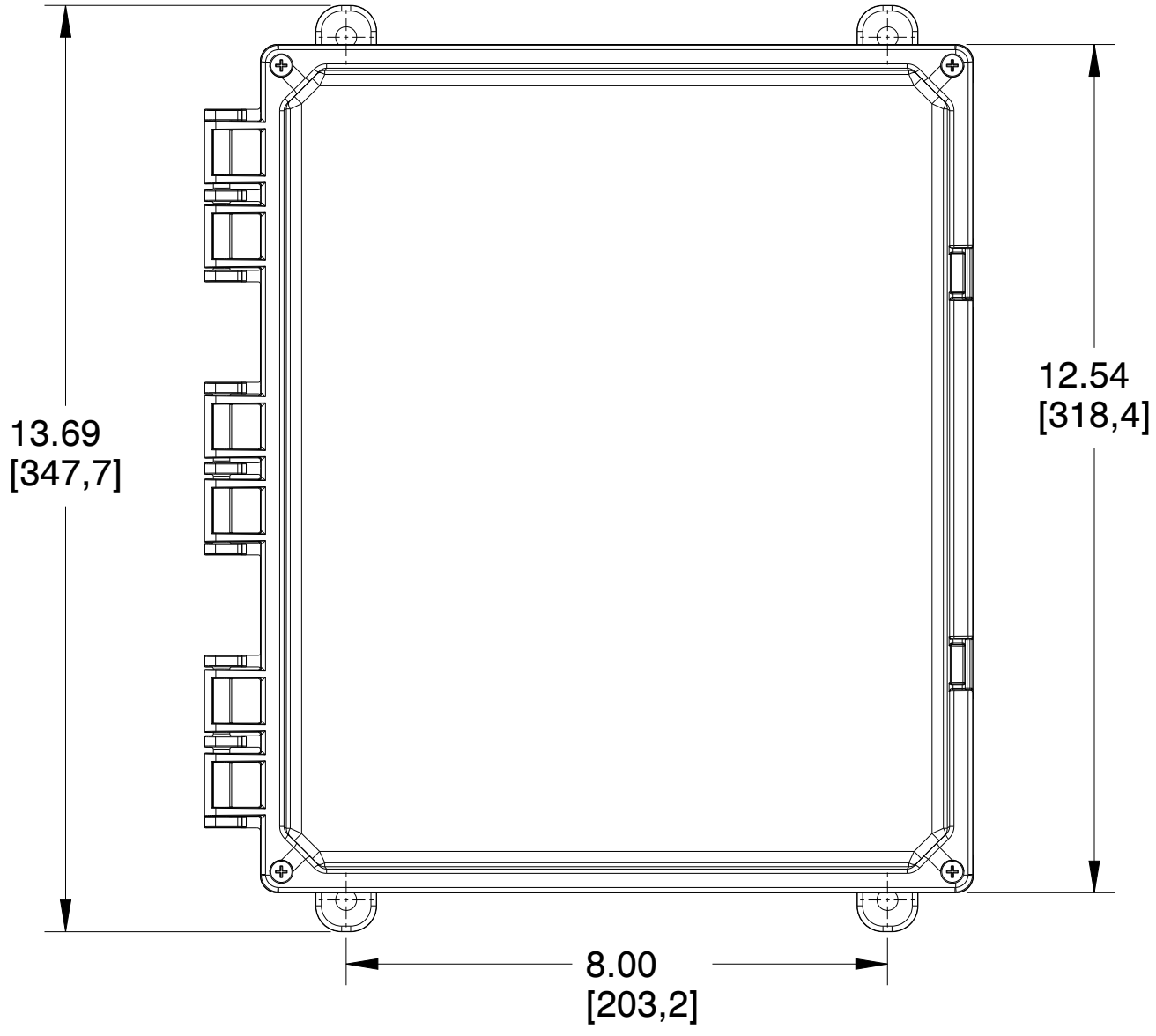
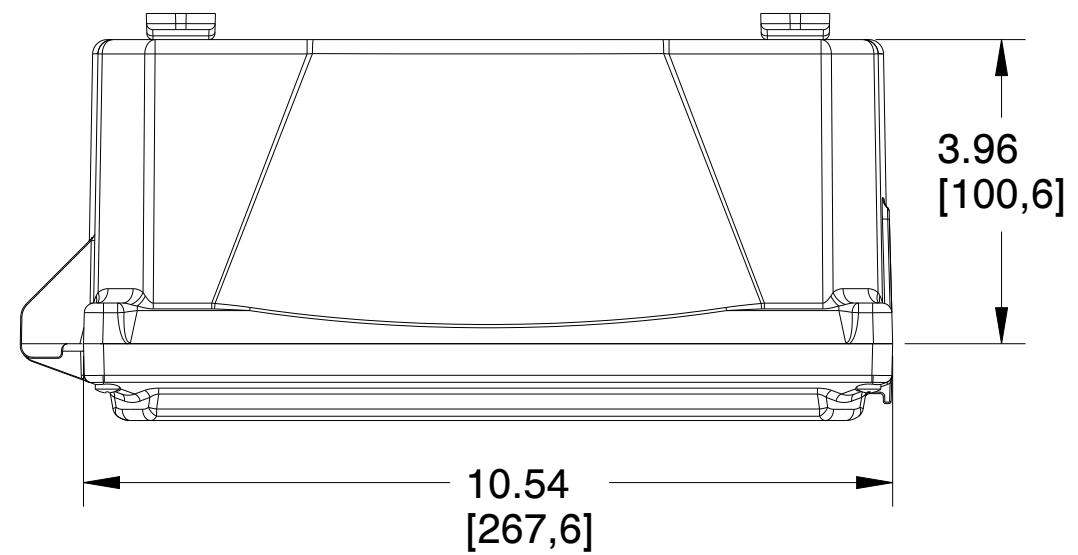
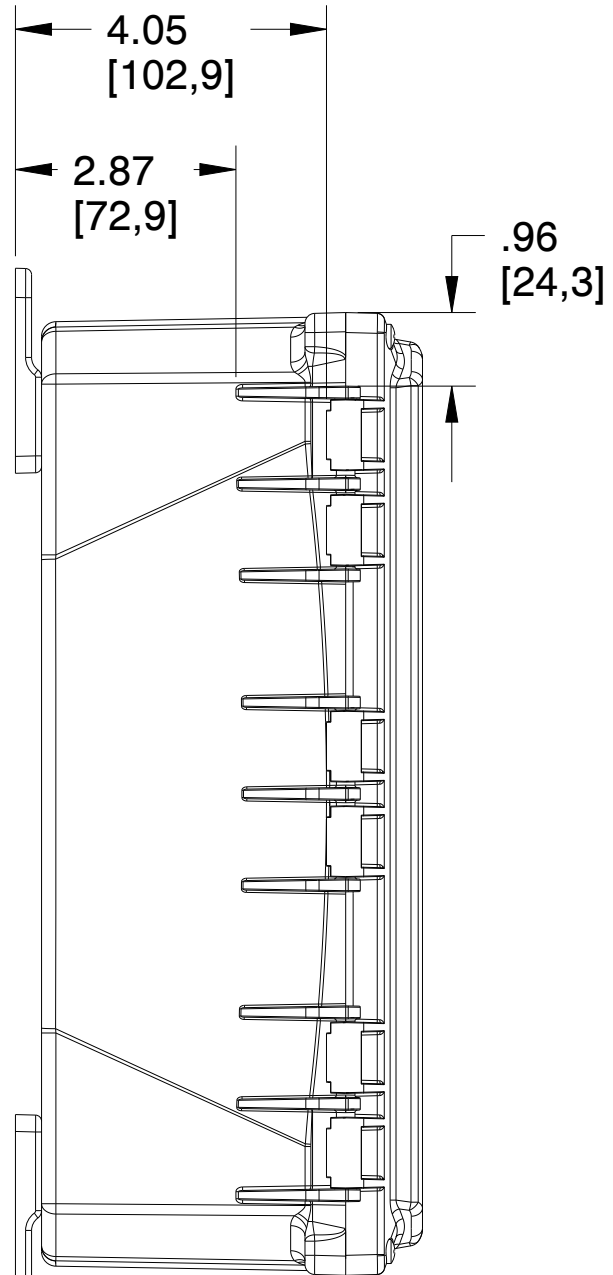
C

B

B

A

A



4

3

2

1

INTEGRA ENCLOSURES
MUM INDUSTRIES
8989 TYLER BLVD
MENTOR, OHIO, U.S.A.
(440) 269-8155 FAX (440) 269-8166

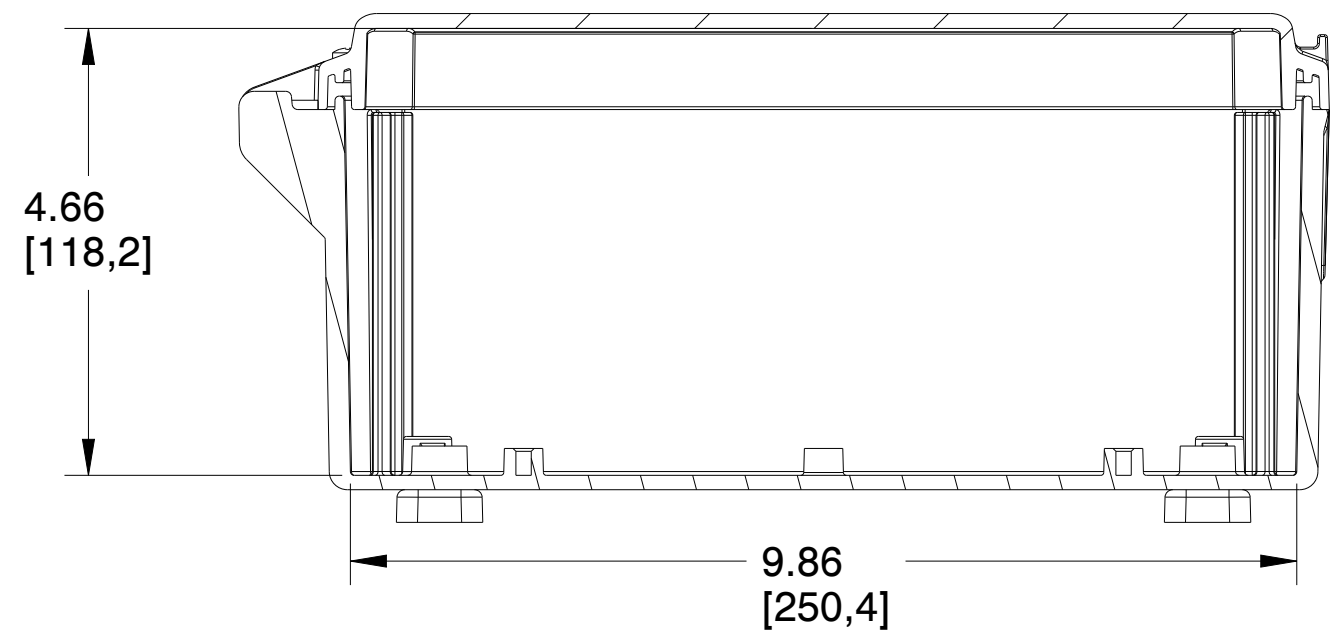
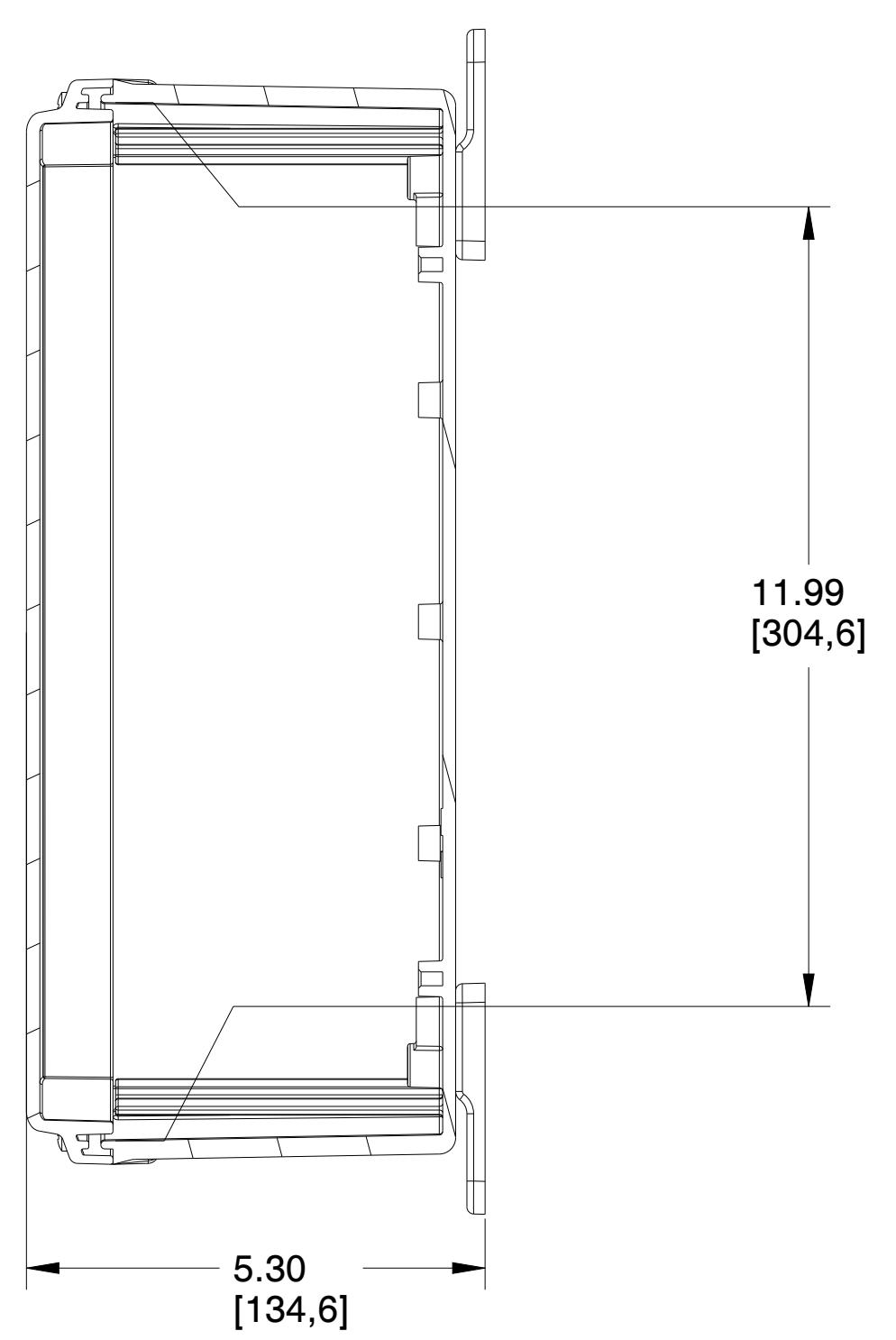
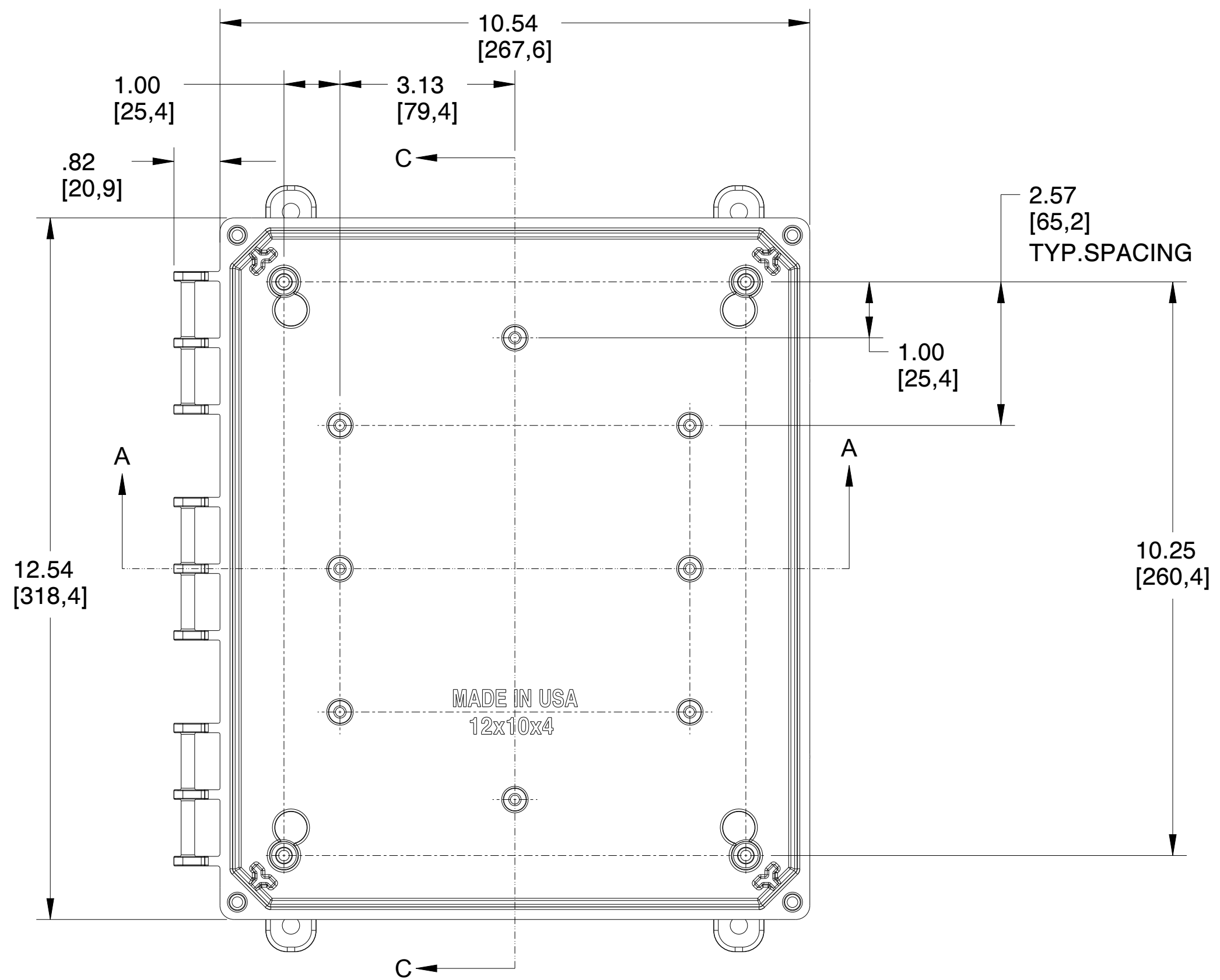
SCALE 0.400	SHEET 1 of 2	DRAWN BY T.PAUL
-----------------------	------------------------	---------------------------

TITLE PREM-12X10X4-HNG

DATE 07.20.2021	DRAWING NUMBER H12104H	REV A
---------------------------	----------------------------------	-----------------

UNLESS OTHERWISE SPECIFIED:
DIMENSIONS ARE IN INCHES (mm)
AND ARE NOMINAL ONLY

PROPRIETARY AND CONFIDENTIAL:
THE INFORMATION CONTAINED IN THIS
DRAWING IS THE SOLE PROPERTY OF
INTEGRA ENCLOSURES. ANY
REPRODUCTION IN PART OR AS A
WHOLE WITHOUT THE WRITTEN
PERMISSION OF INTEGRA
ENCLOSURES IS PROHIBITED.



		MUM INDUSTRIES 8989 TYLER BLVD MENTOR, OHIO, U.S.A. (440) 269-8155 FAX (440) 269-8166	
		SCALE 0.500	SHEET 2 of 2
TITLE PREM-12X10X4-HNG			
DATE 07.20.2021		DRAWING NUMBER H12104H	REV A

UNLESS OTHERWISE SPECIFIED:
 DIMENSIONS ARE IN INCHES (mm)
 AND ARE NOMINAL ONLY

PROPRIETARY AND CONFIDENTIAL:
 THE INFORMATION CONTAINED IN THIS
 DRAWING IS THE SOLE PROPERTY OF
 INTEGRA ENCLOSURES. ANY
 REPRODUCTION IN PART OR AS A
 WHOLE WITHOUT THE WRITTEN
 PERMISSION OF INTEGRA
 ENCLOSURES IS PROHIBITED.