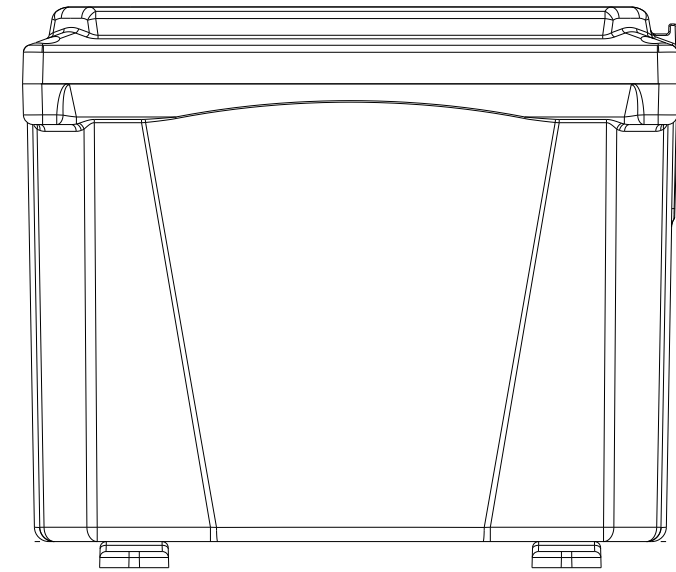
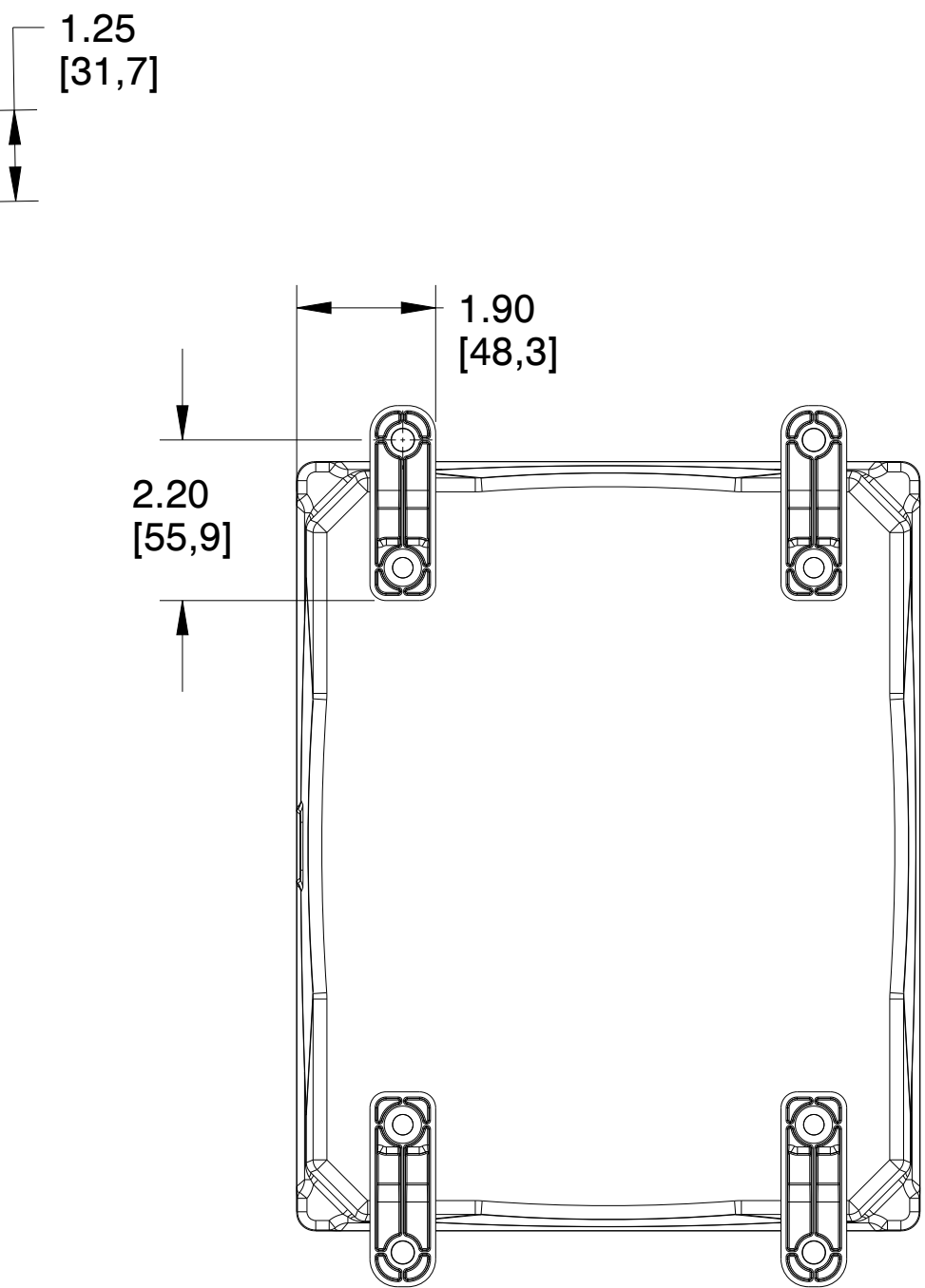
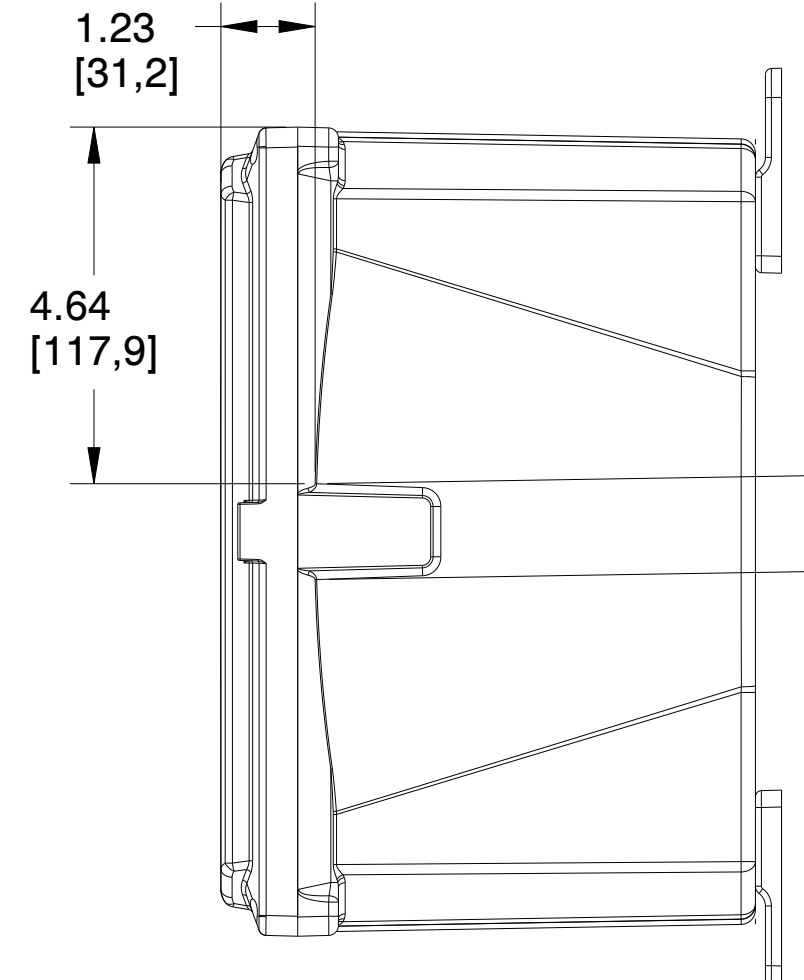
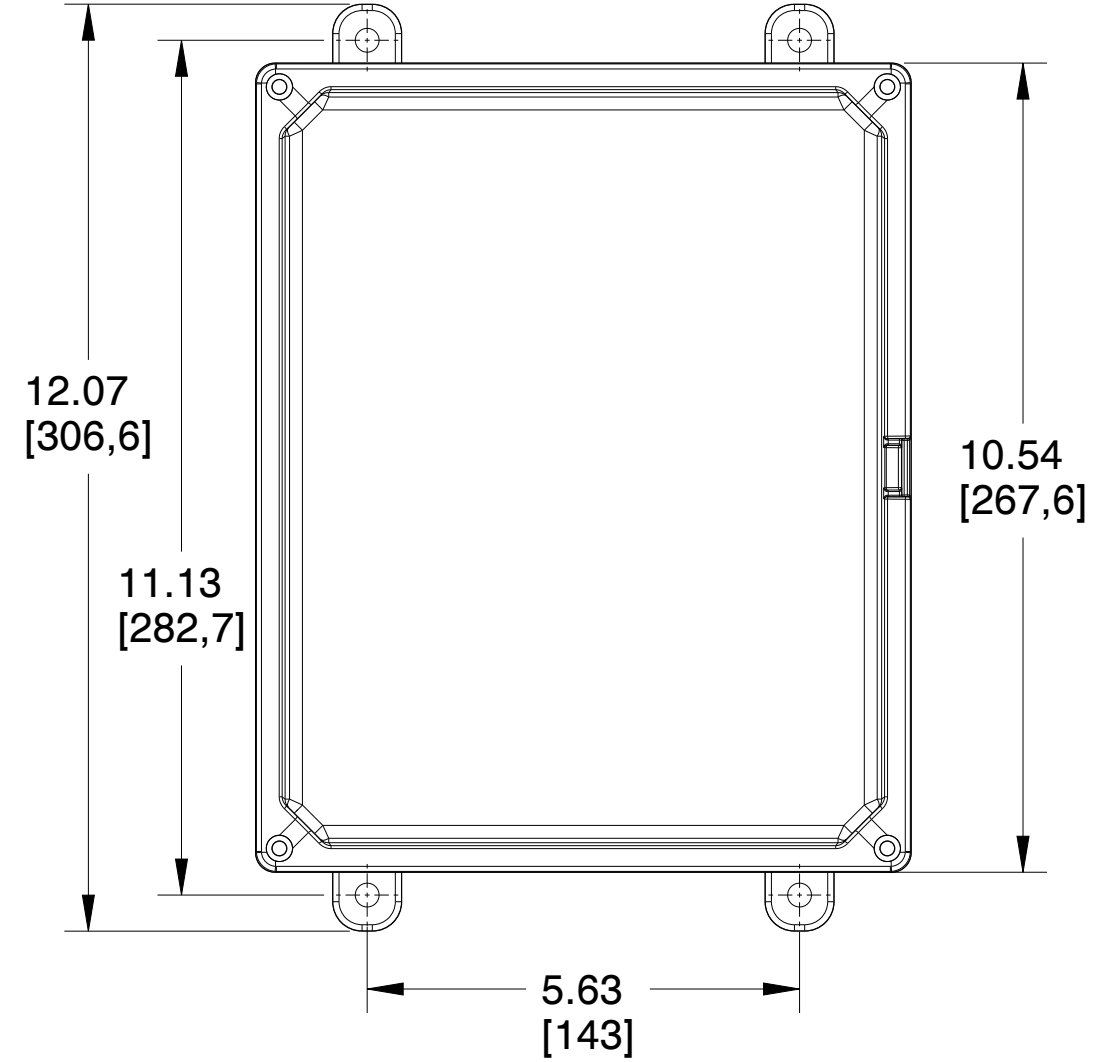
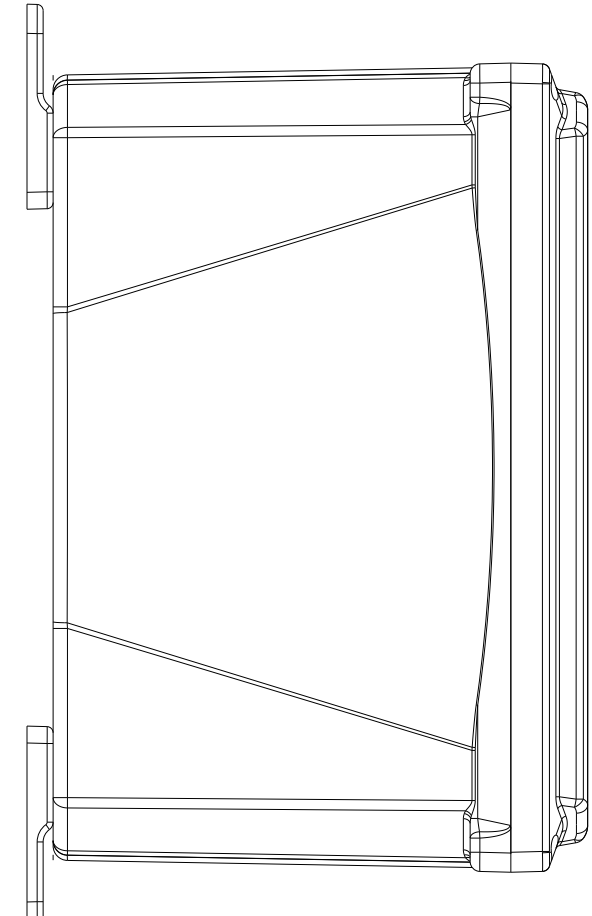
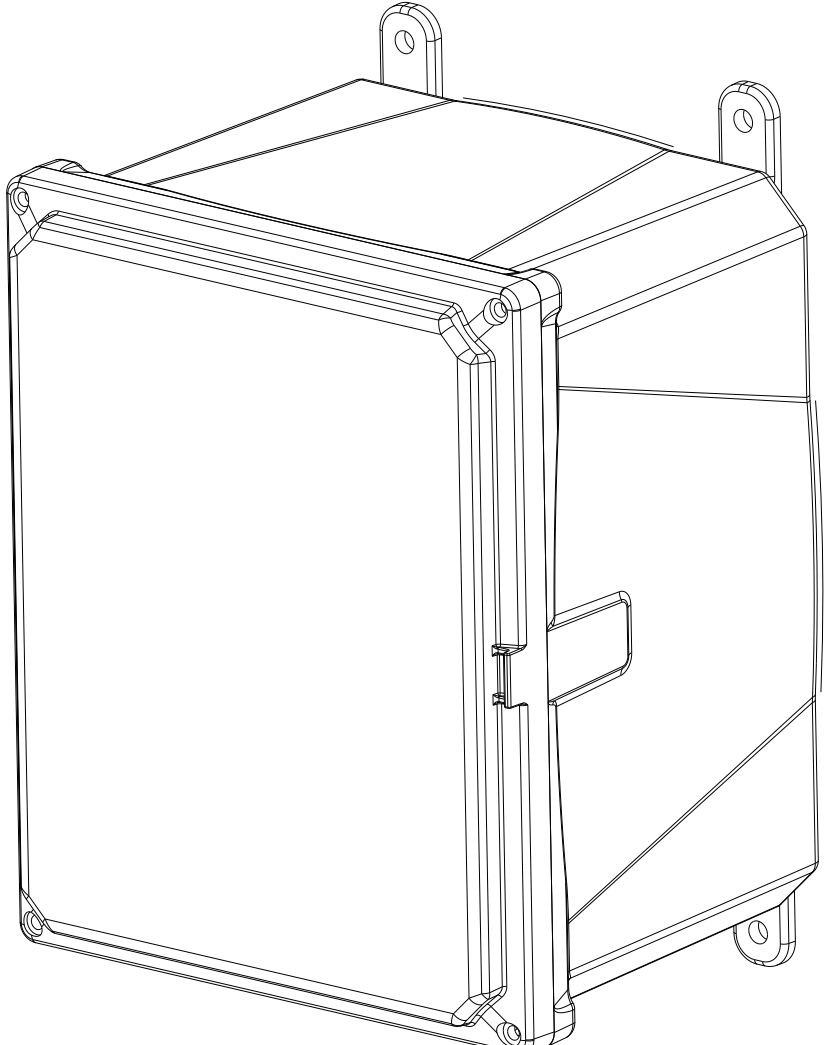
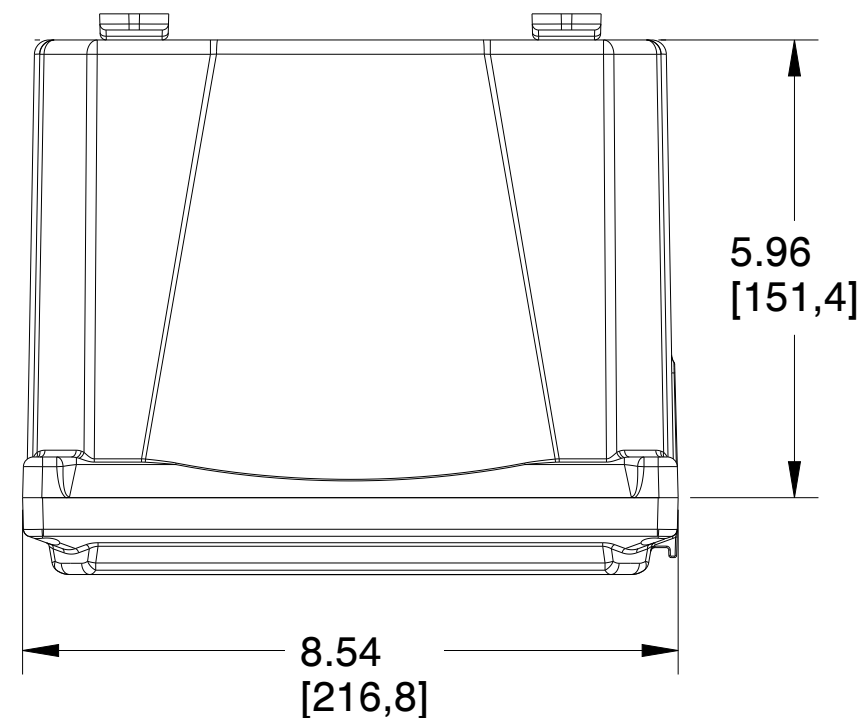


4

3

2

1



INTEGRA ENCLOSURES
 MUM INDUSTRIES
 8989 TYLER BLVD
 MENTOR, OHIO, U.S.A.
 (440) 269-8155 FAX (440) 269-8166

SCALE: 0.400 SHEET: 1 of 2 DRAWN BY: T.PAUL

TITLE: PREM-10X8X6-SCR

DATE: 07.19.2021 DRAWING NUMBER: H10086S REV: A

UNLESS OTHERWISE SPECIFIED:
 DIMENSIONS ARE IN INCHES (mm)
 AND ARE NOMINAL ONLY

PROPRIETARY AND CONFIDENTIAL:
 THE INFORMATION CONTAINED IN THIS
 DRAWING IS THE SOLE PROPERTY OF
 INTEGRA ENCLOSURES. ANY
 REPRODUCTION IN PART OR AS A
 WHOLE WITHOUT THE WRITTEN
 PERMISSION OF INTEGRA
 ENCLOSURES IS PROHIBITED.

4

3

2

1

D

D

C

C

B

B

A

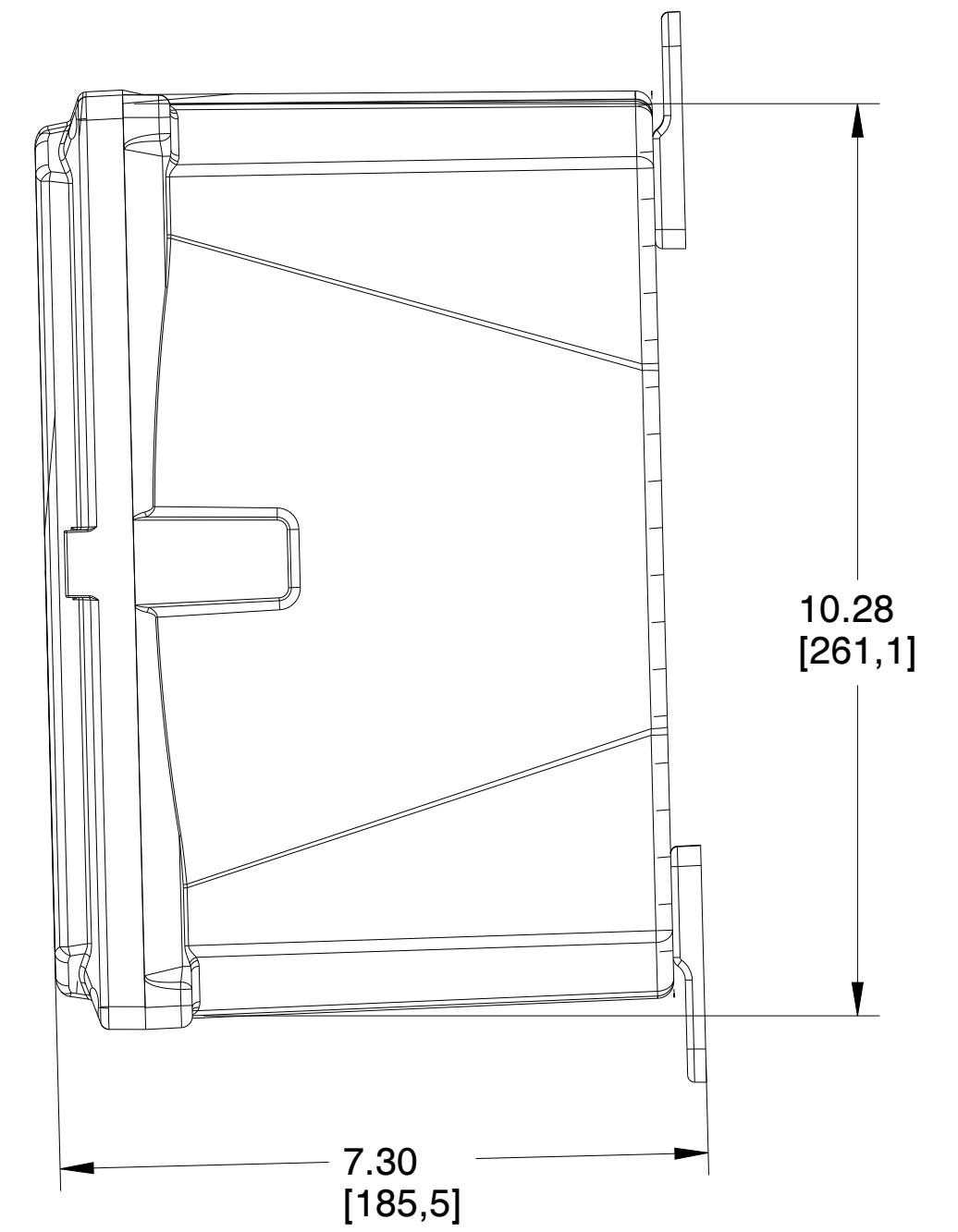
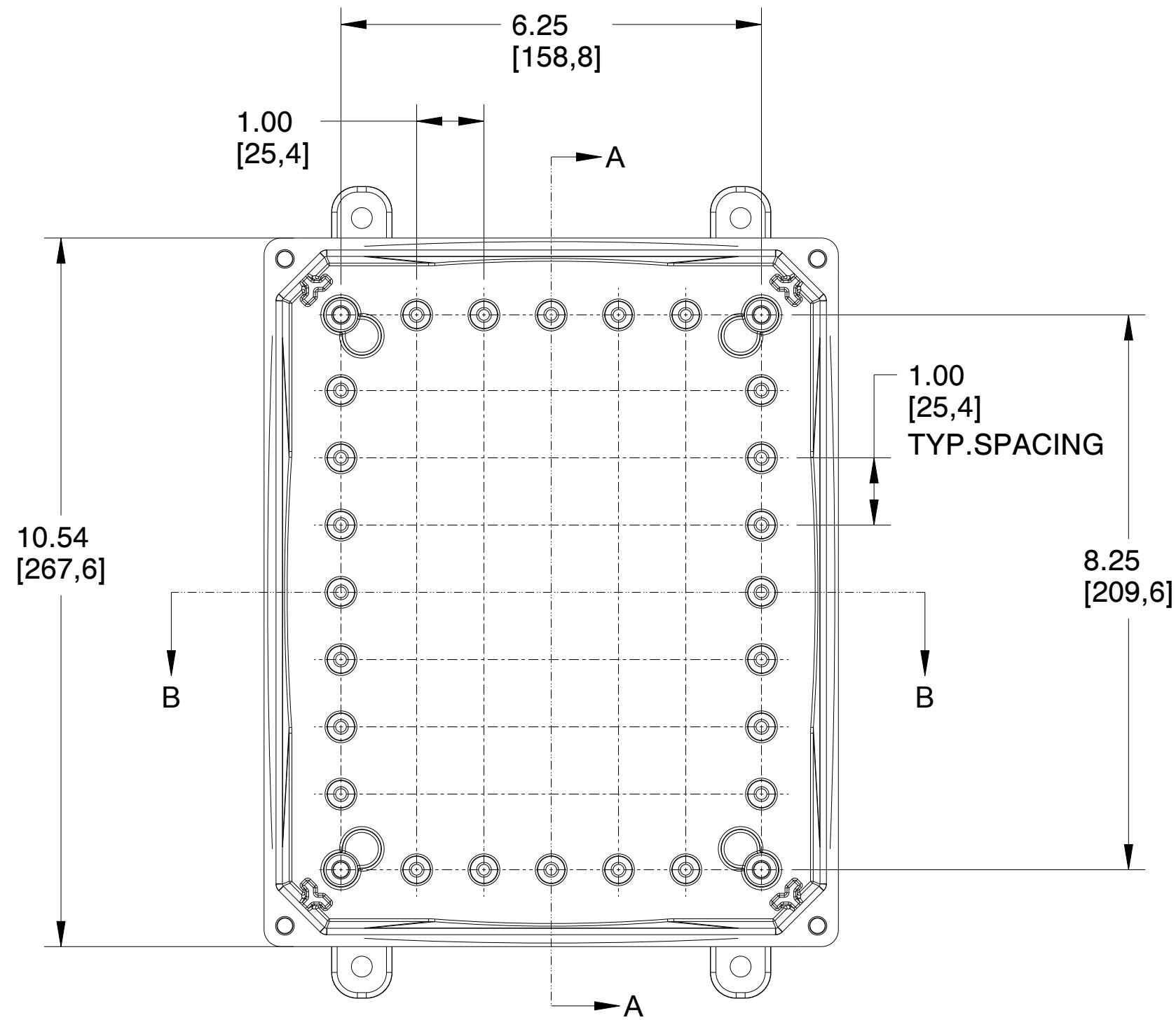
A

4

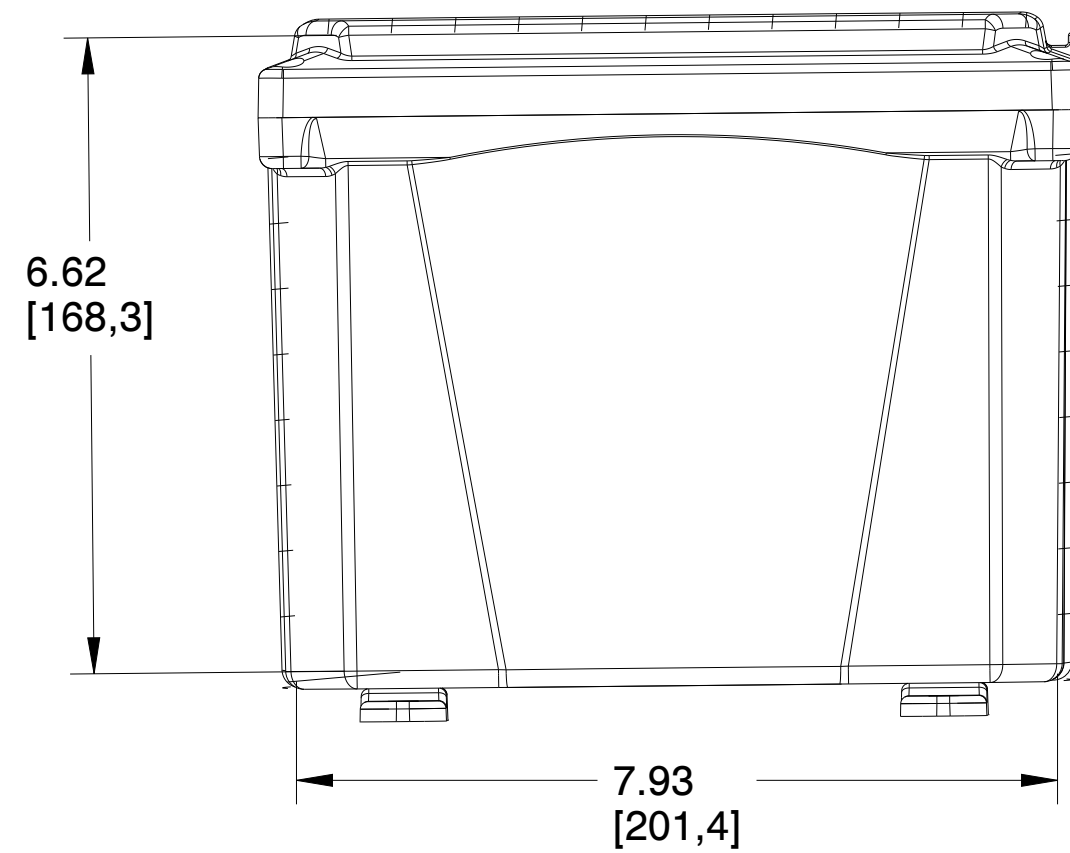
3

2

1



SECTION A-A



SECTION B-B

		MUM INDUSTRIES 8989 TYLER BLVD MENTOR, OHIO, U.S.A. (440) 269-8155 FAX (440) 269-8166	
		SCALE 0.500	SHEET 2 of 2
TITLE PREM-10X8X6-SCR			
DATE 07.19.2021	DRAWING NUMBER H10086S	REV A	

UNLESS OTHERWISE SPECIFIED:
 DIMENSIONS ARE IN INCHES (mm)
 AND ARE NOMINAL ONLY

PROPRIETARY AND CONFIDENTIAL:
 THE INFORMATION CONTAINED IN THIS
 DRAWING IS THE SOLE PROPERTY OF
 INTEGRA ENCLOSURES. ANY
 REPRODUCTION IN PART OR AS A
 WHOLE WITHOUT THE WRITTEN
 PERMISSION OF INTEGRA
 ENCLOSURES IS PROHIBITED.

4

3

2

1

D

D

C

C

B

B

A

A