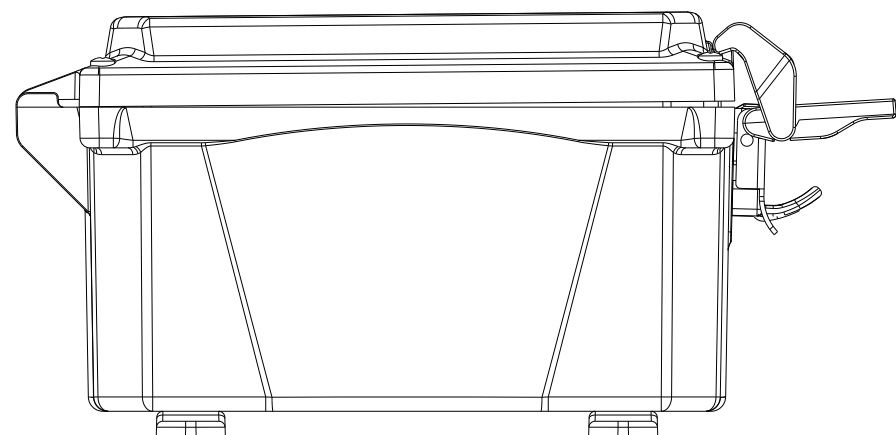
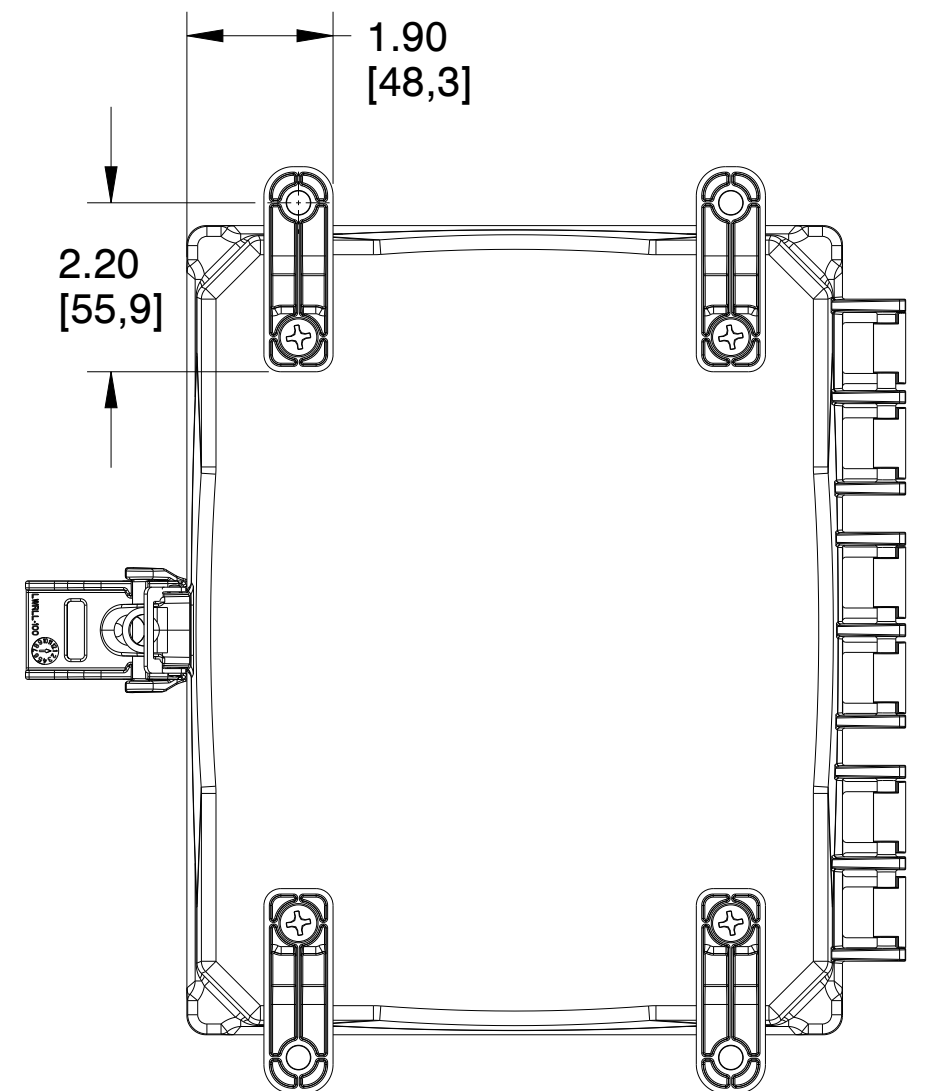
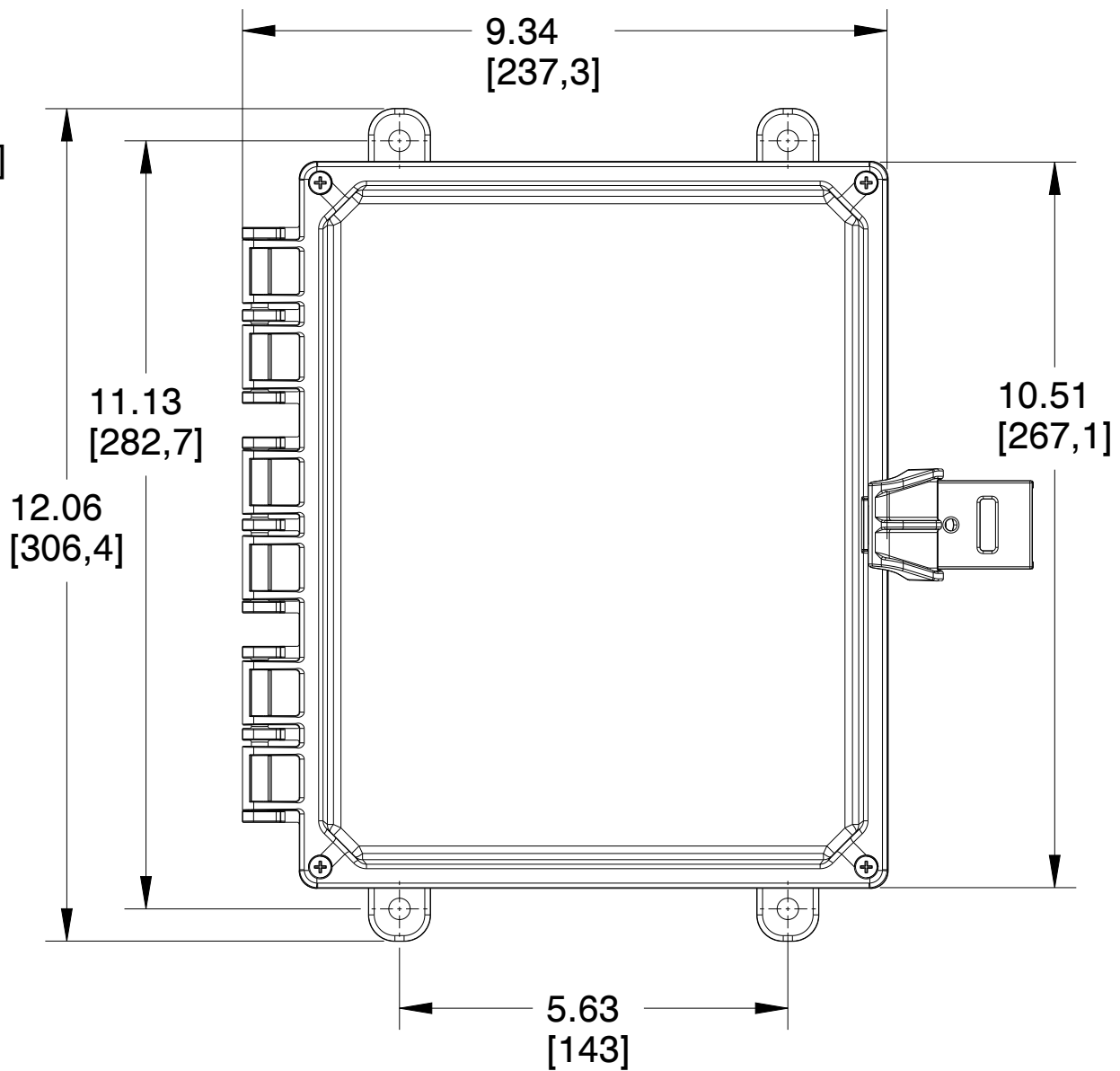
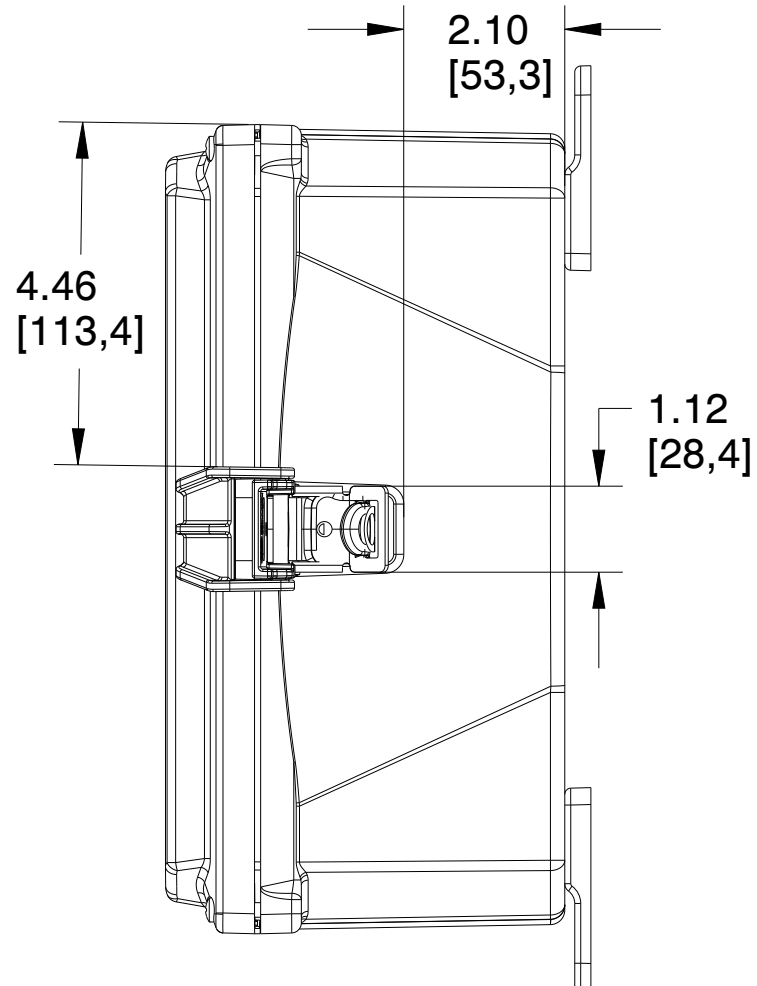
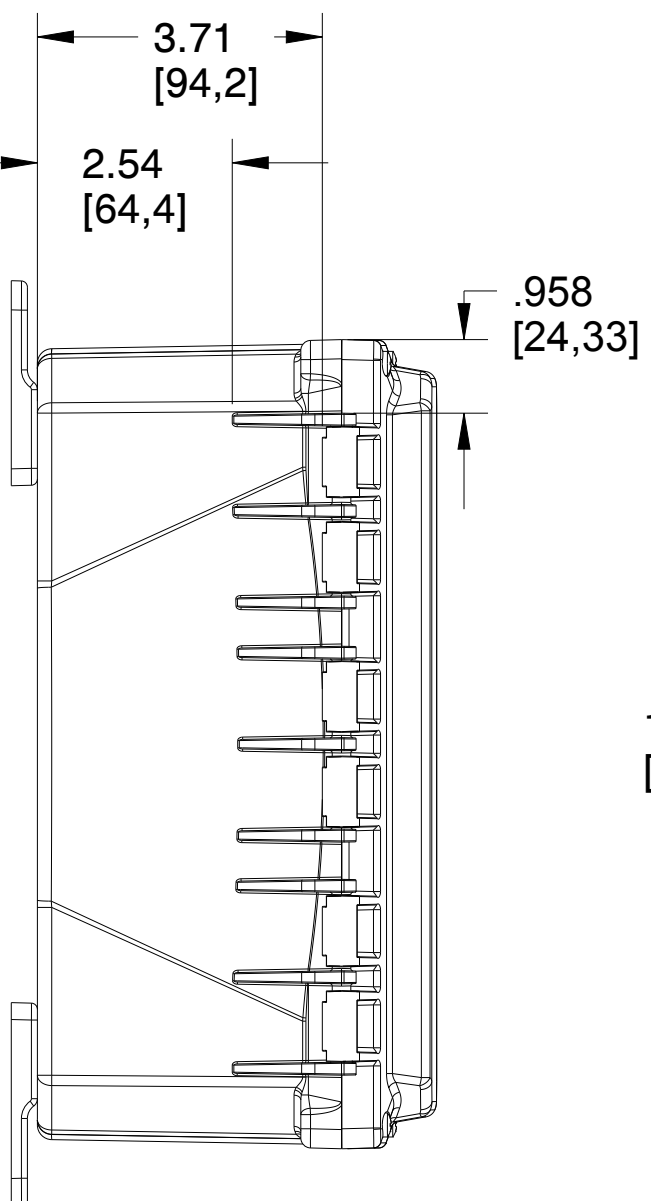
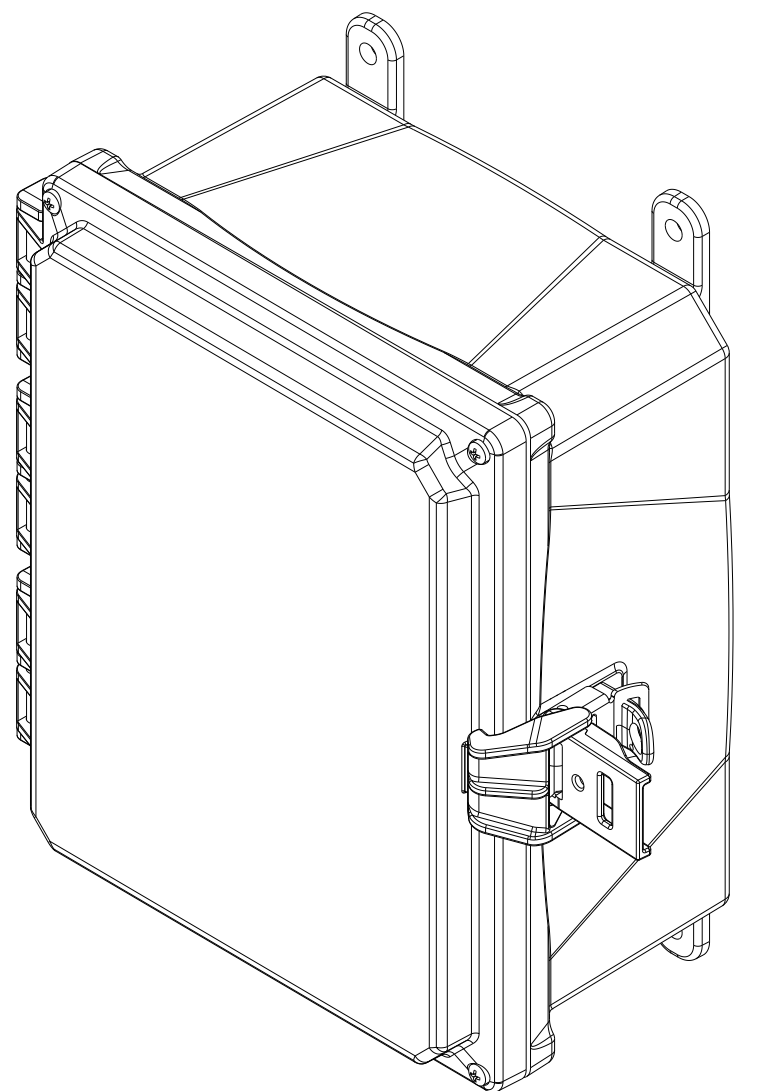
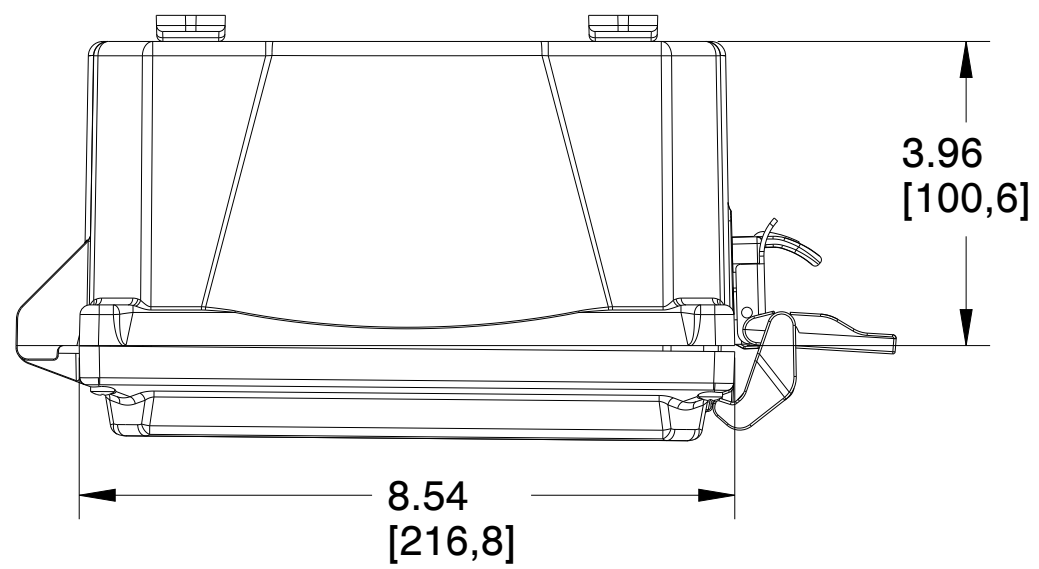


4

3

2

1



| | | |
|-------------------------|----------------|--|
| | | MUM INDUSTRIES 8989 TYLER BLVD MENTOR, OHIO, U.S.A. (440) 269-8155 FAX (440) 269-8166 |
| SCALE | SHEET | DRAWN BY |
| 0.400 | 1 of 2 | T.PAUL |
| TITLE | | |
| PREM-10X8X4-HNG-GRY-SLL | | |
| DATE | DRAWING NUMBER | REV |
| 07.29.2021 | H10084HLL | A |

UNLESS OTHERWISE SPECIFIED:
DIMENSIONS ARE IN INCHES (mm)
AND ARE NOMINAL ONLY.

PROPRIETARY AND CONFIDENTIAL:
THE INFORMATION CONTAINED IN THIS
DRAWING IS THE SOLE PROPERTY OF
INTEGRA ENCLOSURES. ANY
REPRODUCTION IN PART OR AS A
WHOLE WITHOUT THE WRITTEN
PERMISSION OF INTEGRA
ENCLOSURES IS PROHIBITED.

4

3

2

1

D

D

C

C

B

B

A

A

4

3

2

1

D

D

C

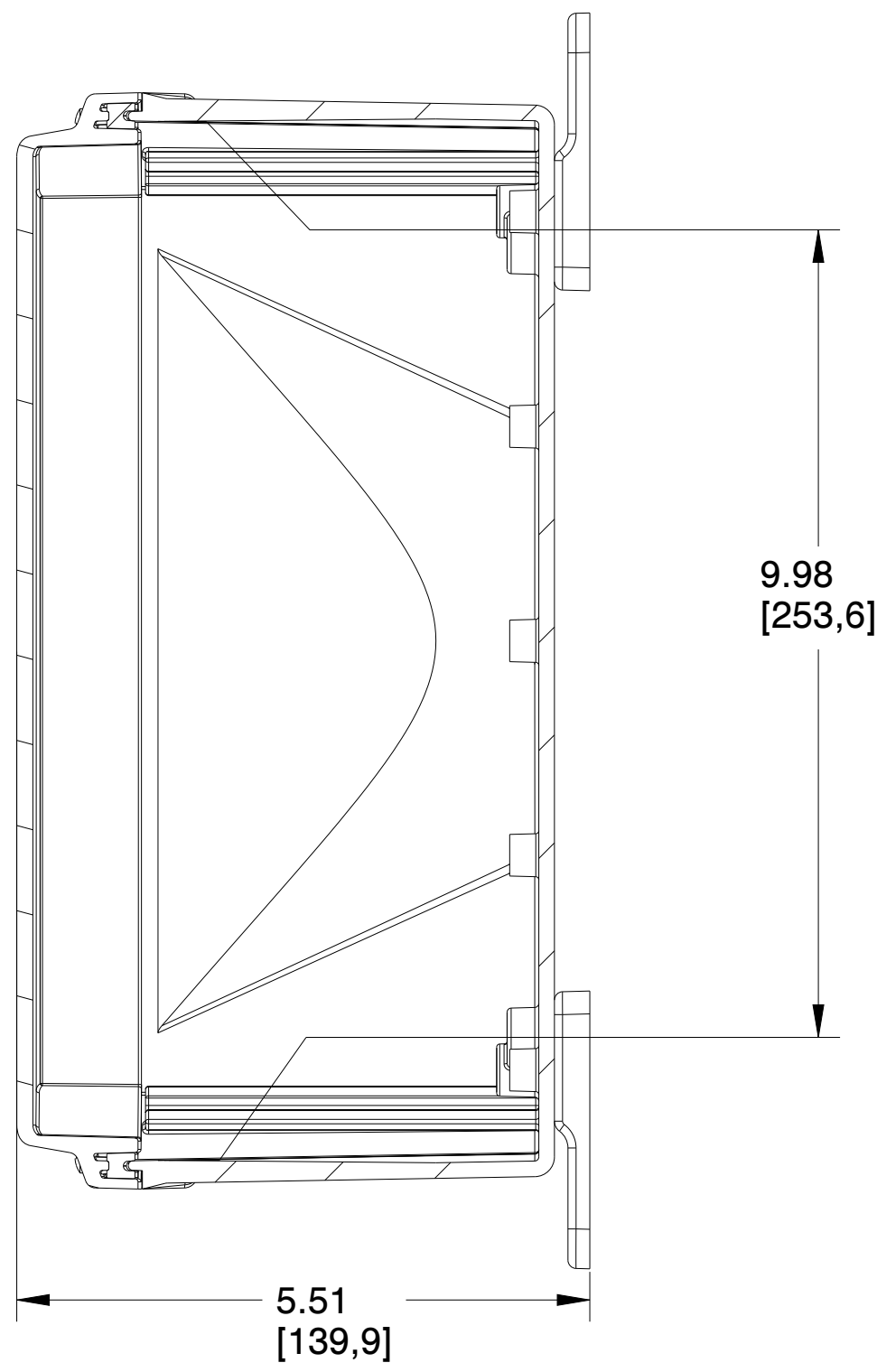
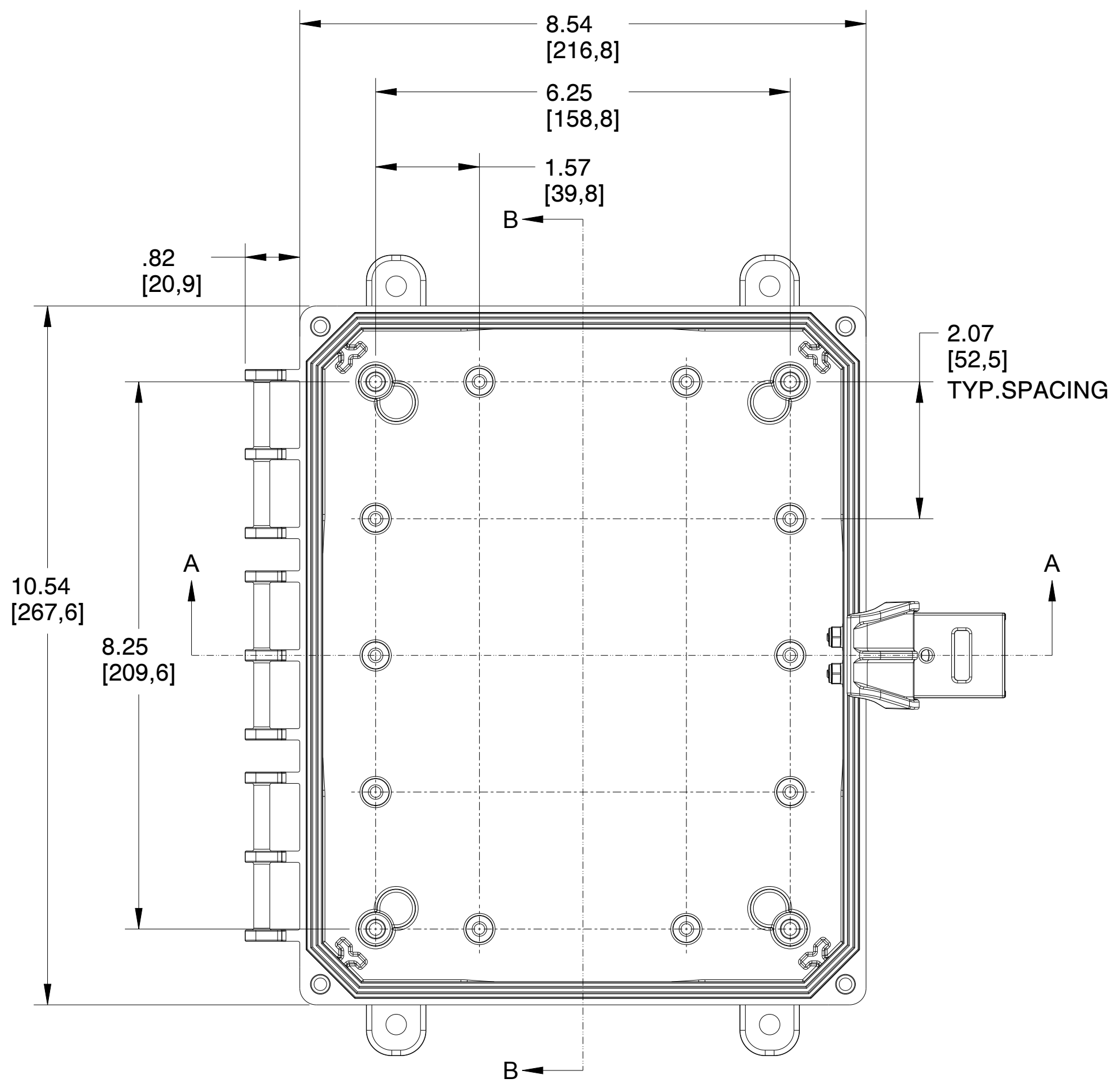
C

B

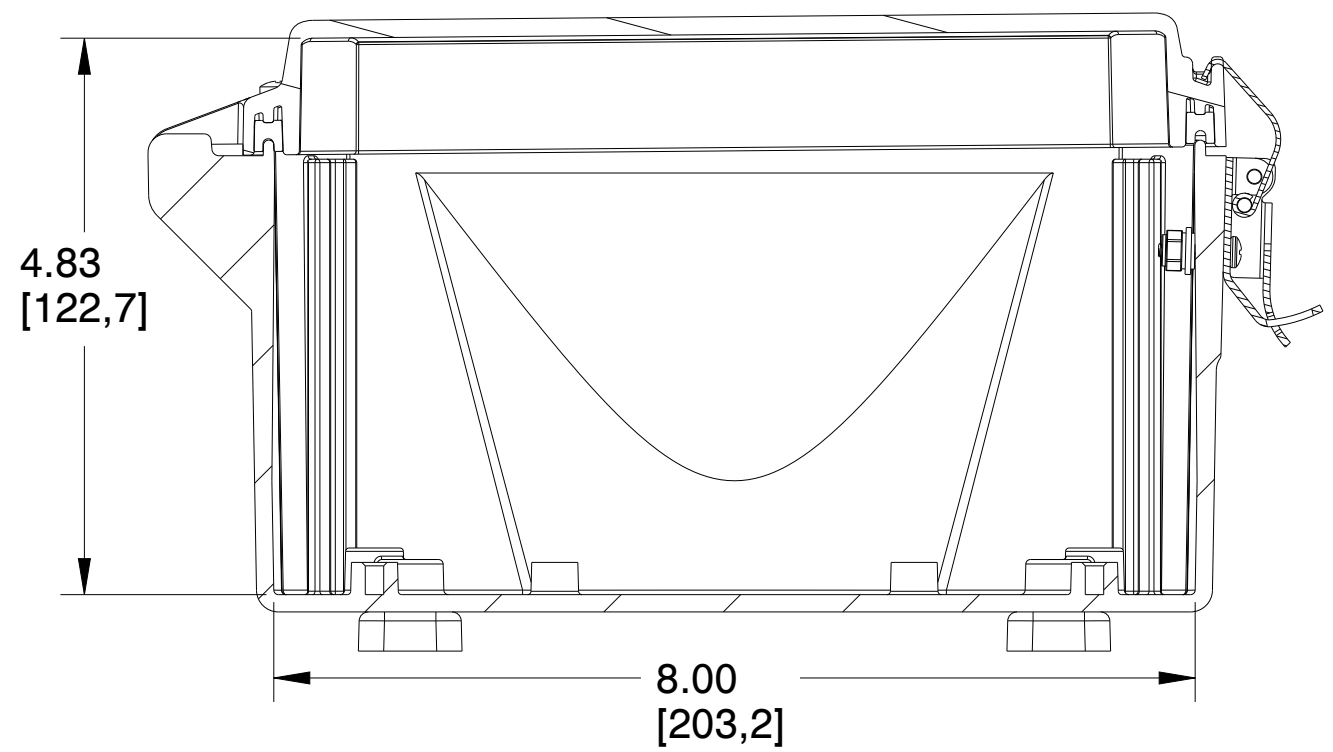
B

A

A



SECTION B-B



SECTION A-A

4

3

2

1



MUM INDUSTRIES
8989 TYLER BLVD
MENTOR, OHIO, U.S.A.
(440) 269-8155 FAX (440) 269-8166

| | | |
|----------------|-----------------|--------------------|
| SCALE 0.600 | SHEET 2 of 2 | DRAWN BY T.PAUL |
|----------------|-----------------|--------------------|

TITLE
PREM-10X8X4-HNG-GRY-SLL

| | | |
|------|-----------------------------|----------|
| DATE | DRAWING NUMBER H10084HLL | REV A |
|------|-----------------------------|----------|

UNLESS OTHERWISE SPECIFIED:
DIMENSIONS ARE IN INCHES (mm)
AND ARE NOMINAL ONLY

PROPRIETARY AND CONFIDENTIAL:
THE INFORMATION CONTAINED IN THIS
DRAWING IS THE SOLE PROPERTY OF
INTEGRA ENCLOSURES. ANY
REPRODUCTION IN PART OR AS A
WHOLE WITHOUT THE WRITTEN
PERMISSION OF INTEGRA
ENCLOSURES IS PROHIBITED.