

4

3

2

1

D

D

C

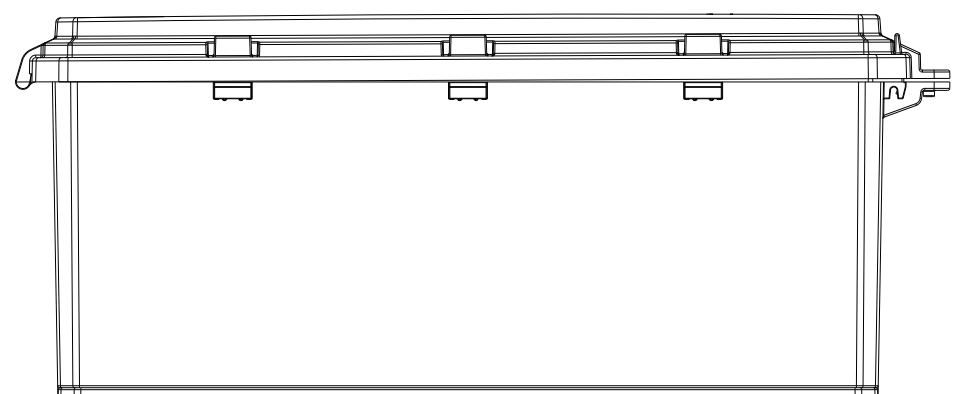
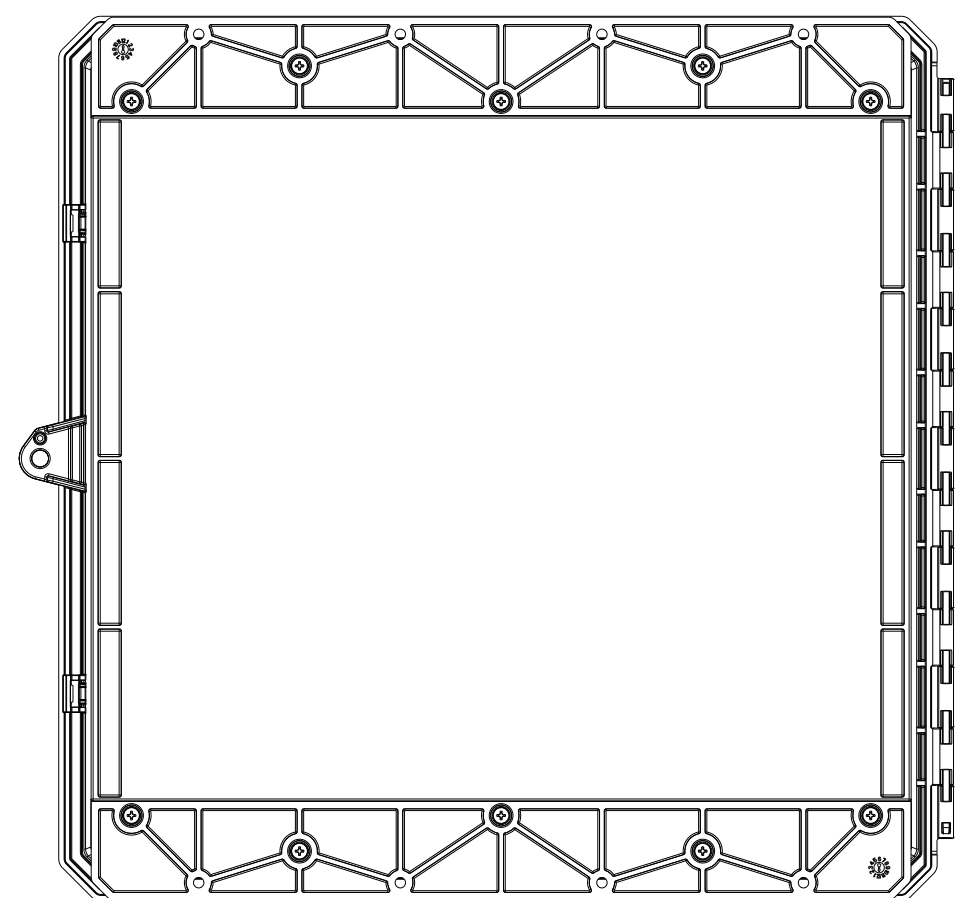
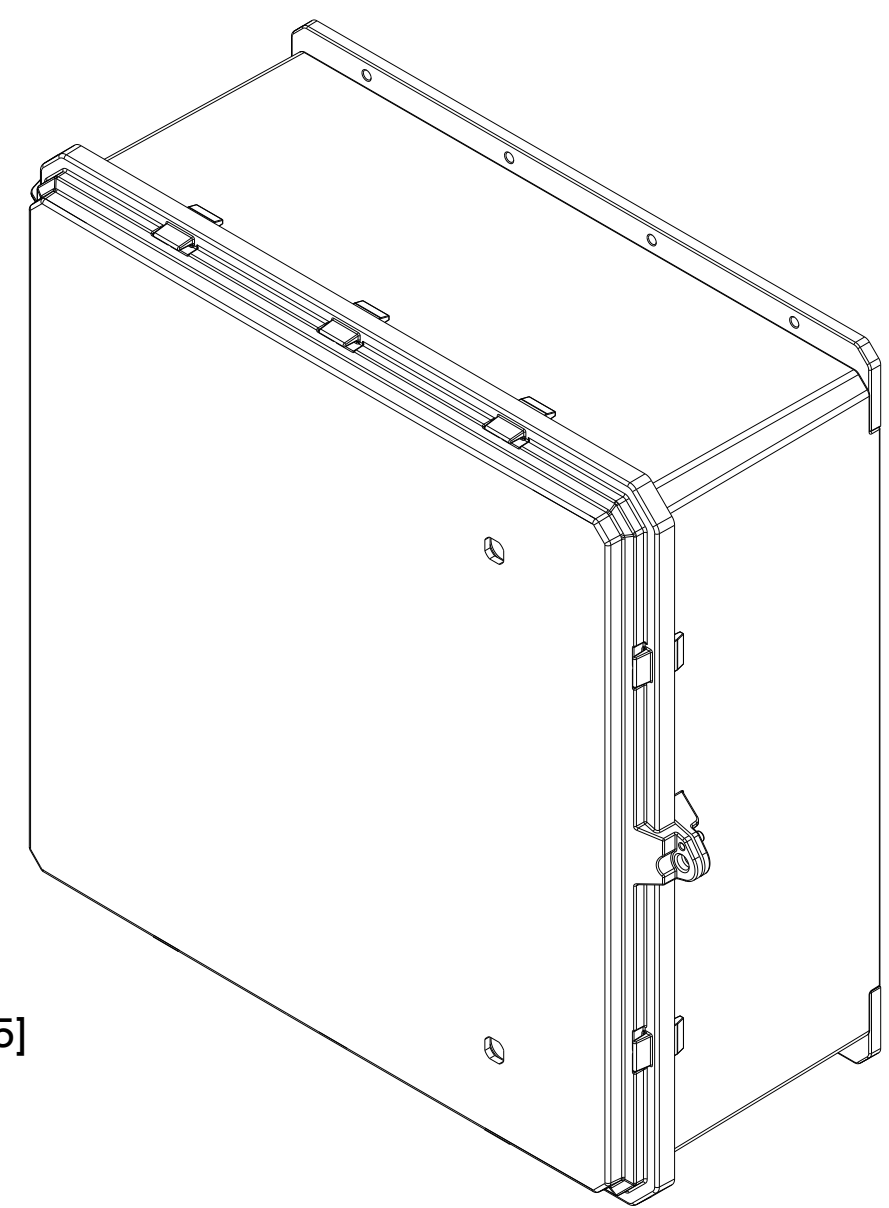
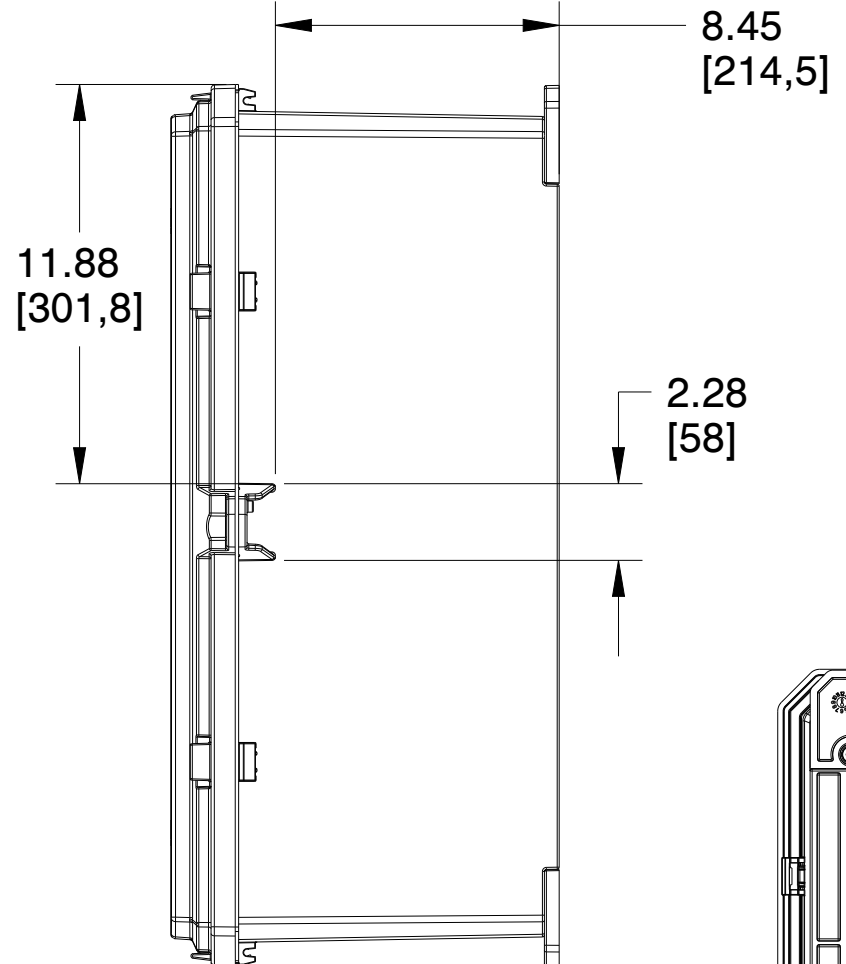
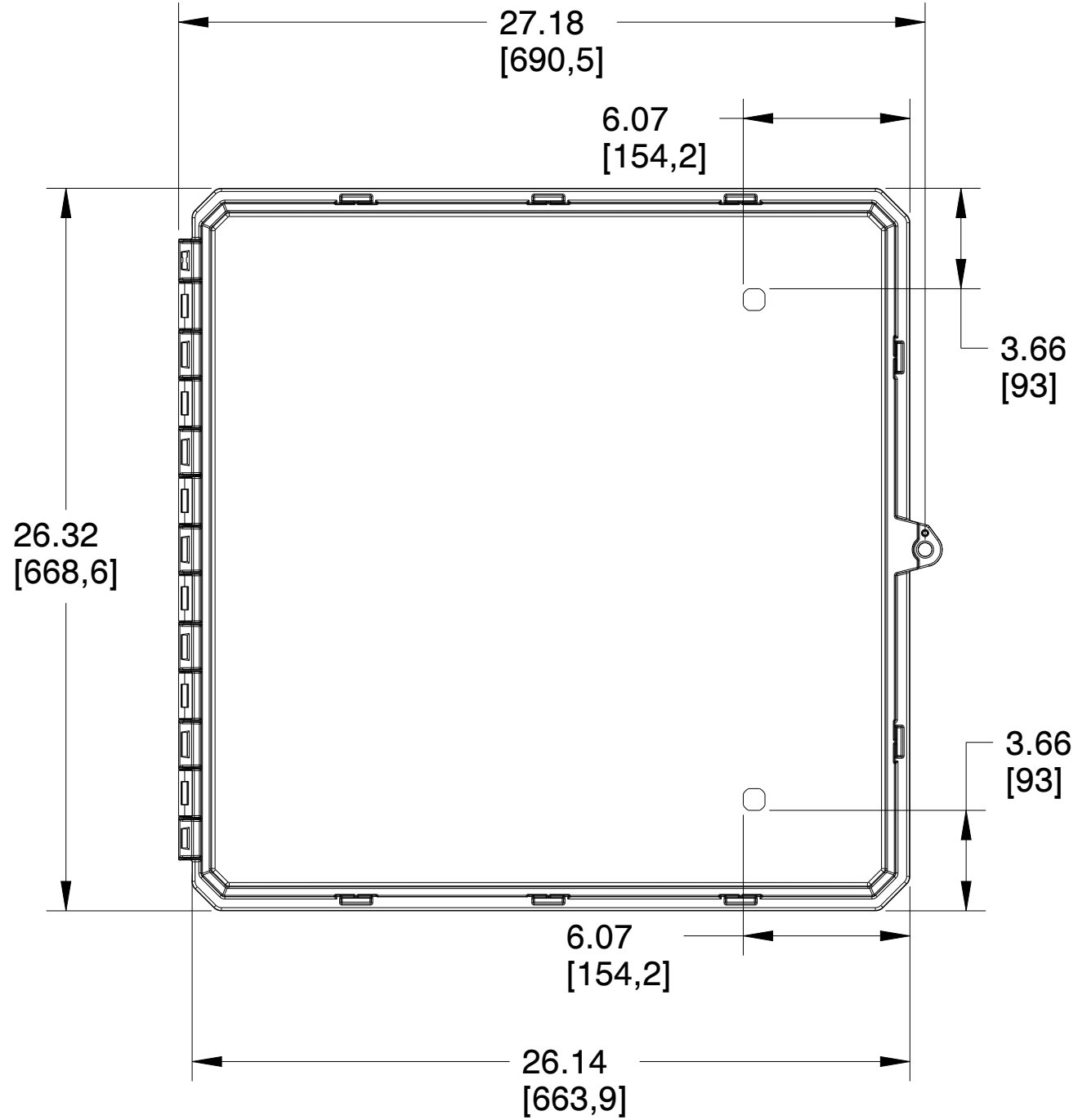
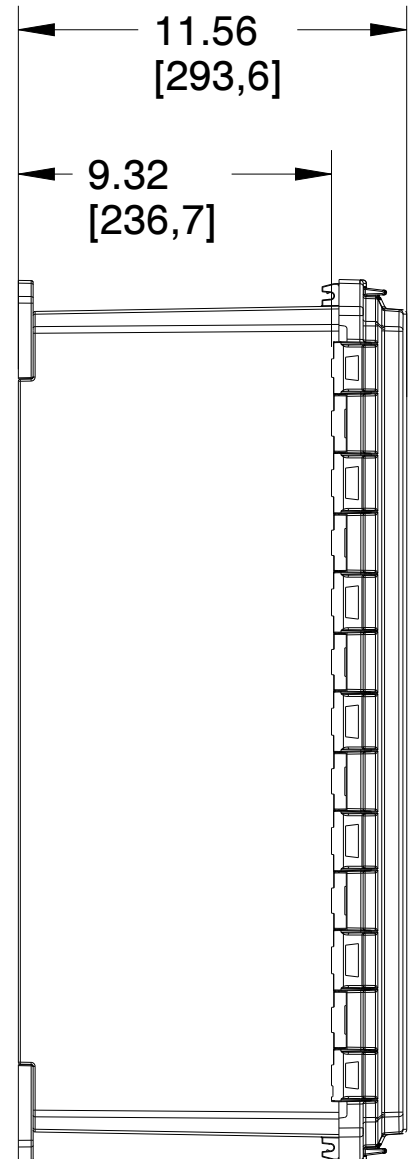
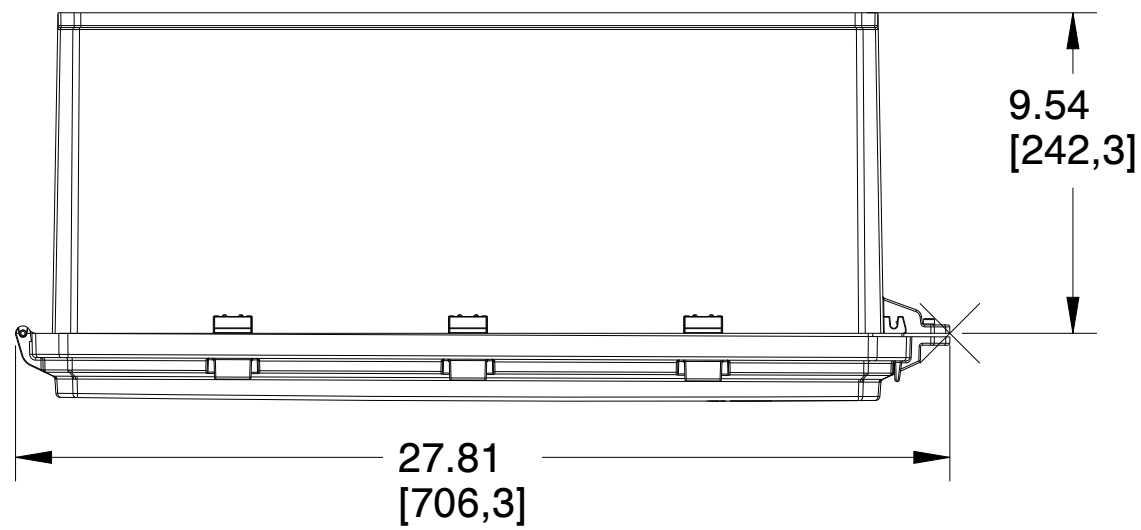
C

B

B

A

A



4

3

2

1



MUM INDUSTRIES  
8989 TYLER BLVD  
MENTOR, OHIO, U.S.A.  
(440) 269-8155 FAX (440) 269-8166

SCALE	SHEET	DRAWN BY
0.175	1 of 2	T.PAUL

TITLE  
**GEN-24X24X10-QUARTER-TURN-LATCH**

DATE	DRAWING NUMBER	REV
08.03.2021	G242410QTL	A

UNLESS OTHERWISE SPECIFIED:  
DIMENSIONS ARE IN INCHES (mm)  
AND ARE NOMINAL ONLY

PROPRIETARY AND CONFIDENTIAL:  
THE INFORMATION CONTAINED IN THIS  
DRAWING IS THE SOLE PROPERTY OF  
INTEGRA ENCLOSURES. ANY  
REPRODUCTION IN PART OR AS A  
WHOLE WITHOUT THE WRITTEN  
PERMISSION OF INTEGRA  
ENCLOSURES IS PROHIBITED.

4

3

2

1

D

D

C

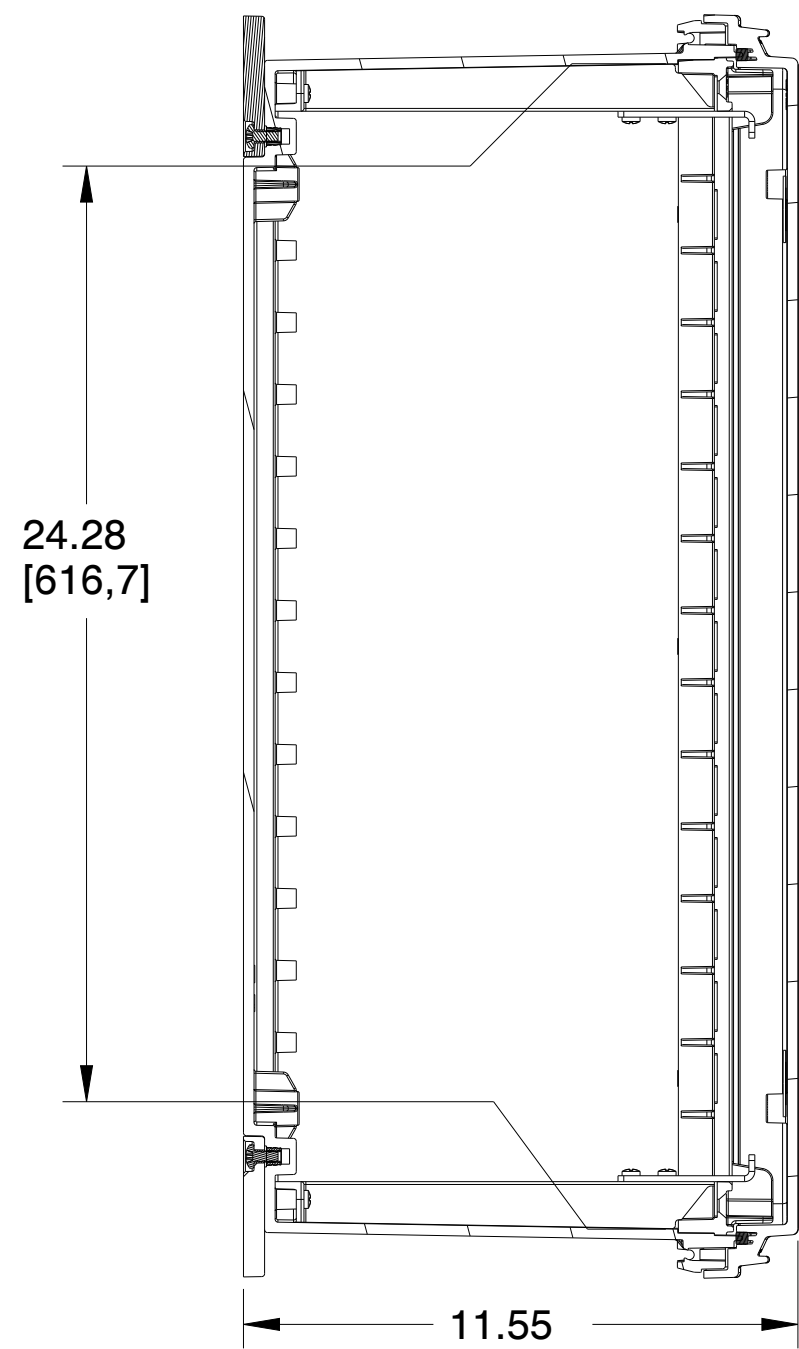
C

B

B

A

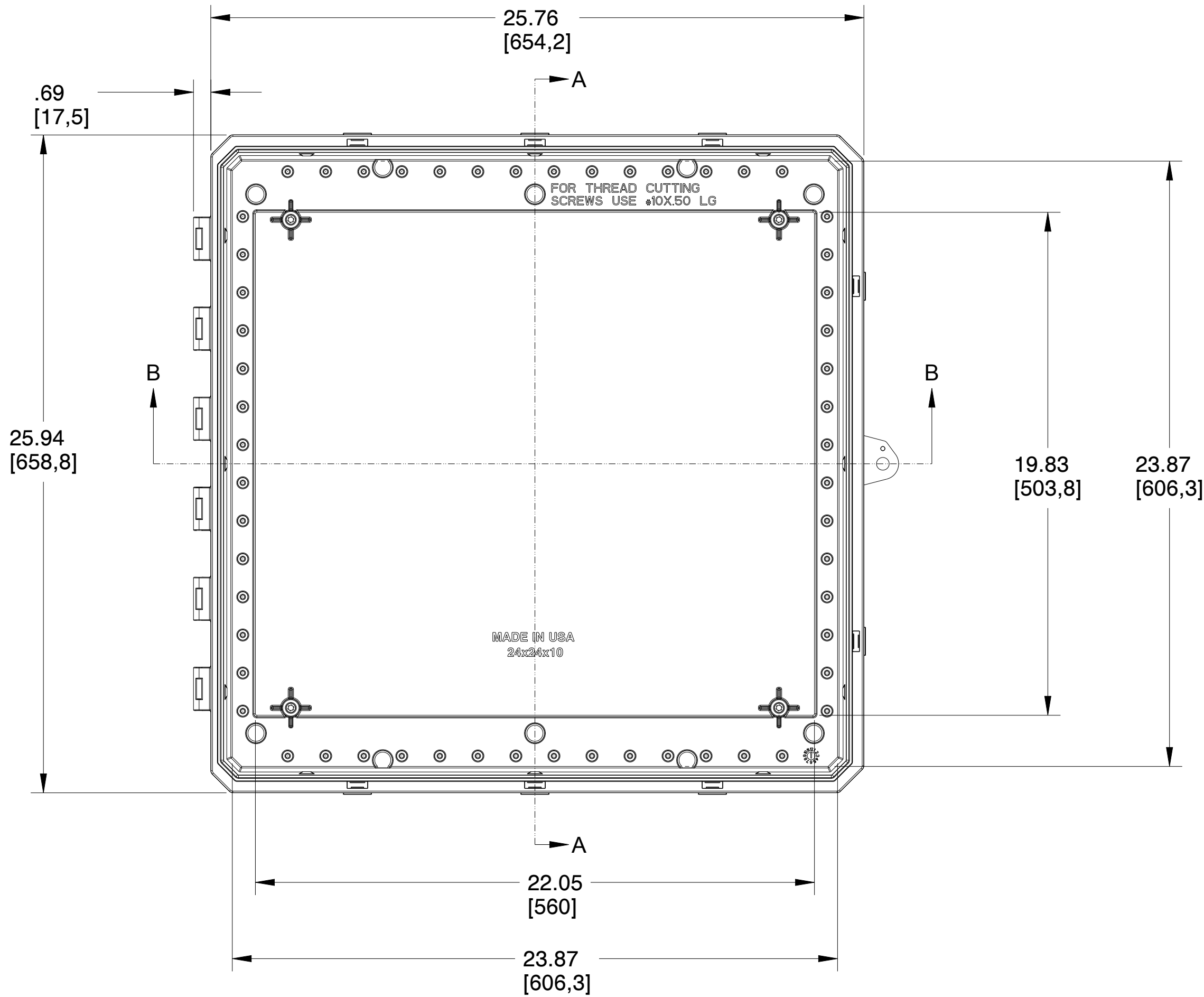
A



24.28  
[616,7]

11.55  
[293,4]

SECTION A-A



25.76  
[654,2]

.69  
[17,5]

25.94  
[658,8]

19.83  
[503,8]

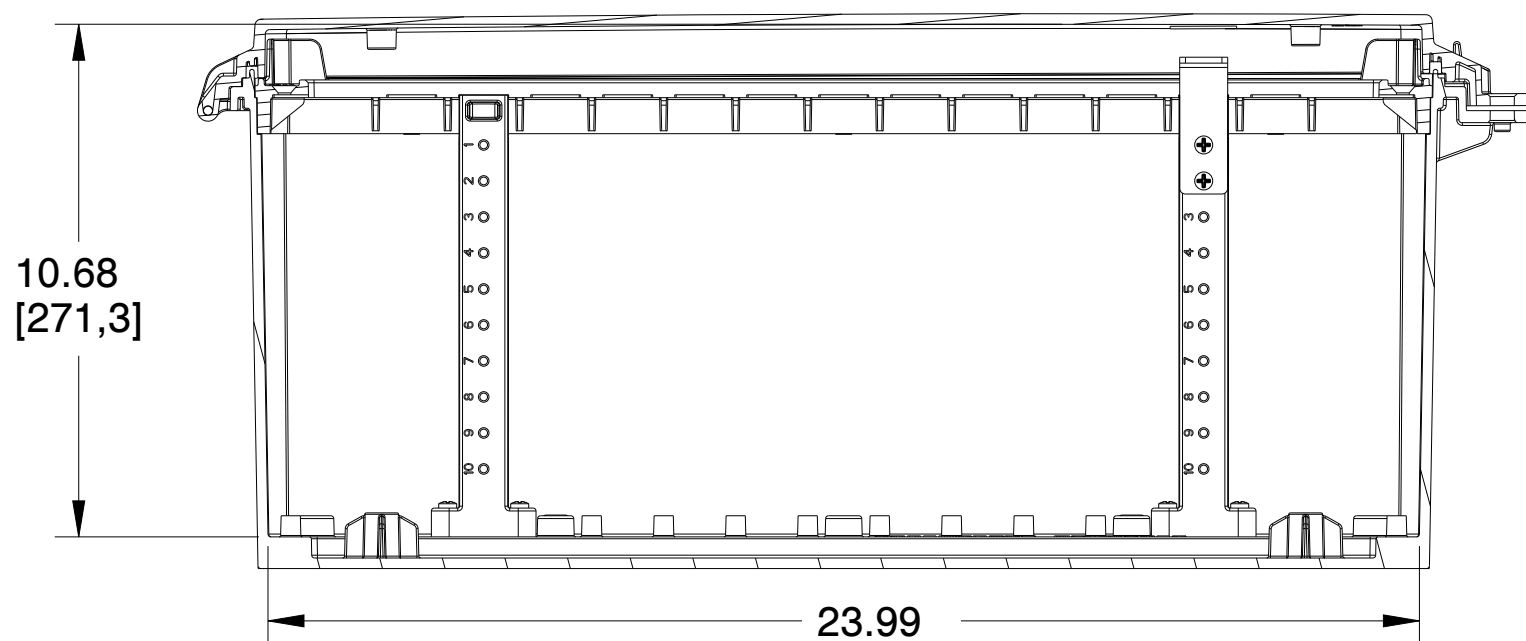
23.87  
[606,3]

MADE IN USA  
24x24x10

22.05  
[560]

23.87  
[606,3]

FOR THREAD CUTTING  
SCREWS USE #10X.50 LG



10.68  
[271,3]

23.99  
[609,3]

SECTION B-B

		MUM INDUSTRIES 8989 TYLER BLVD MENTOR, OHIO, U.S.A. (440) 269-8155 FAX (440) 269-8166	
SCALE	SHEET	DRAWN BY	
0.250	2 of 2	T.PAUL	
TITLE			
GEN-24X24X10-QUARTER-TURN-LATCH			
DATE	DRAWING NUMBER	REV	
08.03.2021	G242410QTL	A	

UNLESS OTHERWISE SPECIFIED:  
DIMENSIONS ARE IN INCHES (mm)  
AND ARE NOMINAL ONLY.

PROPRIETARY AND CONFIDENTIAL:  
THE INFORMATION CONTAINED IN THIS  
DRAWING IS THE SOLE PROPERTY OF  
INTEGRA ENCLOSURES. ANY  
REPRODUCTION IN PART OR AS A  
WHOLE WITHOUT THE WRITTEN  
PERMISSION OF INTEGRA  
ENCLOSURES IS PROHIBITED.

4

3

2

1