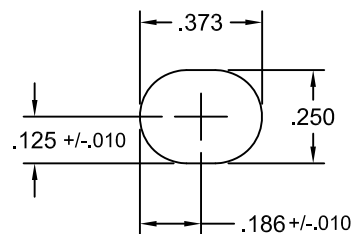
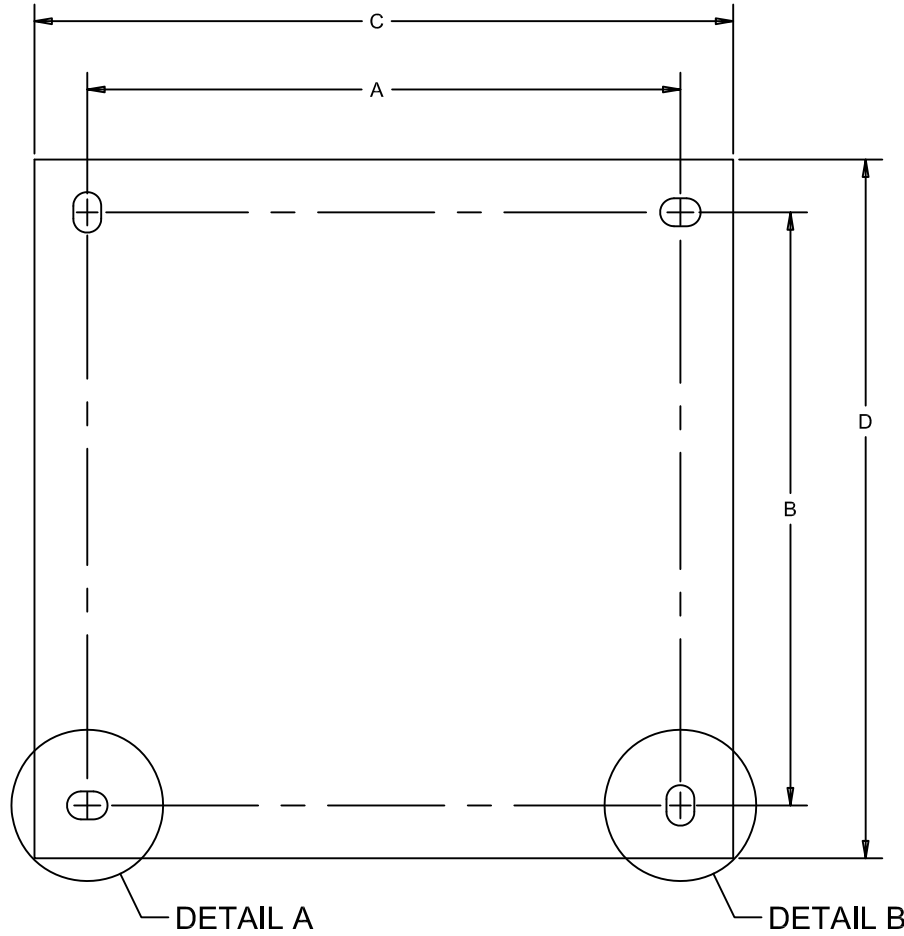
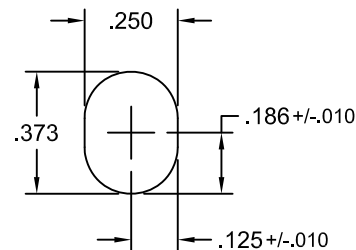


PART NO.	SIZE	A	B	C	D	E
9912581-67-10	6X6	4.25	4.25	4.88	4.88	0.06
9912585-67-10	8X6	4.25	6.25	4.88	6.75	0.06
9912583-67-10	8X8	6.25	6.25	6.75	6.88	0.06
9912582-67-10	10X8	6.25	8.25	6.88	8.75	0.06
9912593-67-10	10X8X2	5.46	7.92	6.80	8.75	0.06
9912584-67-10	12X10	8.24	10.24	8.88	10.75	0.06
9912588-67-10	14X12	10.25	12.25	10.88	12.75	0.08
9912589-67-10	16X14	12.25	14.25	12.88	14.75	0.08
9912590-67-10	18X16	14.25	16.25	14.88	16.75	0.08



DETAIL A (E)  
2 PLACES  
SCALE=NONE



DETAIL B (E)  
2 PLACES  
SCALE=NONE

- NOTES:  
 1. MATERIAL: TYPE 3003 ALUMINUM  
 2. FINISH: MILL FINISH FOR ALL PANELS  
 3. ALL PANELS TO BE SUPPLIED WITH PROTECTIVE PVC FILM ON ONE SIDE
- DIMENSIONS IN INCHES (UNLESS SPECIFIED)

REV	DESCRIPTION	BY	DATE	ECN NO.	DEFAULT TOLERANCES UNLESS SPECIFIED	SIZE	SCALE	SHEET	DRAWN BY
E	REVISED THRU HOLE TO SLOT		12-10-13	2013-230	.XX ±.01" .XXX ±.005"	C	N/A	1 of 1	W.TIDWELL
D	ADDED COLUMN TO TABLE FOR PANEL THK.		11-5-13	2013-254					
	REV NOTE 1 & DELETED NOTE 2								
PROPRIETARY AND CONFIDENTIAL: THE INFORMATION CONTAINED IN THIS/ THESE DRAWING(S) IS/ ARE THE SOLE PROPERTY OF MUM INDUSTRIES, INC. ANY REPRODUCTION IN PART OR AS A WHOLE WITHOUT THE WRITTEN PERMISSION OF MUM INDUSTRIES, INC. IS PROHIBITED.					FRACTIONAL	TITLE			
					±1/16" (0.062")	ALUMINUM BACK PANEL			
					ANGULAR	DATE	DRAWING NUMBER	REV	
					± 1°	09.28.11	99125XX-67-10	E	

MUM INDUSTRIES, INC.  
 7750 TYLER BOULEVARD  
 MENTOR, OHIO 44060  
 P: 440-288-8155  
 F: 440-288-8199  
 E: INFO@MUMINDUSTRIES.COM