

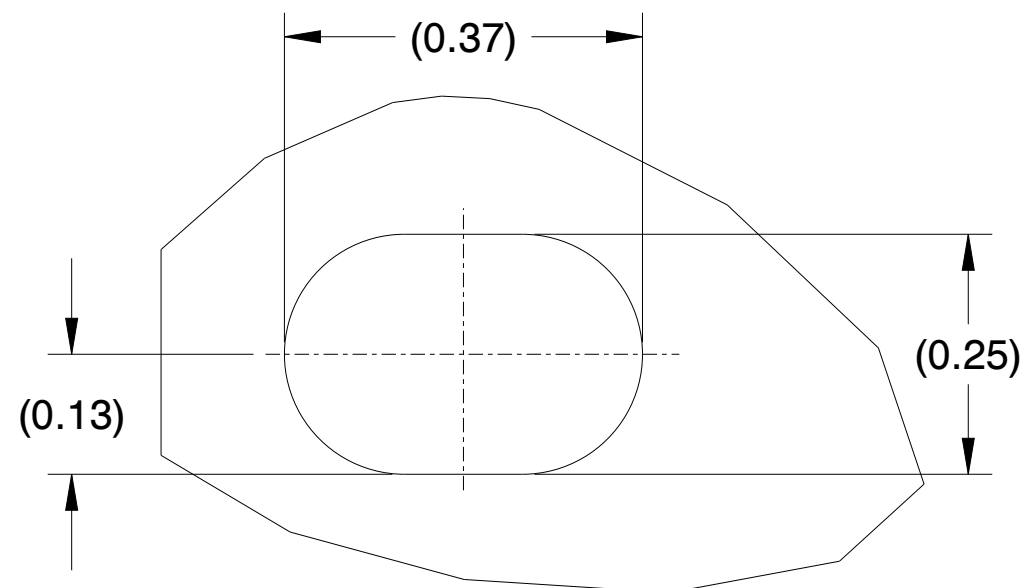
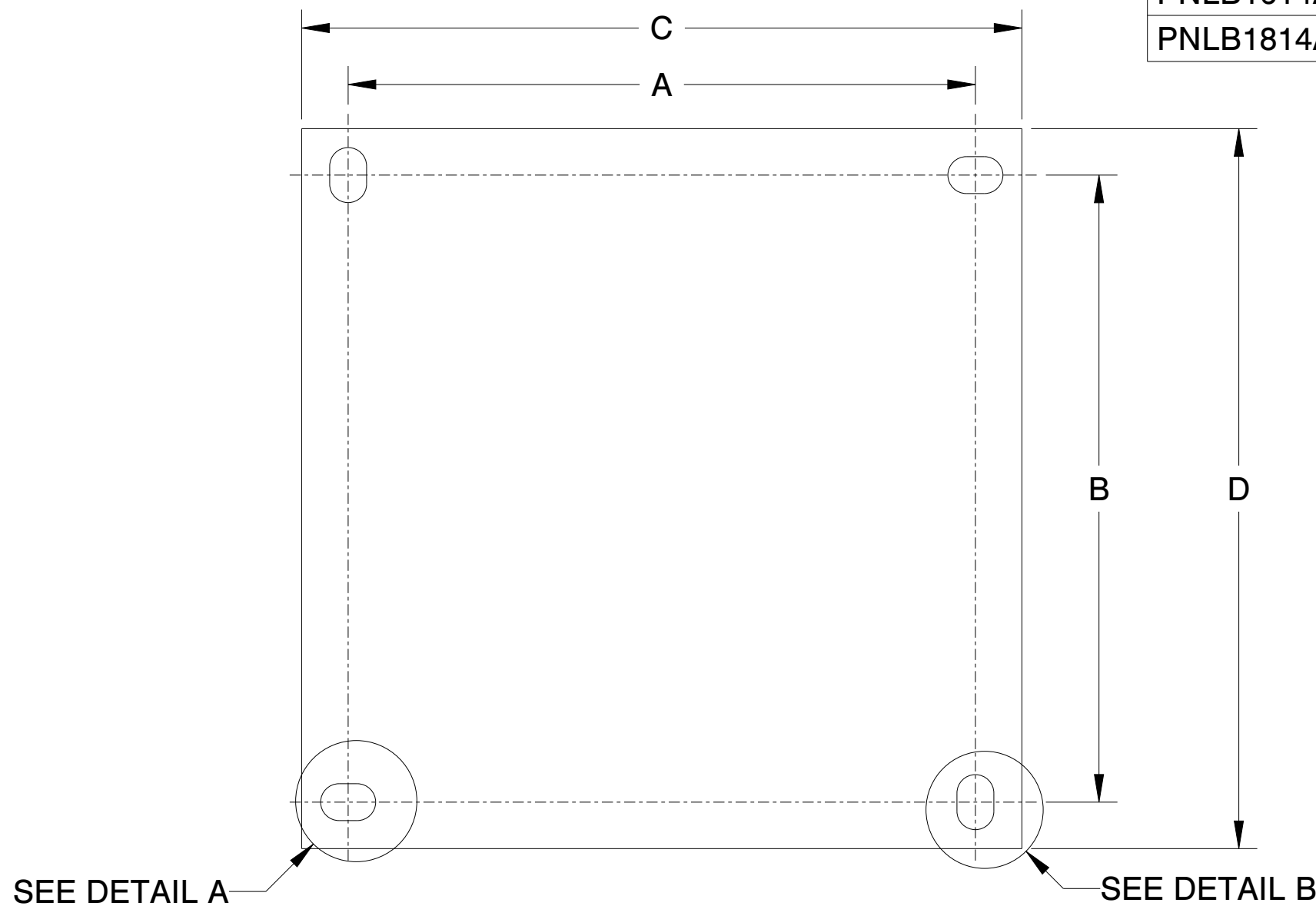
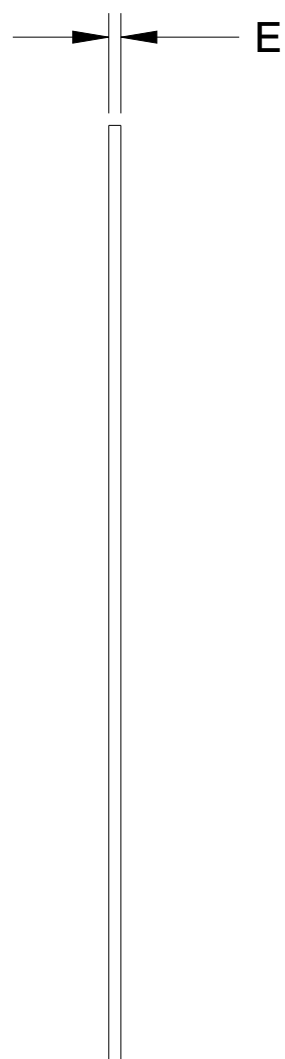
4

3

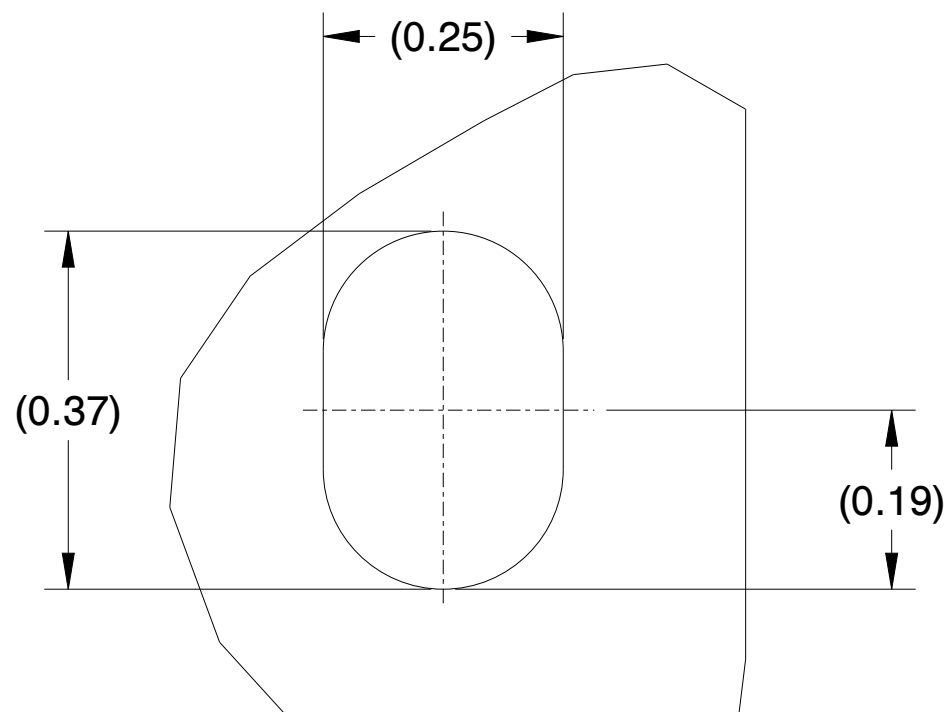
2

1

PART NO	SIZE	A	B	C	D	E
PNLB66AL-104	6X6	4.25	4.25	4.88	4.88	0.06
PNLB66AL-115	6X6	4.25	4.25	4.88	4.88	0.08
PNLB86AL-104	8X6	4.25	6.25	4.88	6.75	0.06
PNLB86AL-115	8X6	4.25	6.25	4.88	6.75	0.08
PNLB88AL-104	8X8	6.25	6.25	6.75	6.88	0.06
PNLB88AL-115	8X8	6.25	6.25	6.75	6.88	0.08
PNLB108AL-104	10X8	6.25	8.25	6.88	8.75	0.06
PNLB108AL-115	10X8	6.25	8.25	6.88	8.75	0.08
PNLB1082AL-104	10X8X2	5.46	7.92	6.80	8.75	0.06
PNLB1082AL-115	10X8X2	5.46	7.92	6.80	8.75	0.08
PNLB1210AL-104	12X10	8.24	10.24	8.88	10.75	0.06
PNLB1210AL-115	12X10	8.24	10.24	8.88	10.75	0.08
PNLB1412AL-115	14X12	10.25	12.25	10.88	12.75	0.08
PNLB1614AL-115	16X10	12.25	14.25	12.88	14.75	0.08
PNLB1814AL-115	18X10	14.25	16.25	14.88	16.75	0.08



DETAIL A
SCALE 5.000



DETAIL B
SCALE 5.000

		MUM INDUSTRIES 8989 TYLER BLVD MENTOR, OHIO, U.S.A. (440) 269-8155 FAX (440) 269-8166	
SCALE 1.000	SHEET 1 of 1	DRAWN BY T.PAUL	
TITLE ALUMINUM BACK PANEL			
DATE 10.06.2021	DRAWING NUMBER PNLBXXXXAL-ZZZ		REV A

4

3

2

1