

## DS-2TP31B-3AUF<sup>1</sup>

### Handheld Thermography Thermal Camera



Hikvision's DS-2TP31B-3AUF Handheld Thermography Thermal camera is specially designed to detect elevated skin-surface temperature with high accuracy in real time. It is equipped with a 160×120 resolution thermal detector. It can be widely used for preliminary temperature screening in office buildings, factories, stations, airports, and other public places.

#### Available Model

DS-2TP31B-3AUF

- 160 × 120 Resolution
- Thermographic Accuracy:  $\pm 0.9^{\circ}\text{F}$  ( $\pm 0.5^{\circ}\text{C}$ )
- 320 × 240 Resolution, 2.4" LCD Display
- Built-In Rechargeable Li-Ion Battery
- Up to 8 Hours Continuous Operation
- Displays Real-Time Temperature on Screen
- 8 GB MicroSD Memory Card (128 GB Maximum) To Store Snapshots/Data
- Supports 4 Palettes

<sup>1</sup> **U.S. Disclaimer:** Hikvision USA Inc. products depicted herein are not FDA approved medical devices and are not intended for use in the diagnosis of disease or other conditions, or in the cure, mitigation, treatment, or prevention of disease. When configured correctly, the Hikvision products discussed herein can identify elevated human skin-surface temperature relative to a sample population.

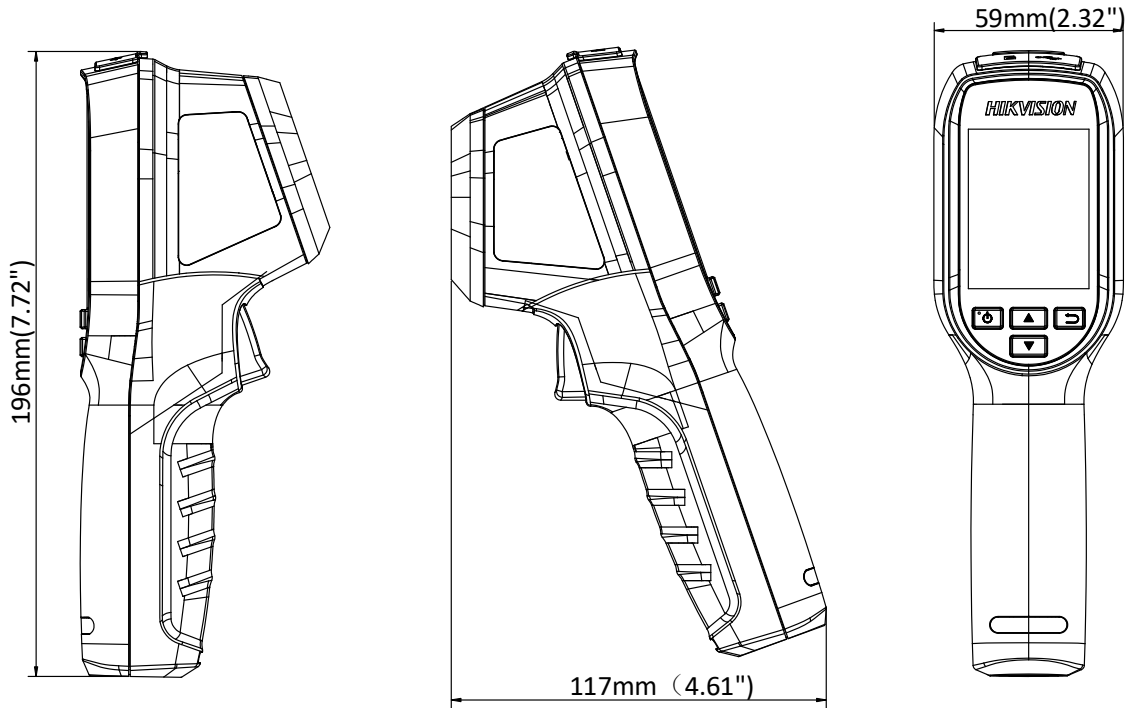
**Canada Disclaimer:** Hikvision's Thermographic Cameras are designed for immediate detection and preliminary screening of elevated skin-surface temperature in high-traffic areas. When measuring core body temperature, please verify through the use of clinical measurement devices and/or by consulting a medical professional. Hikvision's Thermographic Cameras must be used in accordance with local laws and regulations.

# Specifications

DS-2TP31B-3AUF		
Thermal Module	Image Sensor	Uncooled focal plane arrays
	Maximum Resolution	160 × 120
	Pixel Pitch	17 μm
	Response Waveband	8 μm to 14 μm
	NETD	<40 mK (@ 25° C, F#=1.0)
	Field of View	37.2° × 50°
	Focal Length	3.1 mm
	I FOV (mrad)	5.48 mrad
	Minimum Focus Length	≥5.9" (≥150 mm)
	Aperture	f/1.1
Image Display	Monitor	320 × 240 resolution 2.4" LCD display
	Palettes	Black hot, white hot, rainbow, ironbow
Thermography	Rules	3 thermometry points: maximum temperature, minimum temperature, center temperature
	Recommended Subject Distance	3' 4" (1 m)
	Thermographic Range	86° to 113° F (30° to 45° C)
	Thermographic Accuracy	±0.9° F (±0.5° C)
Battery	Battery Type	Rechargeable lithium battery
	Battery Operating Time	8 hours continuous operation
General	Storage	MicroSD memory card slot (includes 8 GB, supports up to 128 GB storage)
	Photo	Thermal image
	Language	English
	Power	3.7 VDC/0.4 A
	Power Consumption	Less than 1.2 W
	Hardware Interface	Micro USB
	Working Temperature	(10° to 35° C)
	Protection Level	IP54
	Drop Test Height	6.56 ft (2 m)
	Dimension	7.7" × 4.6" × 2.3" (196 mm × 117 mm × 59 mm)
	Weight	Approximately <0.77 lb (<350 g)
	Included Accessories	Power adaptor, USB cable, 8 GB microSD memory card, user manual, disc, wrist strap

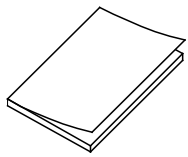
## Dimensions

---

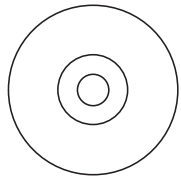


## Box Contents

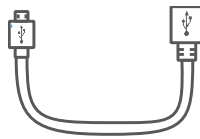
---



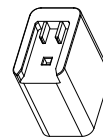
User Manual x 1



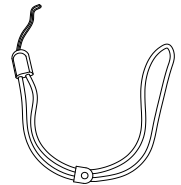
Disc



USB Cable x 1



Power Adapter x 1



Wrist Strap x 1