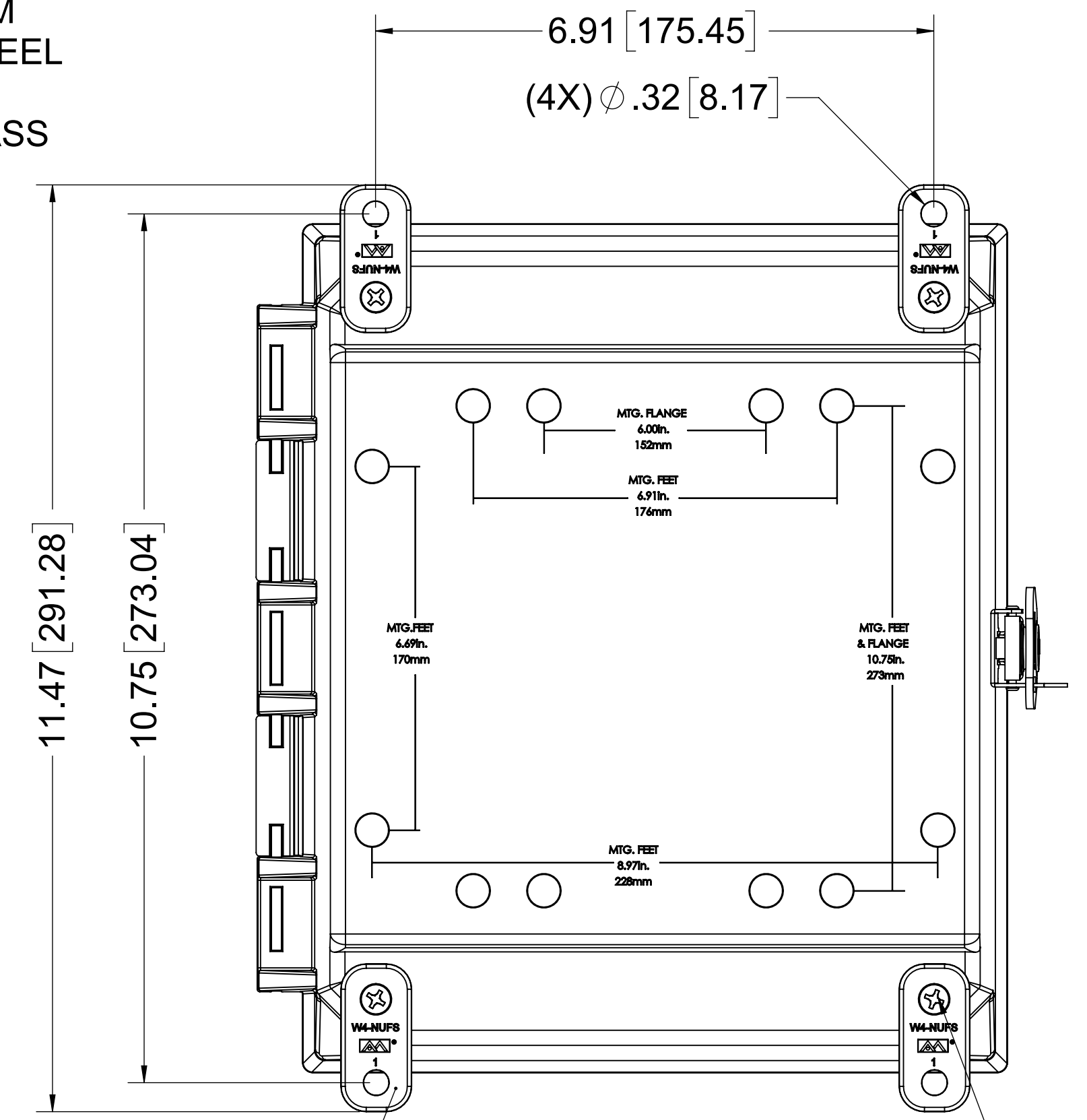
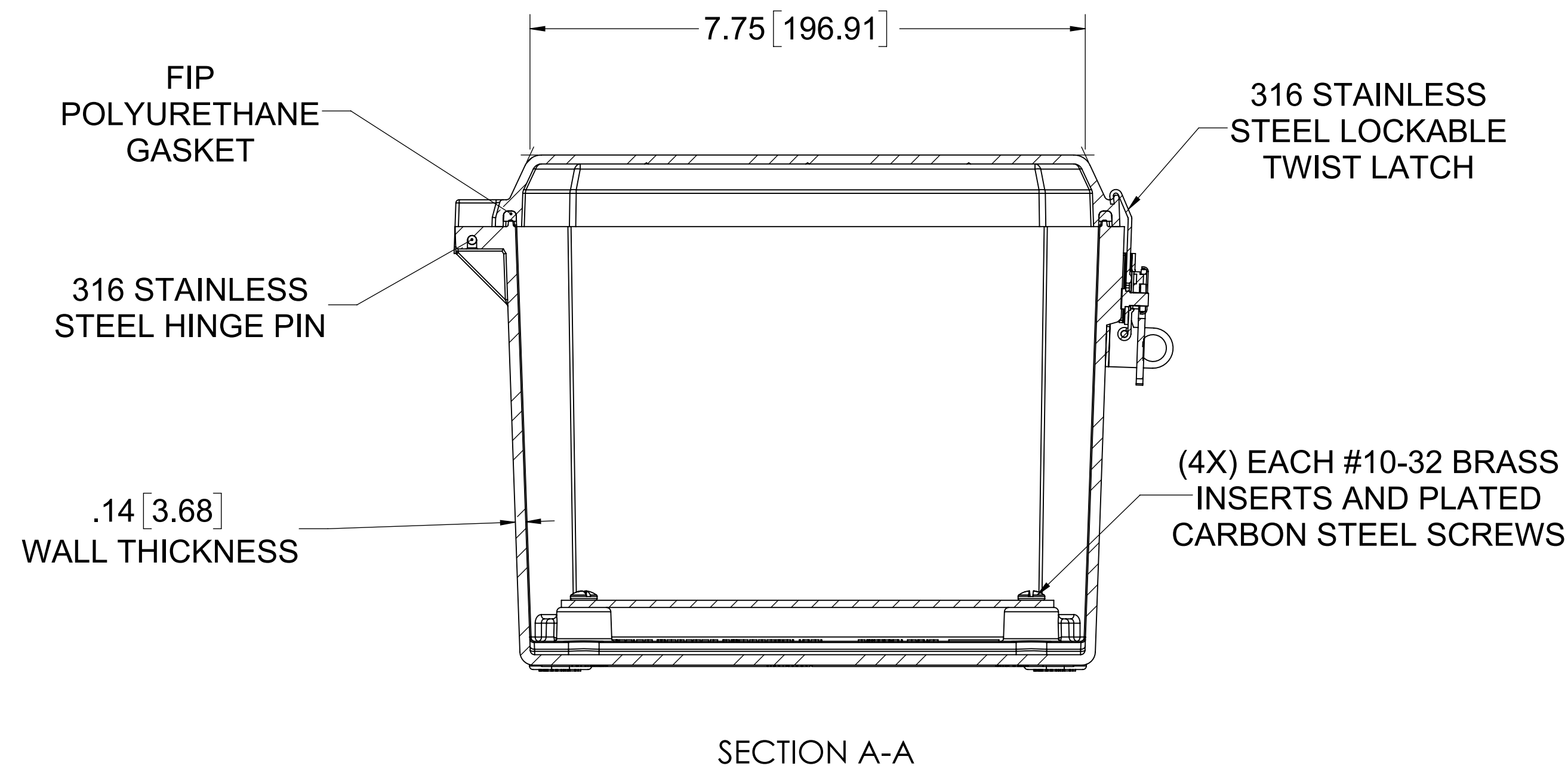


OPTIONAL BACK PANEL  
 0.100 [2.54] TH'K - ALUMINUM  
 0.075 [1.91] TH'K - WHITE STEEL  
 & GALVANNEALED  
 0.125 [3.18] TH'K - FIBERGLASS



(4X) POLYCARBONATE FEET

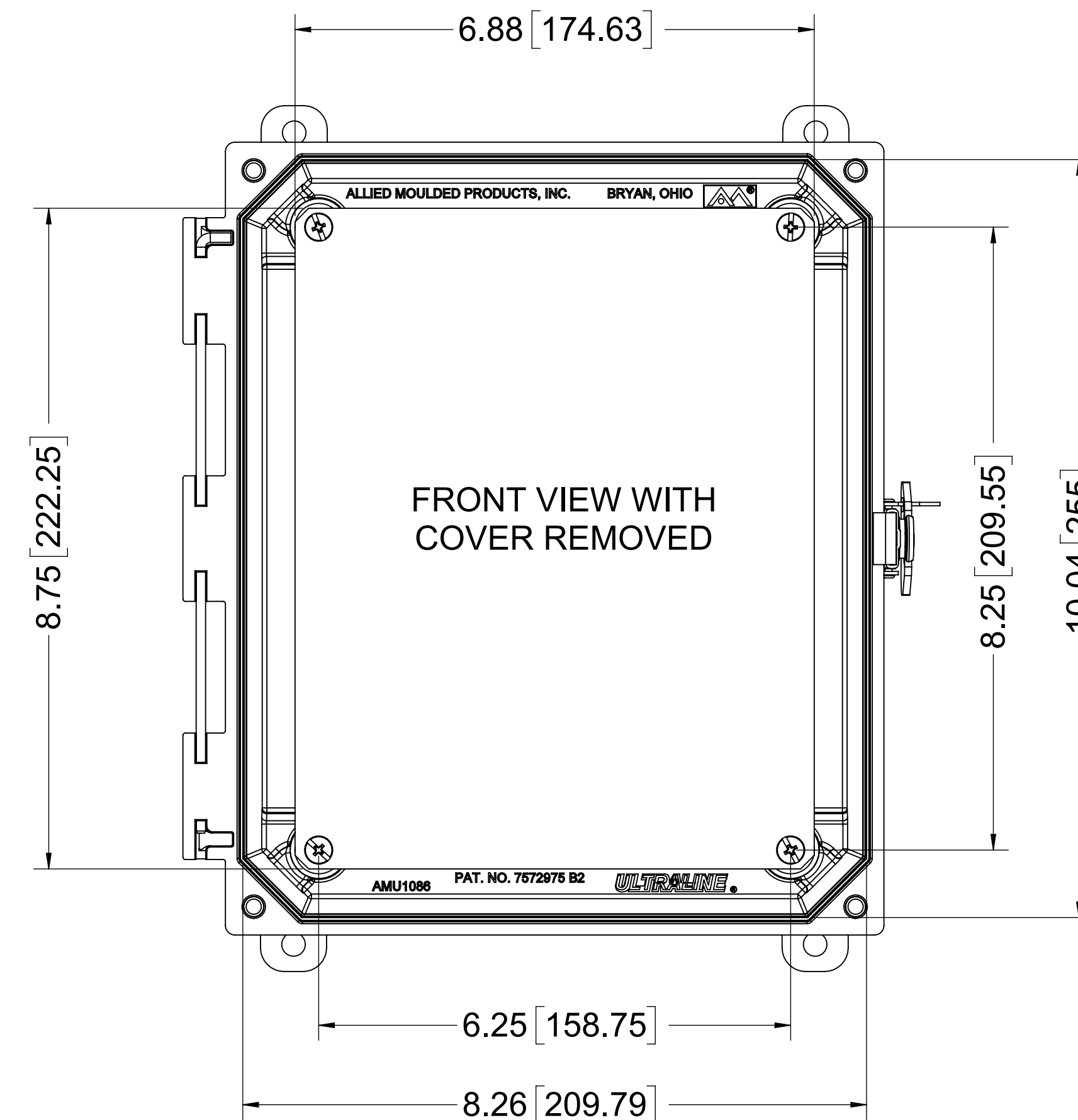
(4X) EACH #10-32 BRASS INSERTS AND 316 STAINLESS STEEL FEET SCREWS



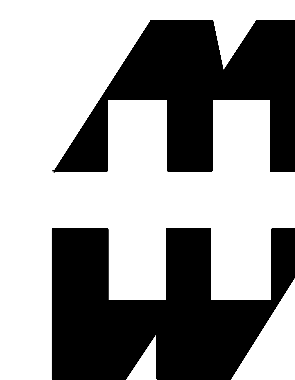
SECTION A-A

MATERIAL:

BOX - COMPRESSION MOLDED FIBERGLASS REINFORCED POLYESTER  
 COVER - COMPRESSION MOLDED FIBERGLASS REINFORCED POLYESTER  
 CLEAR COVER AND WINDOW - INJECTED POLYCARBONATE



NOTE:  
 1. DATA SUBJECT TO CHANGE WITHOUT NOTICE



PART No. PJU1086T.WEB

for more information visit  
[www.hammfg.com](http://www.hammfg.com)  
 Data subject to change without notice

Drawing Not to Scale