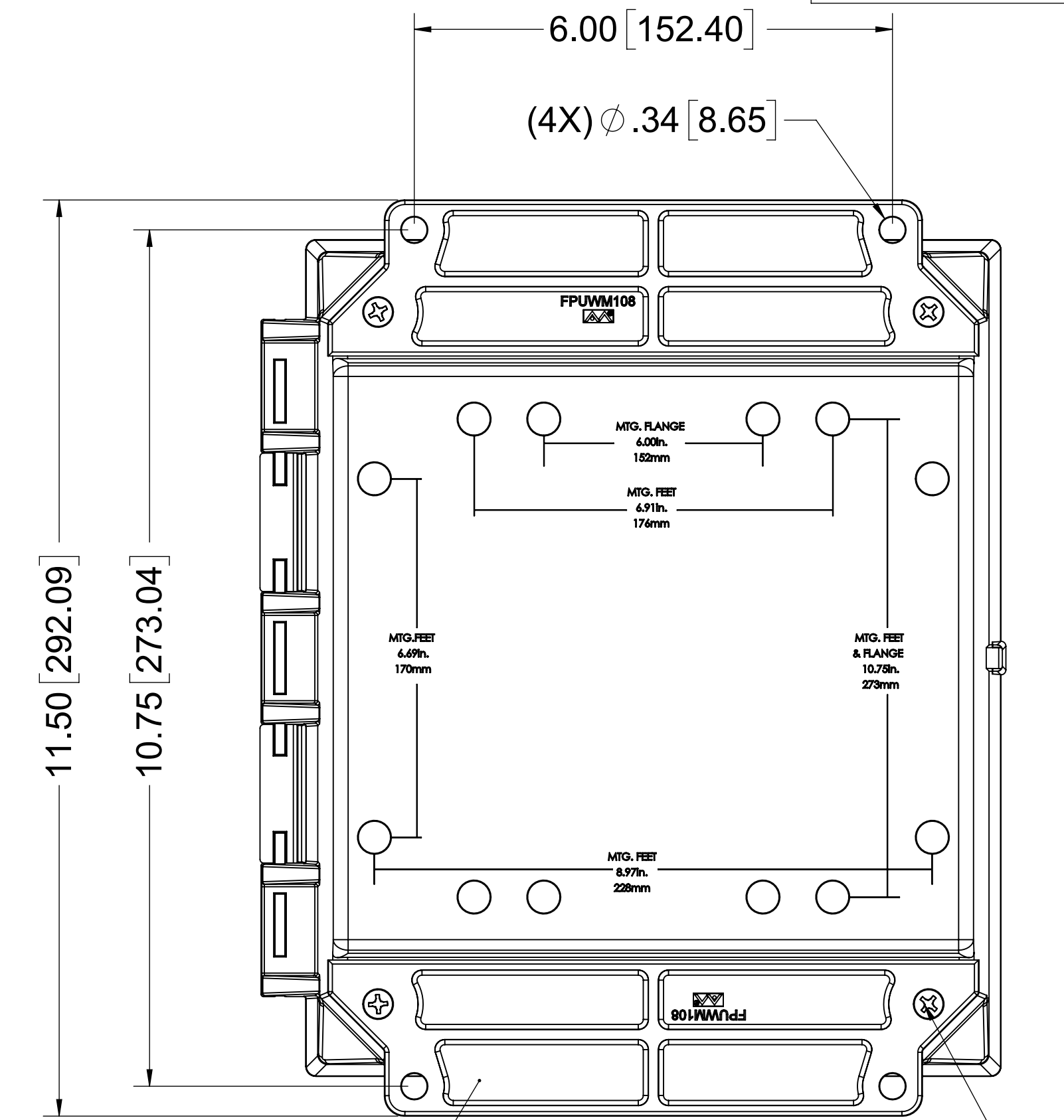
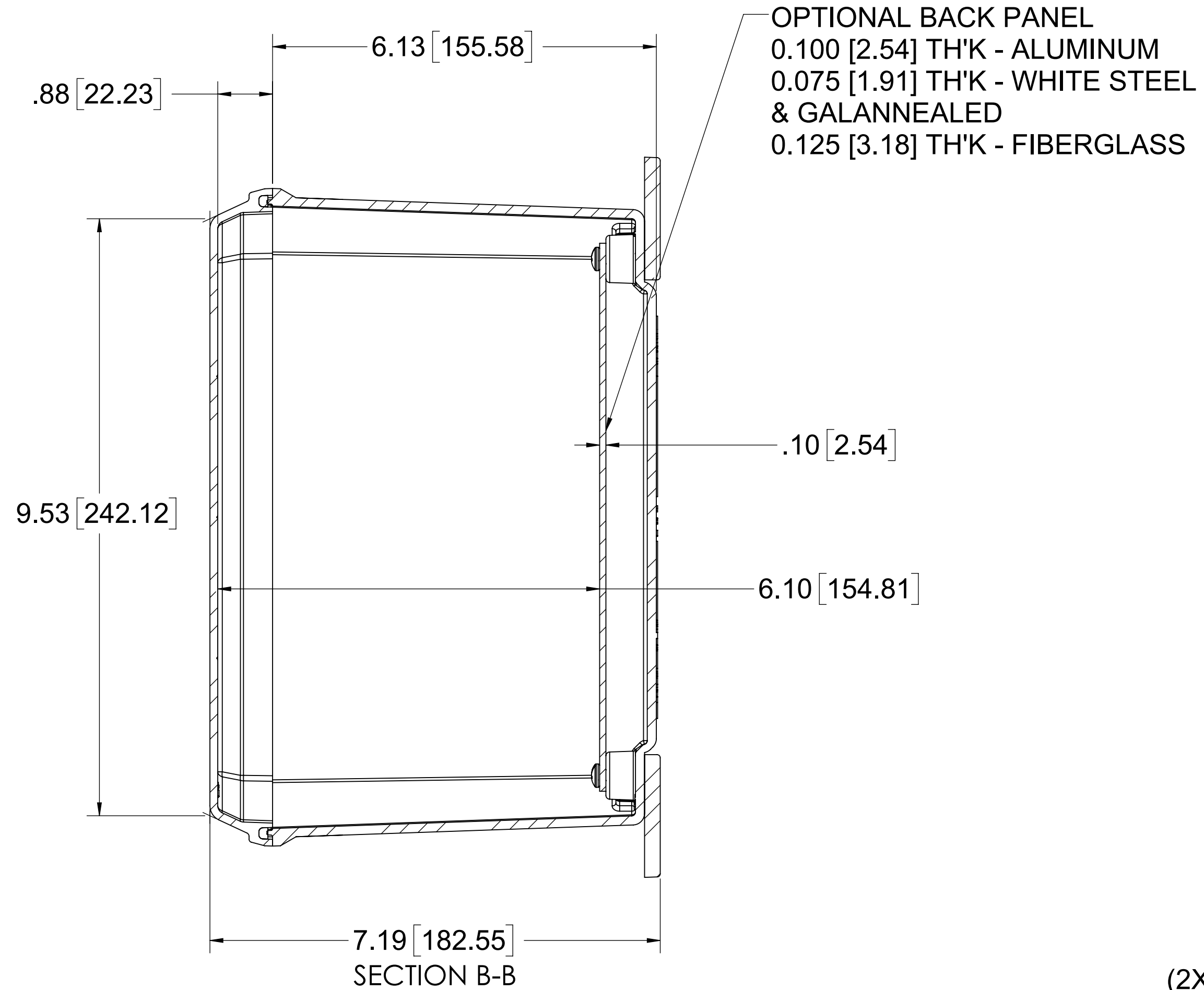
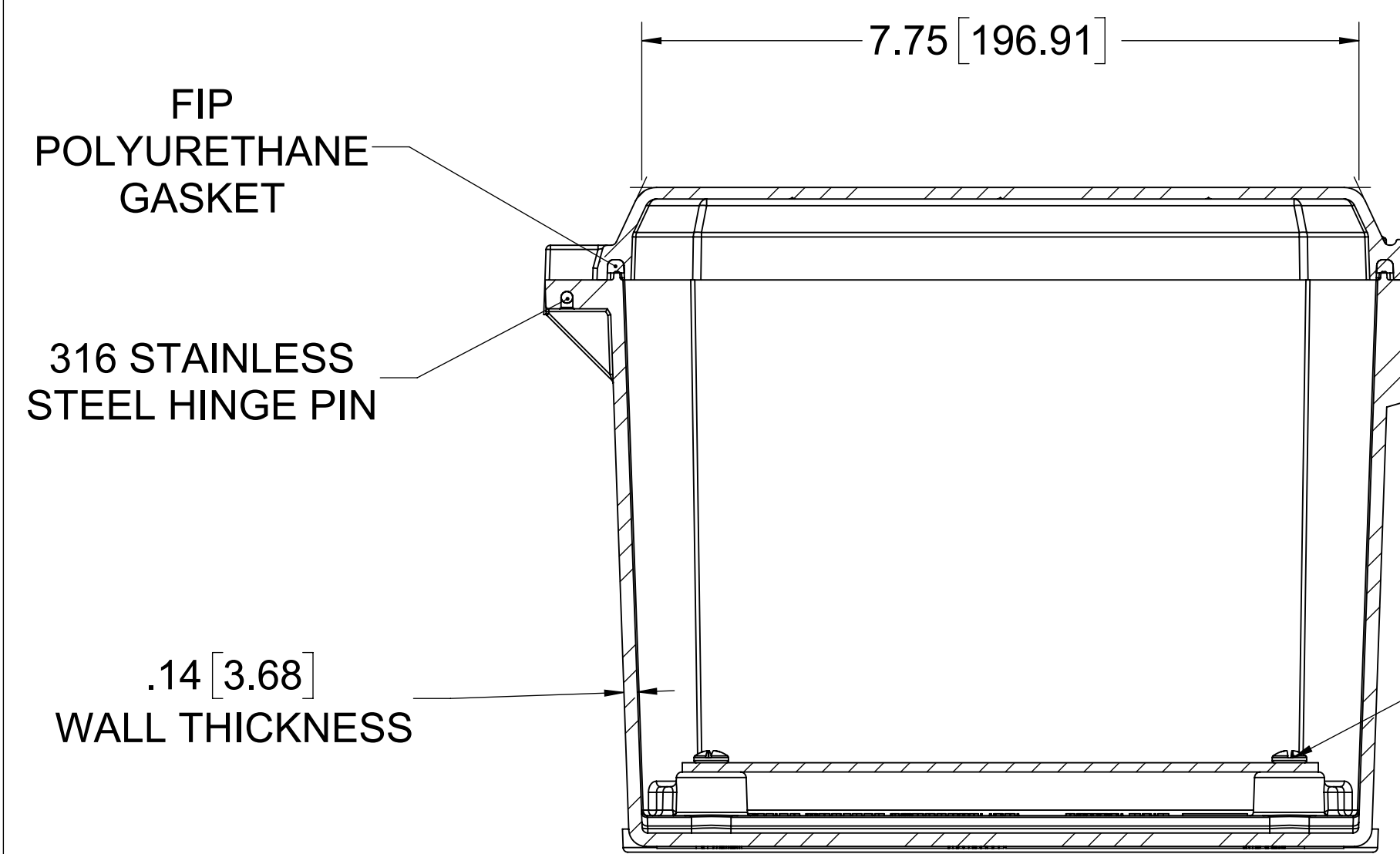


(2X) EACH #10-32 BRASS INSERTS AND 316 STAINLESS STEEL CAPTIVE COVER SCREW

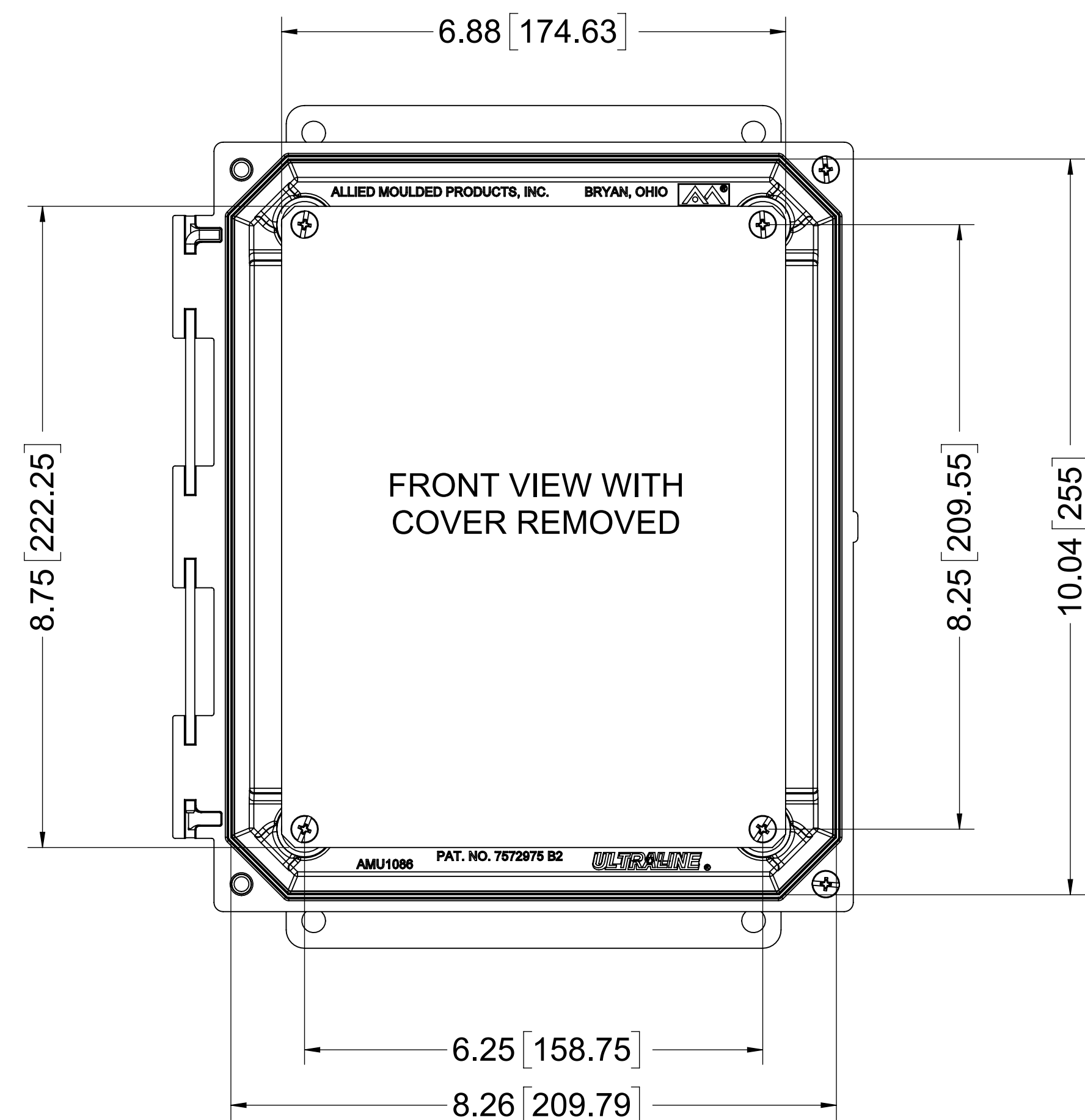


(2X) POLYCARBONATE FLANGES (GLUED)

(4X) EACH #10-32 BRASS INSERTS AND 316 STAINLESS STEEL FLANGE SCREWS

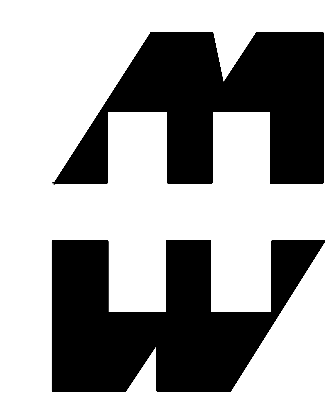


SECTION A-A



MATERIAL:
 BOX - COMPRESSIONMOLDED FIBERGLASS REINFORCED POLYESTER
 COVER - COMPRESSIONMOLDED FIBERGLASS REINFORCED POLYESTER
 CLEAR COVER AND WINDOW - INJECTED POLYCARBONATE

NOTE:
 1. DATA SUBJECT TO CHANGE WITHOUT NOTICE



PART No. PJU1086HF.WEB

for more information visit www.hammfg.com
 Data subject to change without notice
 Drawing Not to Scale