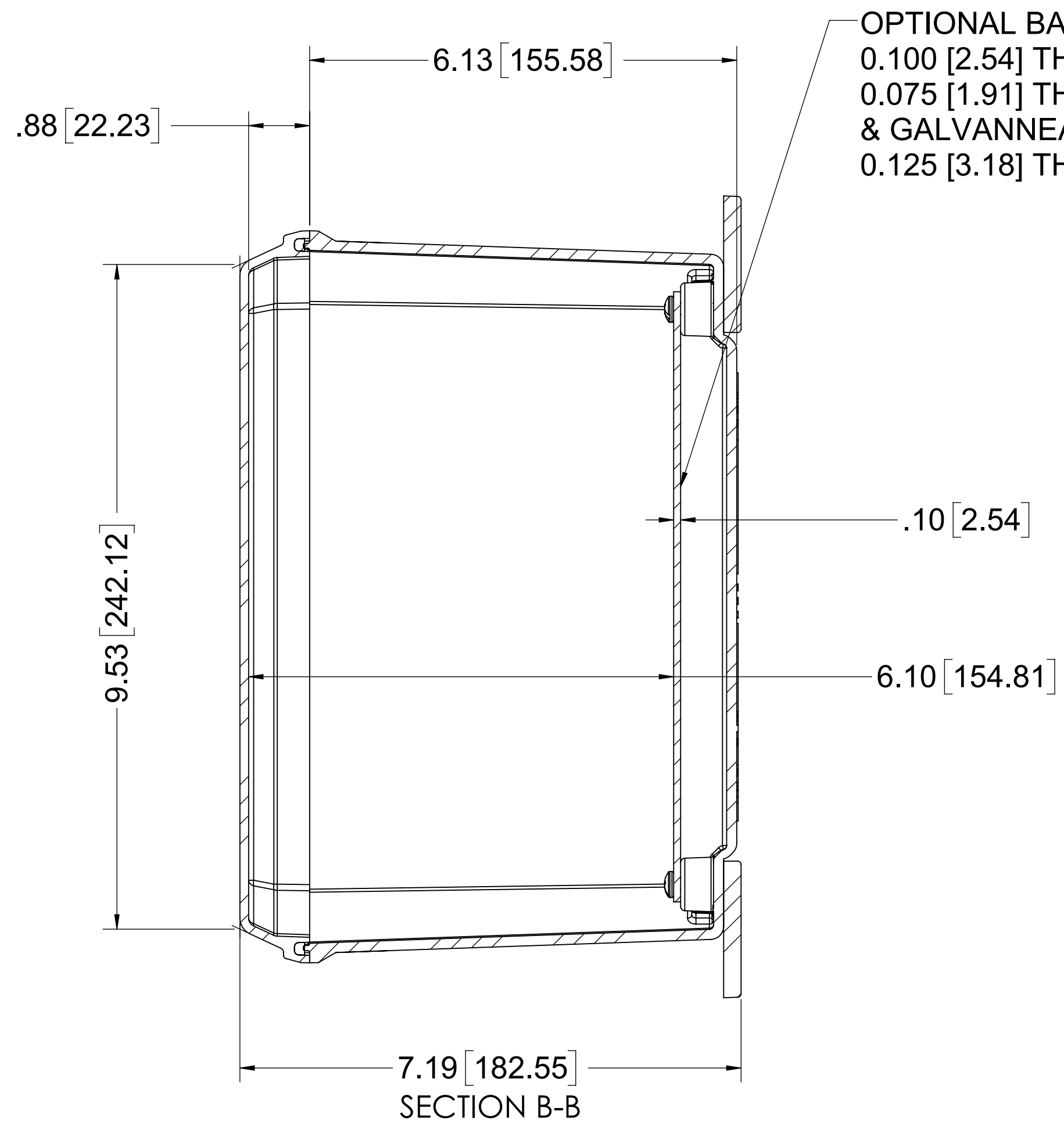
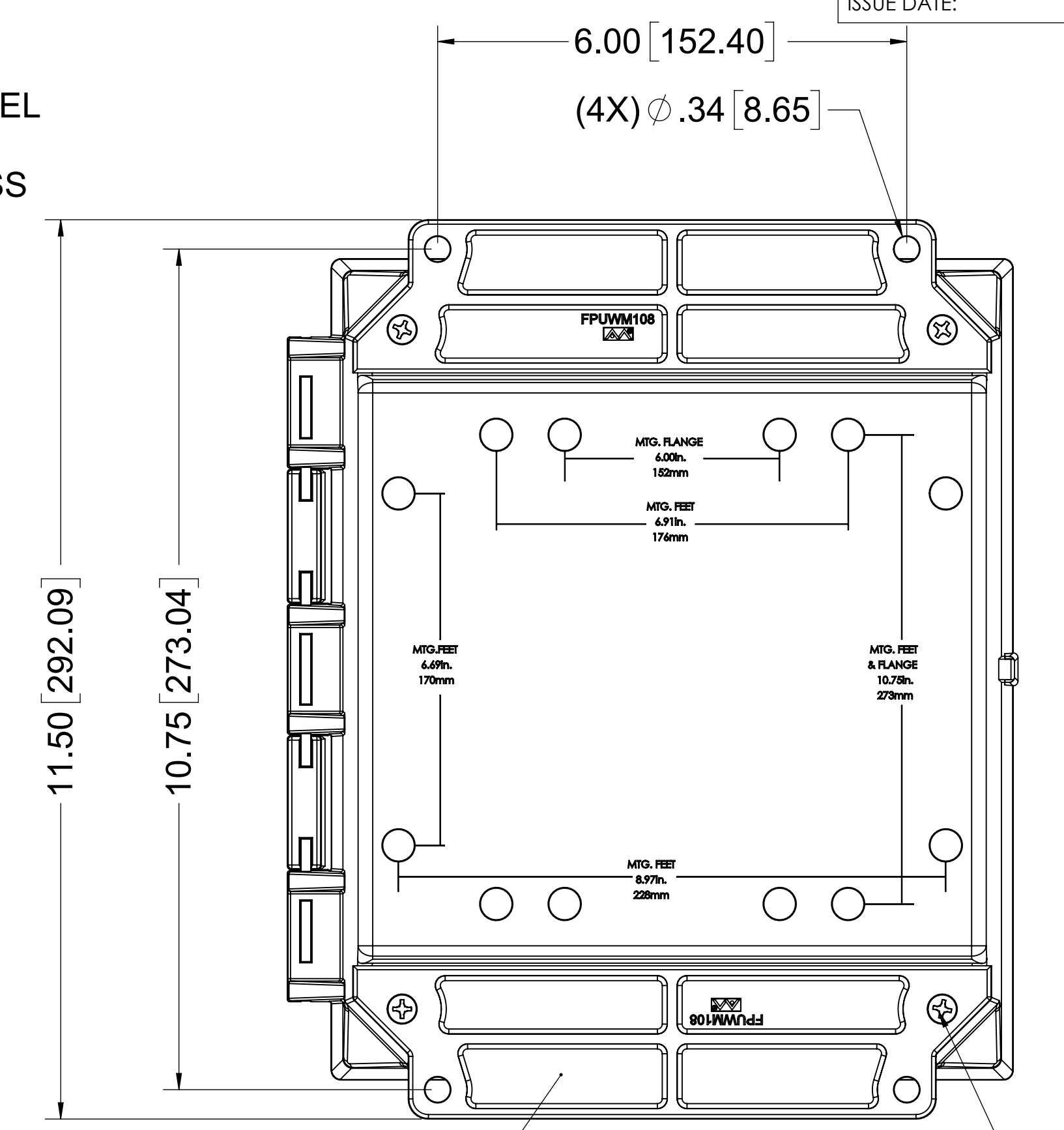


(2X) EACH #10-32 BRASS INSERTS AND 316 STAINLESS STEEL CAPTIVE COVER SCREWS

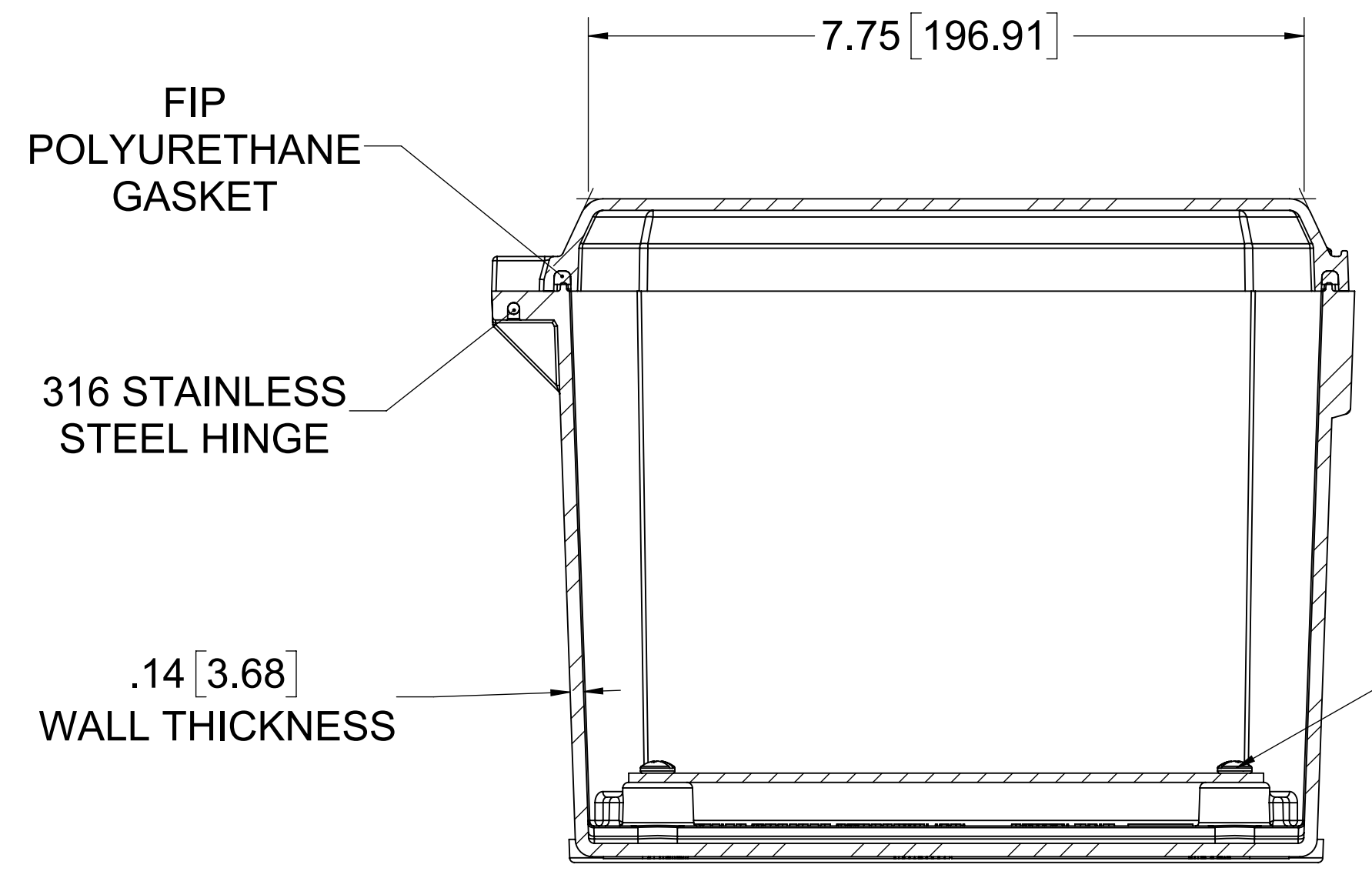


OPTIONAL BACK PANEL  
 0.100 [2.54] TH'K - ALUMINUM  
 0.075 [1.91] TH'K - WHITE STEEL & GALVANNEALED  
 0.125 [3.18] TH'K - FIBERGLASS



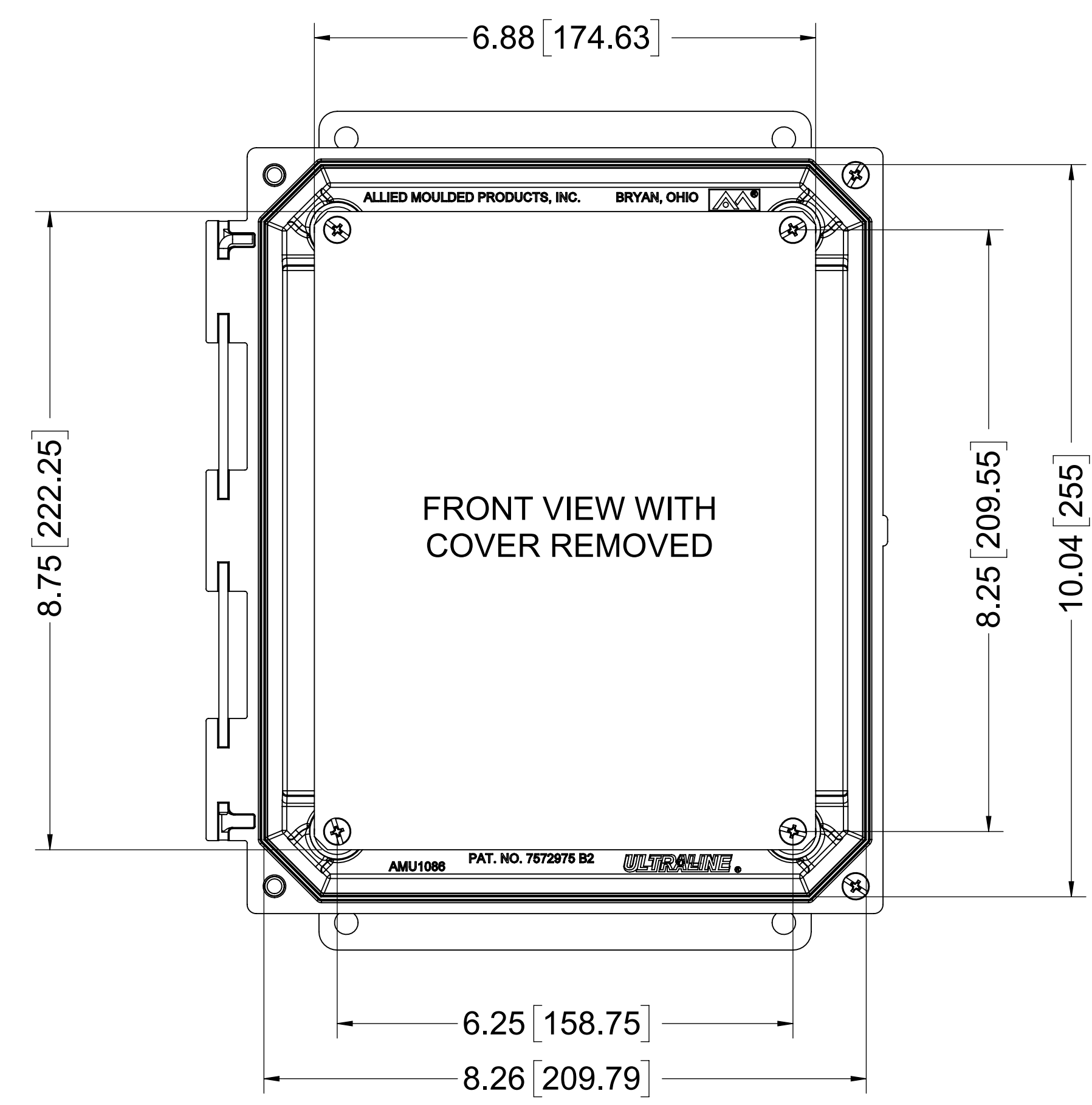
(2X) POLYCARBONATE FLANGES (GLUED)

(4X) EACH #10-32 BRASS INSERTS AND 316 STAINLESS STEEL FLANGE SCREWS



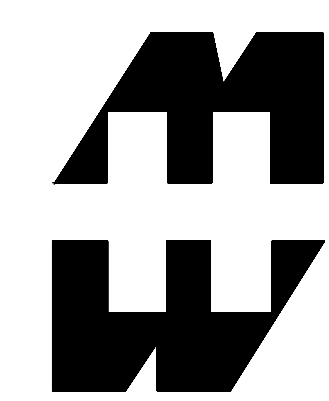
SECTION A-A

(4X) EACH #10-32 BRASS INSERT AND CARBON PLATED STEEL SCREWS



MATERIAL:  
 BOX - COMPRESSION MOLDED FIBERGLASS REINFORCED POLYESTER  
 COVER - COMPRESSION MOLDED FIBERGLASS REINFORCED POLYESTER  
 CLEAR COVER - INJECTED POLYCARBONATE

NOTE:  
 1. DATA SUBJECT TO CHANGE WITHOUT NOTICE



PART No.  
 PJU1086CCHF.WEB  
 for more information visit  
[www.hammfg.com](http://www.hammfg.com)  
 Data subject to change without notice  
 Drawing Not to Scale