



*Quality Products. Service Excellence.*

## Type 4X Polyester Junction Box w/ Raised Lid (Solid and Window) PJ Series

Continuous Hinge Door with Twist Latches



### Application

- Designed for use as instrument enclosures, electric, hydraulic or pneumatic control housings, electrical junction boxes or terminal wiring enclosures.
- Provides outstanding insulation and protection where equipment may be hosed down or be very wet.
- Ideal in applications with high temperatures or highly corrosive environments.

### Standards

- UL 508A Type 1, 2, 3, 4, 4X, 12 and 13
- CSA Type 1, 2, 3, 4, 4X, 12 and 13
- Complies with
  - NEMA Type 1, 2, 3, 4, 4X, 12, & 13
  - IEC 60529, IP66

### Construction

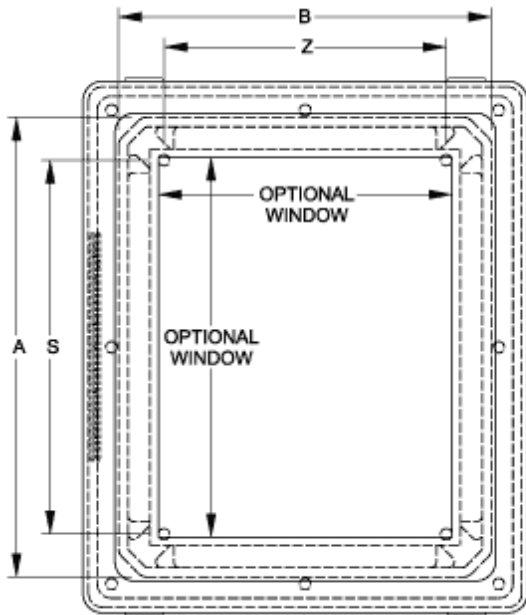
- Molded fiberglass polyester enclosure with matching cover is easily punched, cut, or drilled.
- Enhanced UV inhibitors protect against outdoor weathering.
- Threaded brass inserts are provided for optional inner panel or terminal kit mounting. Mounting hardware is included.
- Stainless steel draw type "twist latch" door fasteners.
- Door fasteners include a provision for padlocking.
- Enclosures are available with bonded polycarbonate viewing windows.
- Door is supported with a continuous stainless steel hinge.
- Captive oil resistant gasket provides a positive seal.
- Threaded brass inserts are provided for mounting feet to the rear of the enclosure.
- Stainless steel mounting brackets and hardware are provided for mounting to the rear of the enclosure.
- Operating temperatures between 130°C and -40°C (266°F to -40°F).
- Impact index of 6.78J (5 ft/lb).
- For corrosion resistance information, please refer to table in the Technical Information section.

### Finish

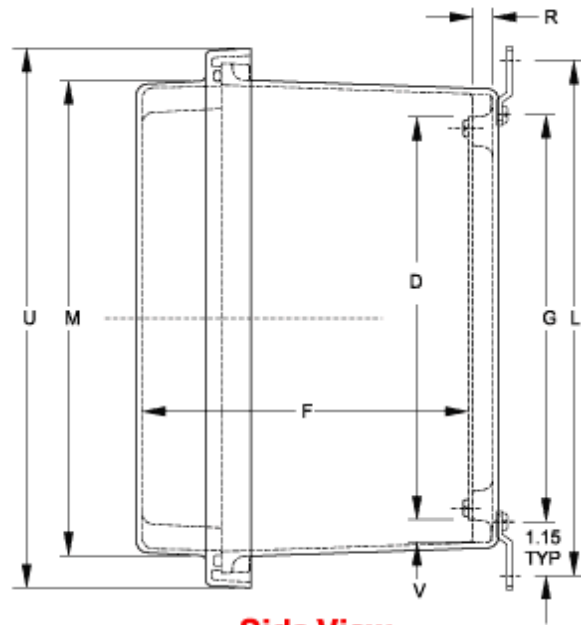
- Fiberglass polyester material has a gray finish.
- Optional inner panels are available in white powder coated finished steel or unfinished aluminum, or fiberglass.

### Accessories

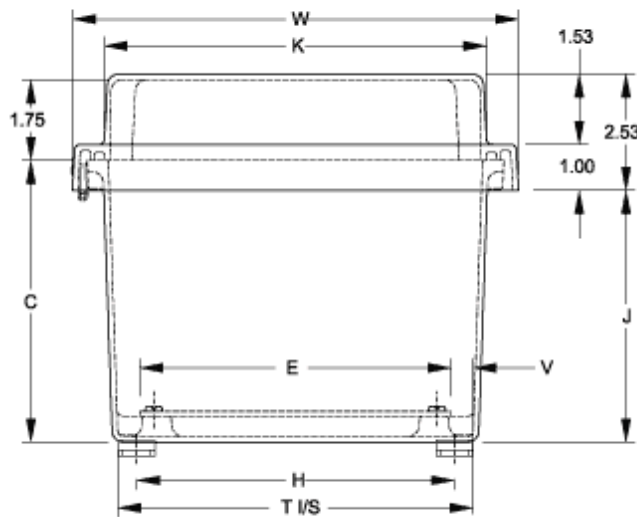
- Inner Panels
- Terminal Kit Assemblies
- Swing Panels



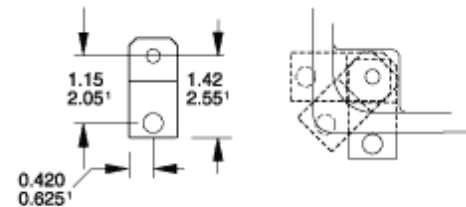
**Front View**



**Side View**



**End View**



**Optional Mounting Feet Locations**

**Thermal Index**  
130°C to -40°C (266°F to -40°F)  
**Impact Index**  
6.78J (5 ft/lb)

Solid Cover Part No.	Window Cover Part No.	Overall Dimensions			Panel Size					Center		
		A	B	C	D	E	F	G	H	J	S	Z
PJ664RT	PJ664RTW	6.10	6.10	4.18	4.88	4.88	5.26	5.01	5.01	3.52	4.25	4.25
PJ864RT	PJ864RTW	8.00	6.12	4.13	6.75	4.88	5.21	6.89	5.01	3.47	6.25	4.25
PJ1084RT	PJ1084RTW	10.13	8.26	4.13	8.75	6.88	5.21	8.89	7.01	3.47	8.25	6.25
PJ1086RT	PJ1086RTW	10.13	8.26	6.13	8.75	6.88	7.21	8.89	7.01	5.47	8.25	6.25
PJ12106RT	PJ12106RTW	12.13	10.26	6.13	10.75	8.88	7.21	10.89	9.01	5.47	10.25	8.25
PJ12124RT	PJ12124RTW	12.13	12.13	4.13	10.75	10.88	3.68	10.89	11.03	3.47	10.25	10.25
PJ12126RT	PJ12126RTW	12.13	12.13	6.13	10.75	10.88	5.68	10.89	11.03	5.47	10.25	10.25
PJ14126RT	PJ14126RTW	14.13	12.26	6.13	12.75	10.88	7.21	12.89	11.01	5.47	12.25	10.25
PJ16148RT	PJ16148RTW	16.27	14.40	8.13	14.75	12.88	9.21	14.89	13.01	7.47	14.25	12.25
PJ18168RT	PJ18168RTW	18.40	16.40	8.13	16.88	14.88	9.21	16.97	14.97	7.47	16.25	14.25
PJ20168RT	PJ20168RTW	20.00	16.00	8.13	18.44	14.44	9.21	18.54	14.54	7.47	17.81	13.81
PJ24208RT <sup>1</sup>	PJ24208RTW <sup>1</sup>	24.00	20.00	8.13	21.00	17.00	8.65	22.75	18.75	7.47	19.25	15.25
PJ24248RT <sup>1</sup>	PJ24248RTW <sup>1</sup>	24.00	24.00	8.13	21.00	21.00	8.65	22.75	22.75	7.47	19.25	19.25
PJ30248RT <sup>1</sup>	PJ30248RTW <sup>1</sup>	30.00	24.00	8.13	27.00	21.00	8.65	28.75	22.75	7.47	25.25	19.25
PJ242010RT <sup>1</sup>	PJ242010RTW <sup>1</sup>	24.00	20.00	10.13	21.00	17.00	10.65	22.75	18.75	9.47	19.25	15.25
PJ242410RT <sup>1</sup>	PJ242410RTW <sup>1</sup>	24.00	24.00	10.13	21.00	21.00	10.65	22.75	22.75	9.47	19.25	19.25

Solid Cover Part No.	Window Cover Part No.	Overall Dimensions			Panel Size						Center	
		A	B	C	D	E	F	G	H	J	S	Z
PJ302410RT <sup>1</sup>	PJ302410RTW <sup>1</sup>	30.00	24.00	10.13	27.00	21.00	10.65	28.75	22.75	9.47	25.25	19.25

<sup>1</sup> Uses larger mounting foot - see drawing above.

Solid Cover Part No.	Window Cover Part No.	Cover Dimensions								Opt. Panel Part No.	Window	
		L	T	K	M	U	W	R	V		Height	Width
PJ664RT	PJ664RTW	7.32	5.83	6.08	6.08	7.69	7.69	0.44	0.49	14R0505	4.25	4.25
PJ864RT	PJ864RTW	9.19	5.85	6.11	7.98	9.59	7.71	0.44	0.50	14R0705	6.26	4.25
PJ1084RT	PJ1084RTW	11.19	7.85	8.44	10.32	11.77	9.90	0.44	0.50	14R0907	8.37	6.50
PJ1086RT	PJ1086RTW	11.19	7.85	8.44	10.32	11.77	9.90	0.44	0.50	14R0907	8.37	6.50
PJ12106RT	PJ12106RTW	13.19	9.85	10.45	12.32	13.77	11.90	0.44	0.50	14R1109	10.37	8.50
PJ12124RT	PJ12124RTW	13.33	11.85	12.32	12.32	13.72	13.72	0.44	0.50	14R1111	10.38	10.38
PJ12126RT	PJ12126RTW	13.33	11.85	12.32	12.32	13.72	13.72	0.44	0.50	14R1111	10.38	10.38
PJ14126RT	PJ14126RTW	15.19	11.85	12.45	14.32	15.73	13.85	0.44	0.50	14R1311	12.37	10.50
PJ16148RT	PJ16148RTW	17.19	13.71	13.86	15.73	17.87	15.99	0.44	0.50	14R1513	13.00	11.00
PJ18168RT	PJ18168RTW	19.28	15.72	15.86	17.86	20.00	18.00	0.44	0.50	P1868	14.00	12.00
PJ20168RT	PJ20168RTW	20.84	15.31	15.43	19.43	21.59	17.59	0.44	0.52	P2068	15.00	11.00
PJ24208RT <sup>1</sup>	PJ24208RTW <sup>1</sup>	25.06	19.73	20.16	24.16	25.59	21.59	1.00	1.38	18P2117	16.00	12.00
PJ24248RT <sup>1</sup>	PJ24248RTW <sup>1</sup>	25.06	23.73	24.16	24.16	25.59	25.59	1.00	1.38	18P2121	16.00	16.00
PJ30248RT <sup>1</sup>	PJ30248RTW <sup>1</sup>	31.06	23.73	24.16	30.16	31.59	25.59	1.00	1.38	18P2721	23.00	17.00
PJ242010RT <sup>1</sup>	PJ242010RTW <sup>1</sup>	25.06	19.70	20.16	24.16	25.59	21.59	1.00	1.36	18P2117	16.00	12.00
PJ242410RT <sup>1</sup>	PJ242410RTW <sup>1</sup>	25.06	23.70	24.16	24.16	25.59	25.59	1.00	1.36	18P2121	16.00	16.00
PJ302410RT <sup>1</sup>	PJ302410RTW <sup>1</sup>	31.06	23.70	24.16	30.16	31.59	25.59	1.00	1.36	18P2721	23.00	17.00

<sup>1</sup> Uses larger mounting foot - see drawing above.

*Data subject to change without notice*

© 2018. Hammond Manufacturing Ltd. All rights reserved.