



Quality Products. Service Excellence.

## Type 4X Polyester Junction Box w/ Raised Lid (Solid and Window) PJ Series

Lift-Off Cover/Hinged Door with Screws



**Panel  
Sold  
Separately**



### Application

- Designed for use as instrument enclosures, electric, hydraulic or pneumatic control housings, electrical junction boxes or terminal wiring enclosures.
- Provides outstanding insulation and protection where equipment may be hosed down or be very wet.
- Ideal in applications with high temperatures or highly corrosive environments.

### Standards

- UL 508A Type 1, 2, 3, 4, 4X, 12 and 13
- CSA Type 1, 2, 3, 4, 4X, 12 and 13
- Complies with
  - NEMA Type 1, 2, 3, 4, 4X, 12 and 13
  - IEC 60529, IP66

### Construction

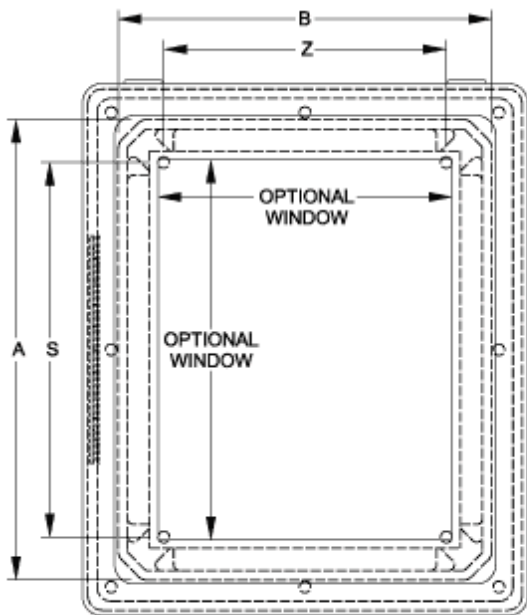
- Molded fiberglass polyester enclosure with matching cover is easily punched, cut, or drilled.
- Enhanced UV inhibitors protect against outdoor weathering.
- Standard JIC sizes under 18" x 16".
- Threaded brass inserts are provided for optional inner panel or terminal kit mounting. Mounting hardware is included.
- Cover fastened with captive stainless steel screws in threaded brass inserts.
- Door fasteners include a provision for padlocking.
- Enclosures are available with bonded polycarbonate viewing windows.
- Door is supported with a continuous stainless steel hinge.
- Captive oil resistant gasket provides a positive seal.
- Threaded brass inserts are provided for mounting feet to the rear of the enclosure.
- Stainless steel mounting brackets and hardware are provided for mounting to the rear of the enclosure.
- Operating temperatures between 130°C and -40°C (266°F to -40°F).
- Impact index of 6.78J (5 ft/lb).
- For corrosion resistance information, please refer to table in the **Technical Information** section.

### Finish

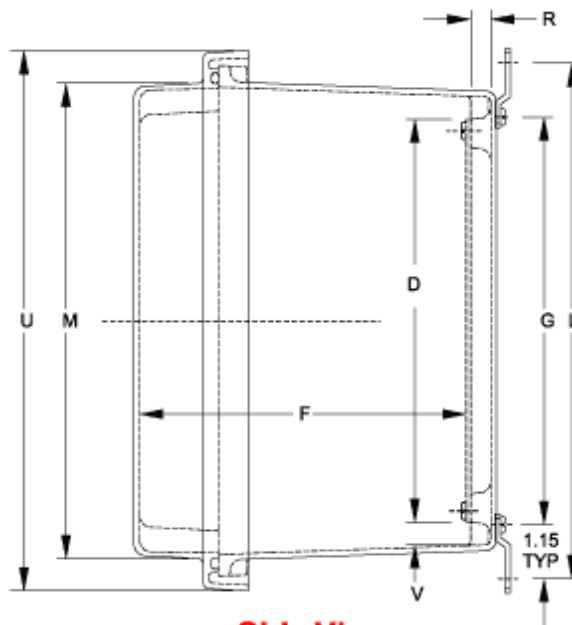
- Fiberglass polyester material has a gray finish.
- Optional inner panels are available in white powder coated finished steel or unfinished aluminum, or Fiberglass.

### Accessories

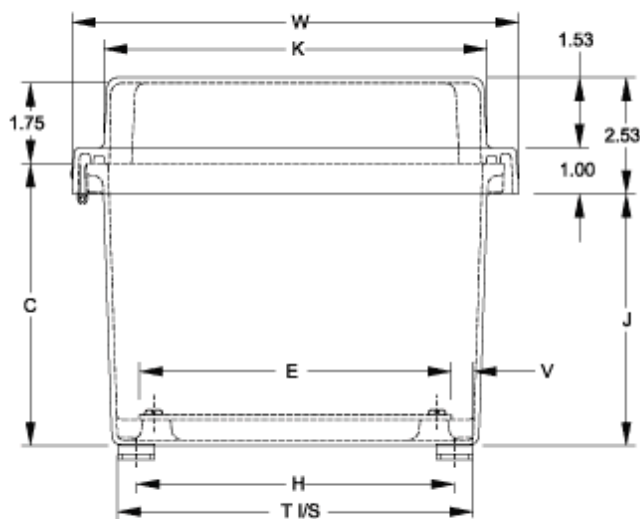
- Inner Panels
- Terminal Kit Assemblies



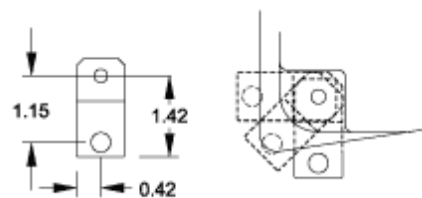
**Front View**



**Side View**



**End View**



**Optional Mounting Feet Locations**

**Thermal Index**  
130°C to -40°C (266°F to -40°F)  
**Impact Index**  
6.78J (5 ft/lb)

Solid Cover Part No.	Raised Window Cover Lift-Off Part No.	Overall Dimensions			Panel Size				Center			
		A	B	C	D	E	F	G	H	J	S	Z
PJ664R <sup>1</sup>	PJ664RW <sup>1</sup>	6.10	6.10	4.18	4.88	4.88	5.26	5.01	5.01	3.52	4.25	4.25
PJ864R <sup>1</sup>	PJ864RW <sup>1</sup>	8.00	6.12	4.13	6.75	4.88	5.21	6.89	5.01	3.47	6.25	4.25
PJ1084R <sup>1</sup>	PJ1084RW <sup>1</sup>	10.13	8.26	4.13	8.75	6.88	3.68	8.89	7.01	3.47	8.25	6.25
PJ1086R <sup>1</sup>	PJ1086RW <sup>1</sup>	10.13	8.26	6.13	8.75	6.88	7.21	8.89	7.01	5.47	8.25	6.25
PJ12106R <sup>1</sup>	PJ12106RW <sup>1</sup>	12.13	10.26	6.13	10.75	8.88	7.21	10.89	9.01	5.47	10.25	8.25
PJ12124R	PJ12124RW	12.13	12.13	4.13	10.75	10.88	3.68	10.89	11.03	3.47	10.25	10.25
PJ12126R	PJ12126RW	12.13	12.13	6.13	10.75	10.88	5.68	10.89	11.03	5.47	10.25	10.25
PJ14126R <sup>1</sup>	PJ14126RW <sup>1</sup>	14.13	12.26	6.13	12.75	10.88	7.21	12.89	11.01	5.47	12.25	10.25
PJ16148R	PJ16148RW	16.27	14.40	8.13	14.75	12.88	9.21	14.89	13.01	7.47	14.25	12.25
PJ18168R	PJ18168RW	18.40	16.40	8.13	16.88	14.88	9.21	16.97	14.97	7.47	16.25	14.25
PJ20168R	PJ20168RW	20.00	16.00	8.13	18.44	14.44	9.21	18.54	14.54	7.47	17.81	13.81

Raised Hinged Solid Cover	Raised Window Hinged Cover	Cover Dimensions	Opt. Panel	Window Dimensions
------------------------------	-------------------------------	------------------	------------	-------------------

Part No.	Hinged	Part No.	Window	L	T	K	M	U	W	R	V	Part No.	Height	Width
Solid Cover		Hinged Cover		Cover Dimensions						Opt. Panel	Window Dimensions			
Part No.	Part No.	L	T	K	M	U	W	R	V	Part No.	Height	Width		
PJ664RH	PJ664RHW	7.32	5.83	6.08	6.08	7.70	7.69	0.44	0.49	14R0505	4.25	4.25		
PJ864RH	PJ864RHW	9.19	5.85	6.11	7.98	9.60	7.71	0.44	0.50	14R0705	4.25	6.25		
PJ1084RH	PJ1084RHW	11.19	7.85	8.44	10.32	11.80	9.90	0.44	0.50	14R0907	8.37	6.50		
PJ1086RH	PJ1086RHW	11.19	7.85	8.44	10.32	11.80	9.90	0.44	0.50	14R0907	8.37	6.50		
PJ12106RH	PJ12106RHW	13.19	9.85	10.45	12.32	13.80	11.90	0.44	0.50	14R1109	10.37	8.50		
PJ12124RH	PJ12124RHW	13.33	11.85	12.32	12.32	13.72	13.72	0.44	0.50	14R1111	10.38	10.38		
PJ12126RH	PJ12126RHW	13.33	11.85	12.32	12.32	13.72	13.72	0.44	0.50	14R1111	10.38	10.38		
PJ14126RH	PJ14126RHW	15.19	11.85	12.45	14.32	15.70	13.85	0.44	0.50	14R1311	12.37	10.50		
PJ16148RH	PJ16148RHW	17.19	13.71	13.86	15.73	17.90	15.99	0.44	0.50	14R1513	13.00	11.00		
PJ18168RH	PJ18168RHW	19.28	15.72	15.86	17.86	20.00	18.00	0.44	0.50	P1868	14.00	12.00		
PJ20168RH	PJ20168RHW	20.84	15.31	15.43	19.43	21.60	17.59	0.44	0.52	P2068	15.00	11.00		

Aluminum and fiberglass panels available

<sup>2</sup> Type 6P

*Data subject to change without notice*

© 2018. Hammond Manufacturing Ltd. All rights reserved.