



*Quality Products. Service Excellence.*

## Type 4X Polycarbonate Junction Box (Solid and Clear Cover) *PCJ Series*

Screw Cover



### Application

- Designed to insulate and protect controls and components in both indoor and outdoor conditions
- Ideal for industrial pump controls, waste water, irrigation control along with solar/wind and chemical plants

### Standards

- UL 508A Type 1, 2, 3, 4, 4X, 12 and 13
- CSA Type 1, 2, 3, 4, 4X, 12 and 13
- **Complies with**
  - NEMA Type 1, 2, 3, 4, 4X, 12 and 13
  - IEC 60529, IP66
  - Flammability V-O per UL 94
  - UV rating (f1) per UL746C - UV stabilized for outdoor use
  - Compliant with RoHS directive

### Construction

- Injection moulded polycarbonate thermoplastic enclosure with matching cover is easily punched, cut, or drilled
- Enhanced UV inhibitors protect against outdoor weathering
- Threaded brass inserts are provided for optional inner panel or terminal kit mounting. Mounting hardware is included
- Stainless steel 316 screw fasteners
- Enclosure available with clear Polycarbonate cover
- Captive oil resistant gasket provides a positive seal
- Available with Polycarbonate flange or foot mount brackets for multi-directional mounting
- Operating temperatures between 130°C and - 35 °C (266°F to - 31 °F)
- Impact index of 16 J (12 ft/lb)
- For corrosion resistance information, please refer to table in the Technical Information section

### Finish

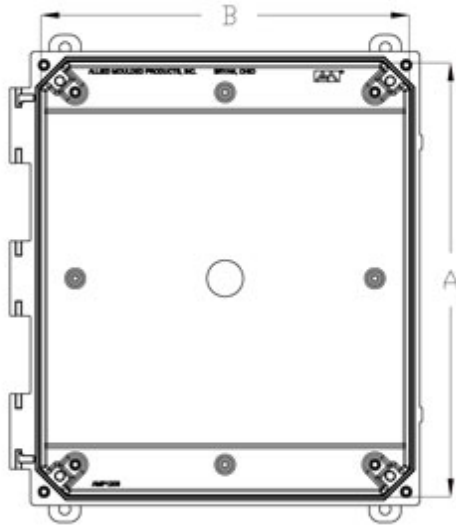
- Polycarbonate material has a Light gray finish
- Optional inner panels are available in white powder coated finished steel or unfinished aluminum, or Fiberglass

### Gallery



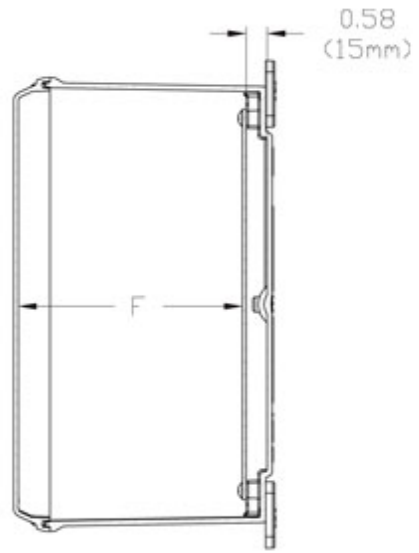
### Accessories

- Inner Panels
- Swing Panel

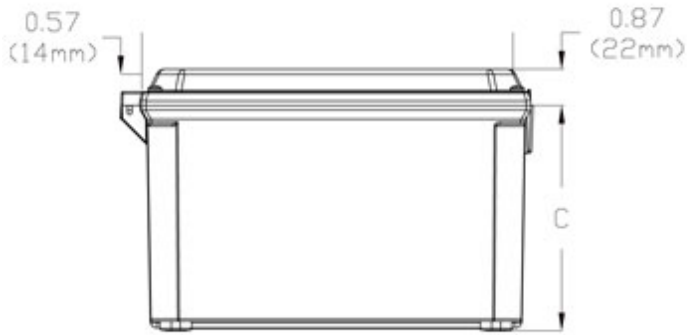


NOTE: COVER REMOVED FOR CLARITY

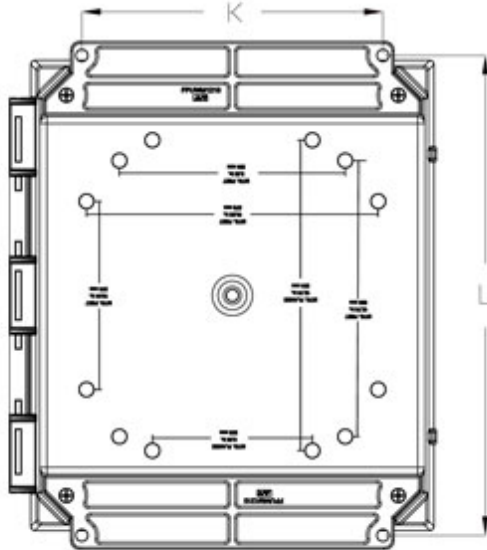
**Front View**



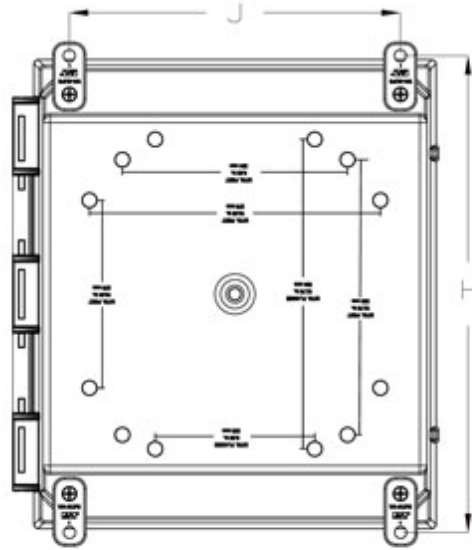
**Side View**



**End View**



**Rear View - Flanged Mount**



**Rear View - Foot Mount**

**Flanged**

Solid Cover	Clear Cover	Overall Dimensions			Panel Dimensions		Mounting Centers		Optional Steel
Flange	Flange	A	B	C	D	E	K	L (inches)	Inner Panel
Part No.	Part No.								Part No.
PCJ664F*	PCJ664CCF*	5.93	6.16	3.98	4.81	4.81	4.00	6.88 / 6.75	PCJR0505

Solid Cover Flange Part No.	Clear Cover Flange Part No.	Overall Dimensions			Panel Dimensions		Mounting Centers		Optional Steel Inner Panel Part No.
		A	B	C	D	E	K	L (inches)	
PCJ864F*	PCJ864CCF*	7.94	6.16	3.98	6.75	4.88	4.00	8.88 / 8.75	PCJR0705
PCJ884F*	PCJ884CCF*	7.94	8.15	3.98	6.75	6.88	6.00	8.75	PCJR0808
PCJ1082F	PCJ1082CCF	9.93	8.15	2.70	8.75	6.88	6.00	10.75	PCJR0907
PCJ1084F	PCJ1084CCF	9.93	8.15	3.98	8.75	6.88	6.00	10.75	PCJR0907
PCJ1086F	PCJ1086CCF	9.93	8.15	5.98	8.75	6.88	6.00	10.75	PCJR0907
PCJ12104F	PCJ12104CCF	11.92	10.15	3.98	10.75	8.88	8.00	12.75	PCJR1109
PCJ12106F	PCJ12106CCF	11.92	10.15	5.98	10.75	8.88	8.00	12.75	PCJR1109
PCJ14126F	PCJ14126CCF	13.94	12.16	5.98	12.75	10.88	10.00	14.75 / 14.62	PCJR1311
PCJ16148F	PCJ16148CCF	15.98	13.98	7.81	14.75	12.88	12.00	17.75	14R1513
PCJ181610F	PCJ181610CCF	18.04	16.04	9.81	16.88	14.88	12.00	19.63/19.51	P1868

\* Moulded hinge barrels removed from lid and body.

## Mounting Feet

Solid Cover Mounting Feet Part No.	Clear Cover Mounting Feet Part No.	Overall Dimensions			Panel Dimensions		Mounting Centers		Optional Steel Inner Panel Part No.
		A	B	C	D	E	J	H	
PCJ664*	PCJ664CC*	5.93	6.16	3.98	4.81	4.81	4.91	6.75	PCJR0505
PCJ864*	PCJ864CC*	7.94	6.16	3.98	6.75	4.88	4.91	8.75	PCJR0705
PCJ884*	PCJ884CC*	7.94	8.15	3.98	6.75	6.88	6.91	8.75	PCJR0808
PCJ1082	PCJ1082CC	9.93	8.15	2.70	8.75	6.88	6.91	10.75	PCJR0907
PCJ1084	PCJ1084CC	9.93	8.15	3.98	8.75	6.88	6.91	10.75	PCJR0907
PCJ1086	PCJ1086CC	9.93	8.15	5.98	8.75	6.88	6.91	10.75	PCJR0907
PCJ12104	PCJ12104CC	11.92	10.15	3.98	10.75	8.88	8.82	12.70	PCJR1109
PCJ12106	PCJ12106CC	11.92	10.15	5.98	10.75	8.88	8.82	12.70	PCJR1109
PCJ14126	PCJ14126CC	13.94	12.16	5.98	12.75	10.88	10.82	14.70	PCJR1311
PCJ16148	PCJ16148CC	15.98	13.98	7.81	14.75	12.88	11.47	17.91	14R1513
PCJ181610	PCJ181610CC	18.04	16.04	9.81	16.88	14.88	13.72	19.91	P1868

\* Moulded hinge barrels removed from lid and body.

*Data subject to change without notice*

© 2018. Hammond Manufacturing Ltd. All rights reserved.