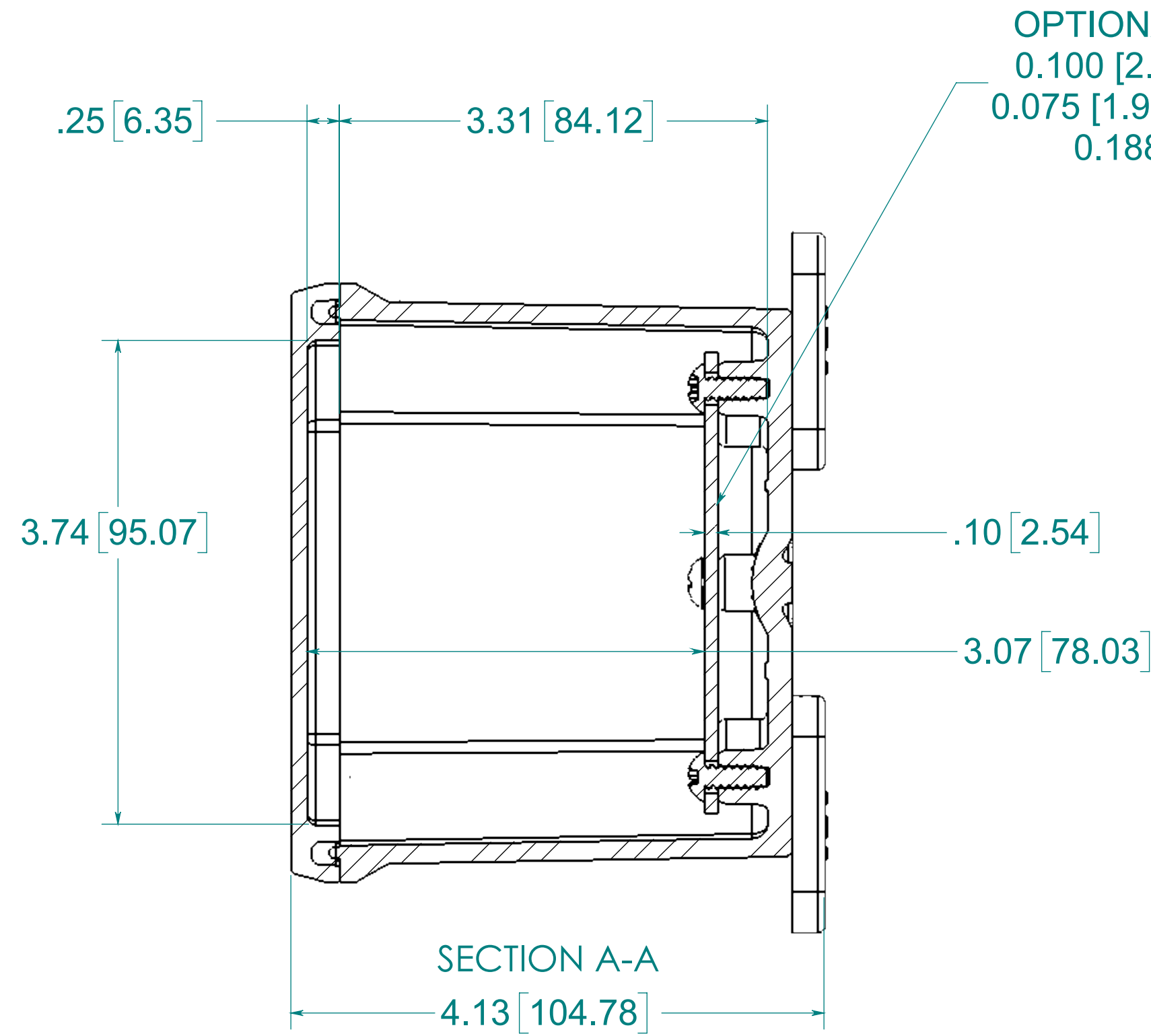
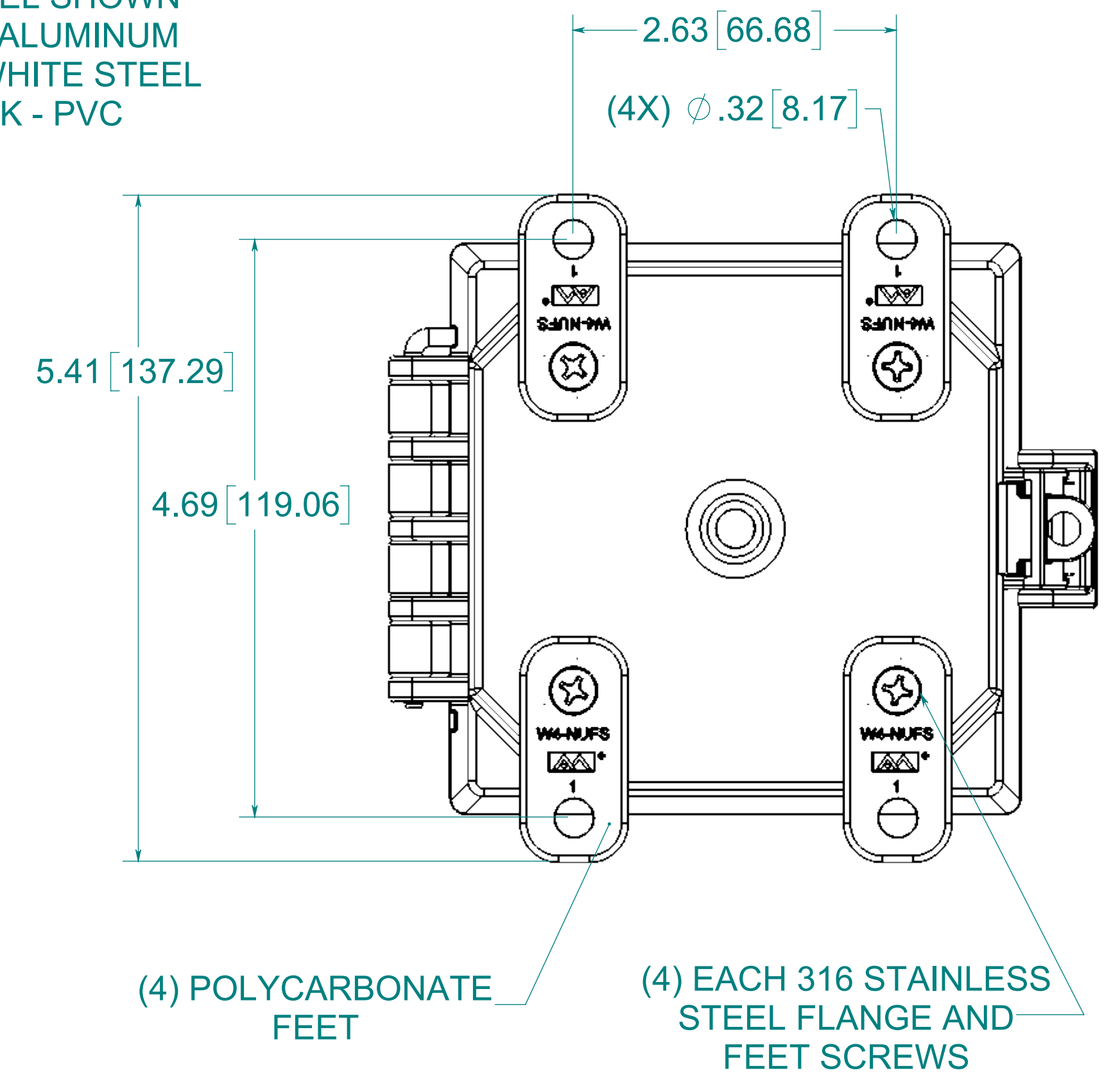


316 STAINLESS STEEL HINGE PIN

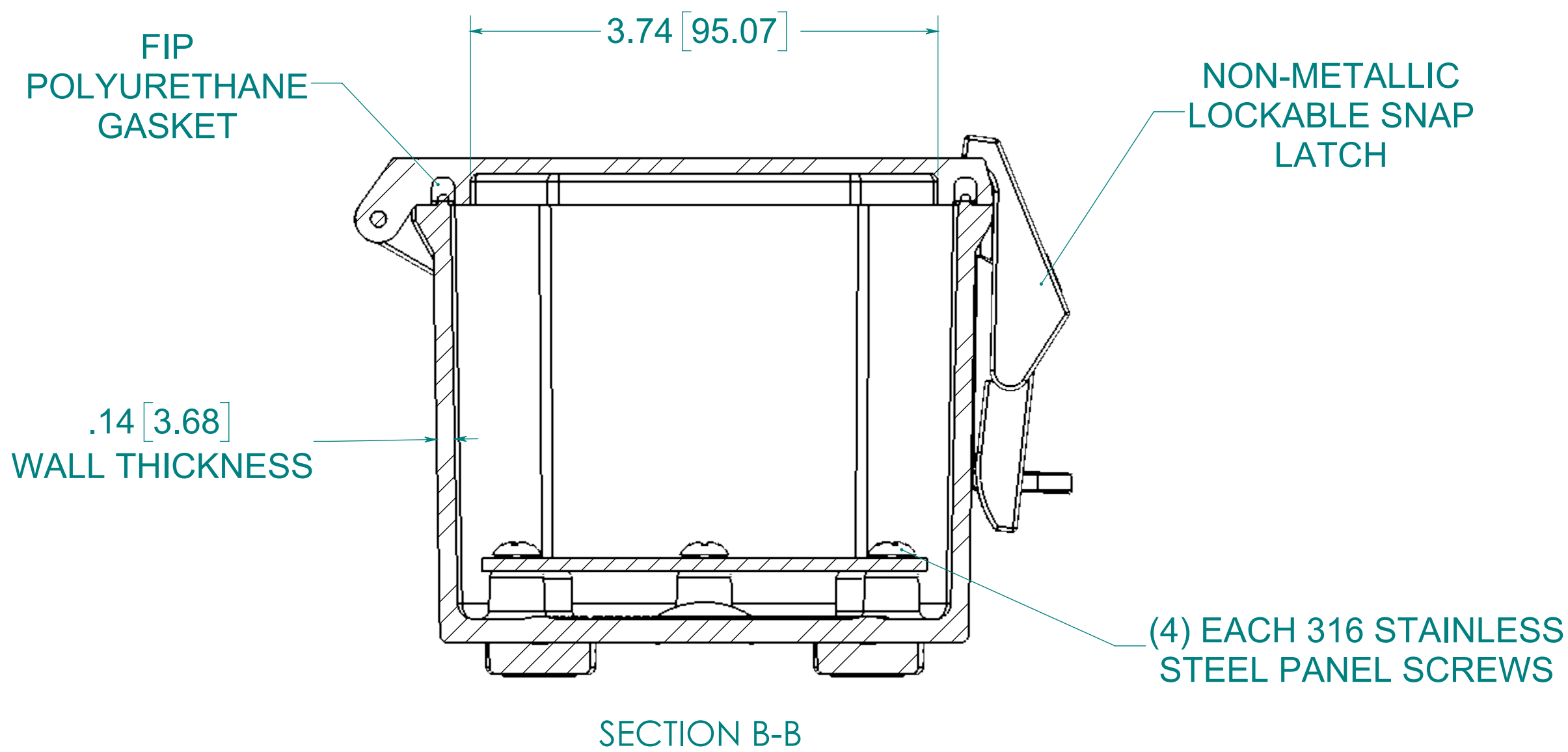


OPTIONAL BACK PANEL SHOWN
 0.100 [2.54mm] TH'K - ALUMINUM
 0.075 [1.91mm] TH'K - WHITE STEEL
 0.188 [4.78mm] TH'K - PVC



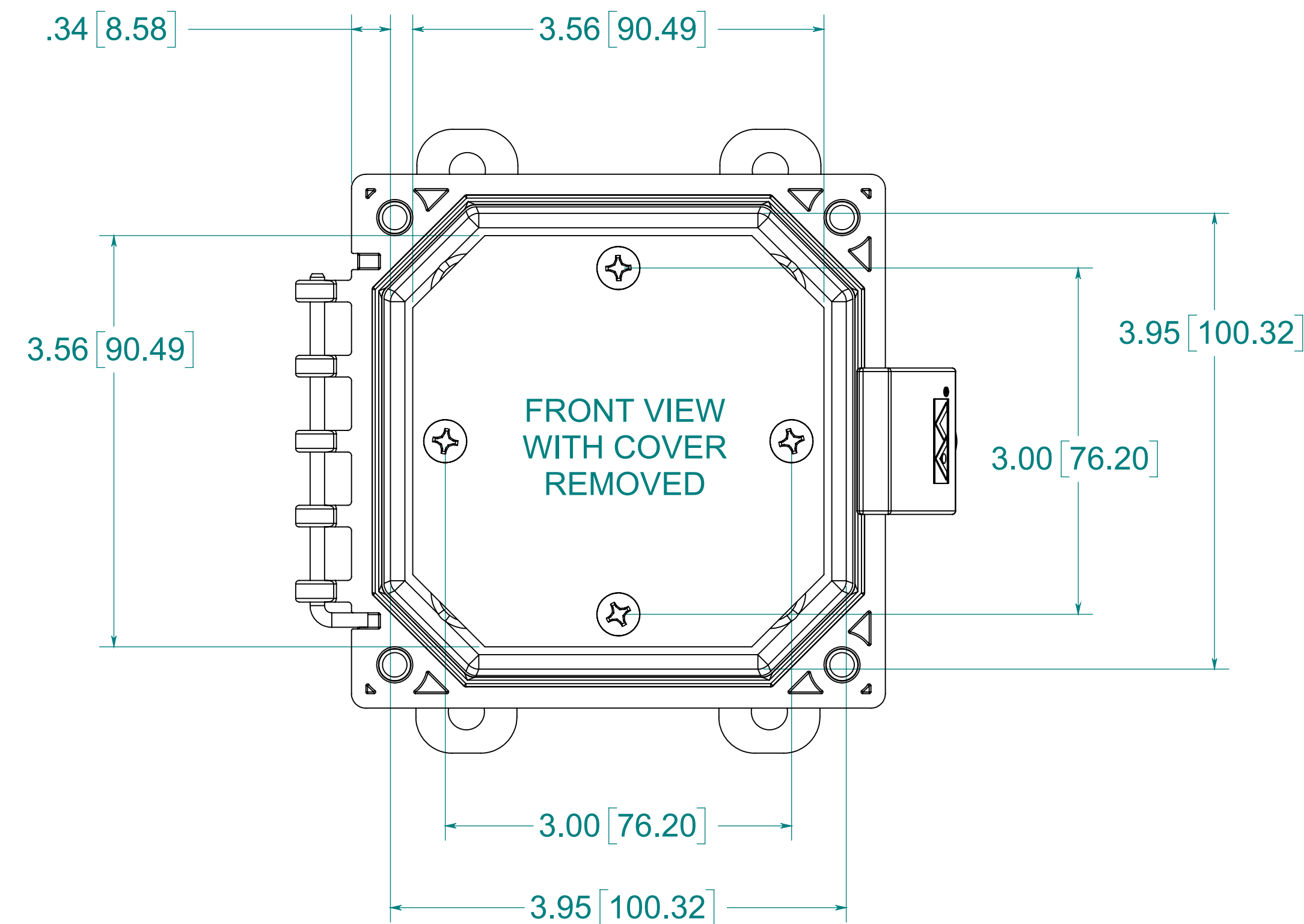
(4) POLYCARBONATE FEET

(4) EACH 316 STAINLESS STEEL FLANGE AND FEET SCREWS



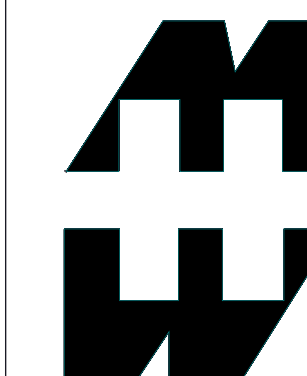
FIP POLYURETHANE GASKET

NON-METALLIC LOCKABLE SNAP LATCH



NOTE:
 1. DATA SUBJECT TO CHANGE WITHOUT NOTICE

MATERIAL:
 BOX - INJECTED POLYCARBONATE
 STANDARD COVER - INJECTED POLYCARBONATE
 CLEAR COVER - INJECTED POLYCARBONATE



PART No. PCJ443CCNL.WEB

for more information visit
www.hammfg.com
 Data subject to change without notice
 Drawing Not to Scale