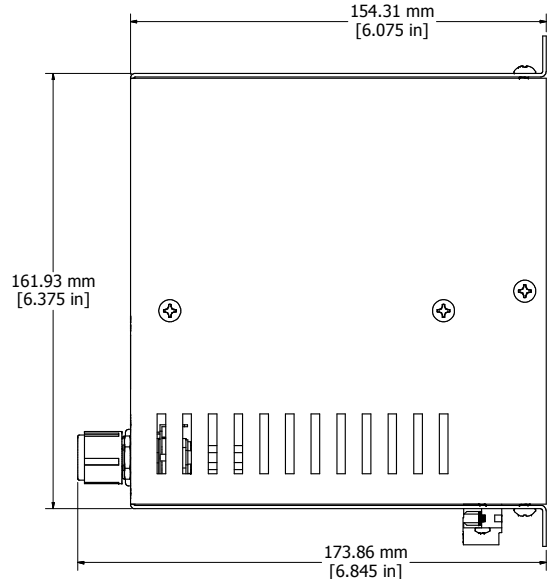
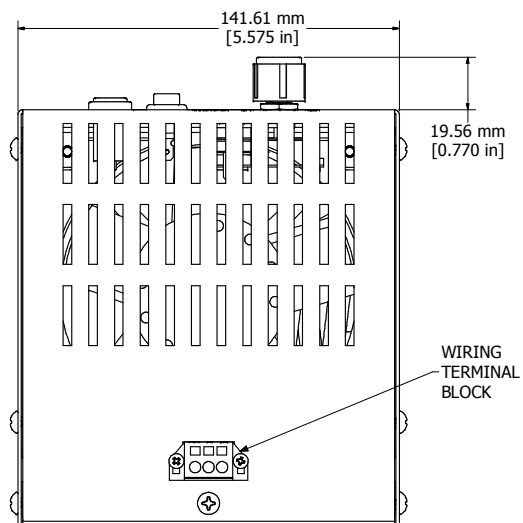


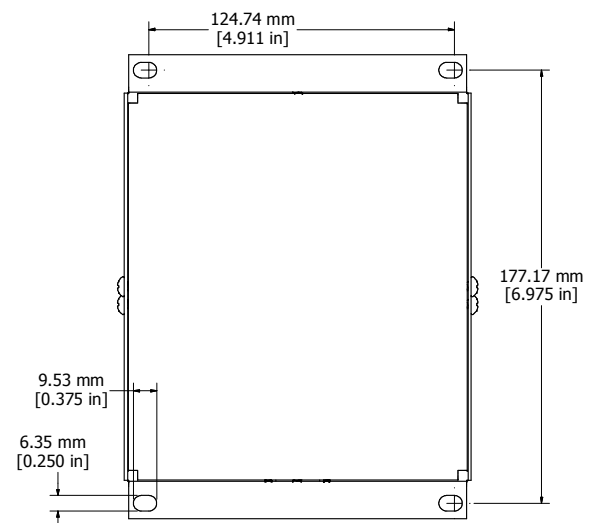
ASSEMBLY - VIEW FROM FRONT



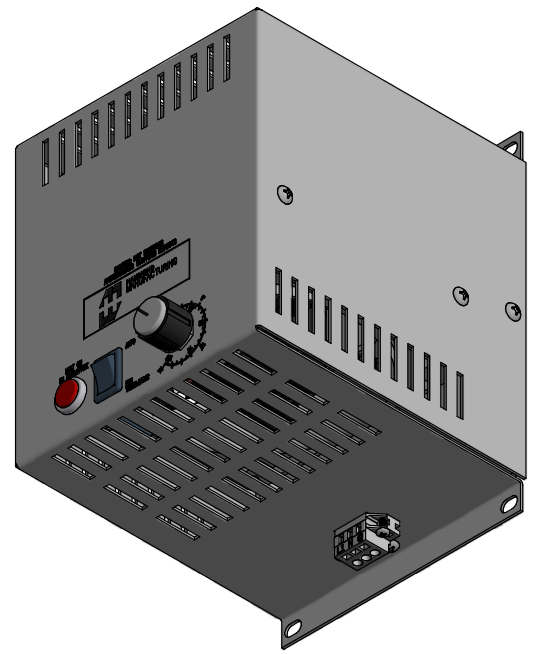
ASSEMBLY - VIEW FROM SIDE



ASSEMBLY - VIEW FROM BOTTOM



ASSEMBLY - VIEW FROM BACK



ISOMETRIC VIEW

FLHTF1300A115
Housing - Aluminum Alloy
Rating - 120 VAC, 60 Hz, 1300 W
Approvals - cULus Recognized Standard UL 508A & C22.2 No. 14-13

**HAMMOND
MANUFACTURING™**
FLHTF1300A115
www.hammondmfg.com