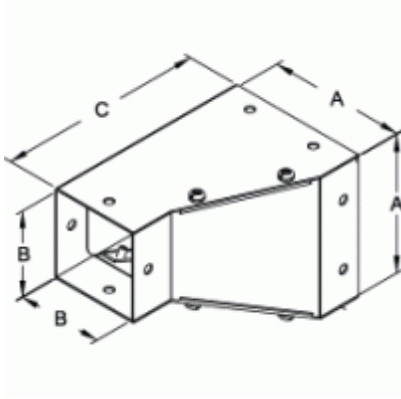




*Quality Products. Service Excellence.*

## Corner Reducer *CWCRD Series*



| Part No. | Size           |
|----------|----------------|
| CWCRD42  | 4x4 to 2.5x2.5 |
| CWCRD64  | 6x6 to 4x4     |
| CWCRD86  | 8x8 to 6x6     |

*Data subject to change without notice*



© 2020. Hammond Manufacturing Ltd. All rights reserved.