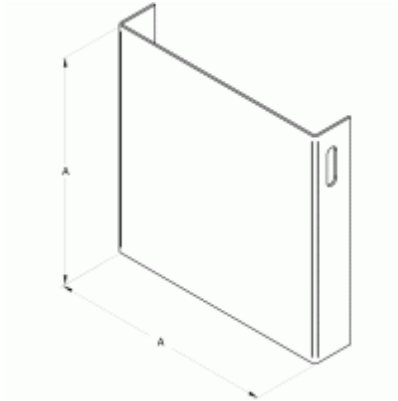




Quality Products. Service Excellence.

Closing Plate - w/o Knockouts CWCPNK Series



Painted Steel

| Part No. | For use with | H | W |
|----------|--------------|-------|-------|
| CWCP2NK | 2.5 x 2.5 | 2.40 | 2.40 |
| CWCP4NK | 4 x 4 | 3.90 | 3.90 |
| CWCP6NK | 6 x 6 | 5.90 | 5.90 |
| CWCP8NK | 8 x 8 | 7.90 | 7.90 |
| CWCP10NK | 10 x 10 | 9.90 | 9.90 |
| CWCP12NK | 12 x 12 | 11.90 | 11.90 |

Unpainted Galvanized

| Part No. | For use with | H | W |
|-----------|--------------|-------|-------|
| CWCP2GNK | 2.5 x 2.5 | 2.40 | 2.40 |
| CWCP4GNK | 4 x 4 | 3.90 | 3.90 |
| CWCP6GNK | 6 x 6 | 5.90 | 5.90 |
| CWCP8GNK | 8 x 8 | 7.90 | 7.90 |
| CWCP10GNK | 10 x 10 | 9.90 | 9.90 |
| CWCP12GNK | 12 x 12 | 11.90 | 11.90 |

Data subject to change without notice

© 2020. Hammond Manufacturing Ltd. All rights reserved.