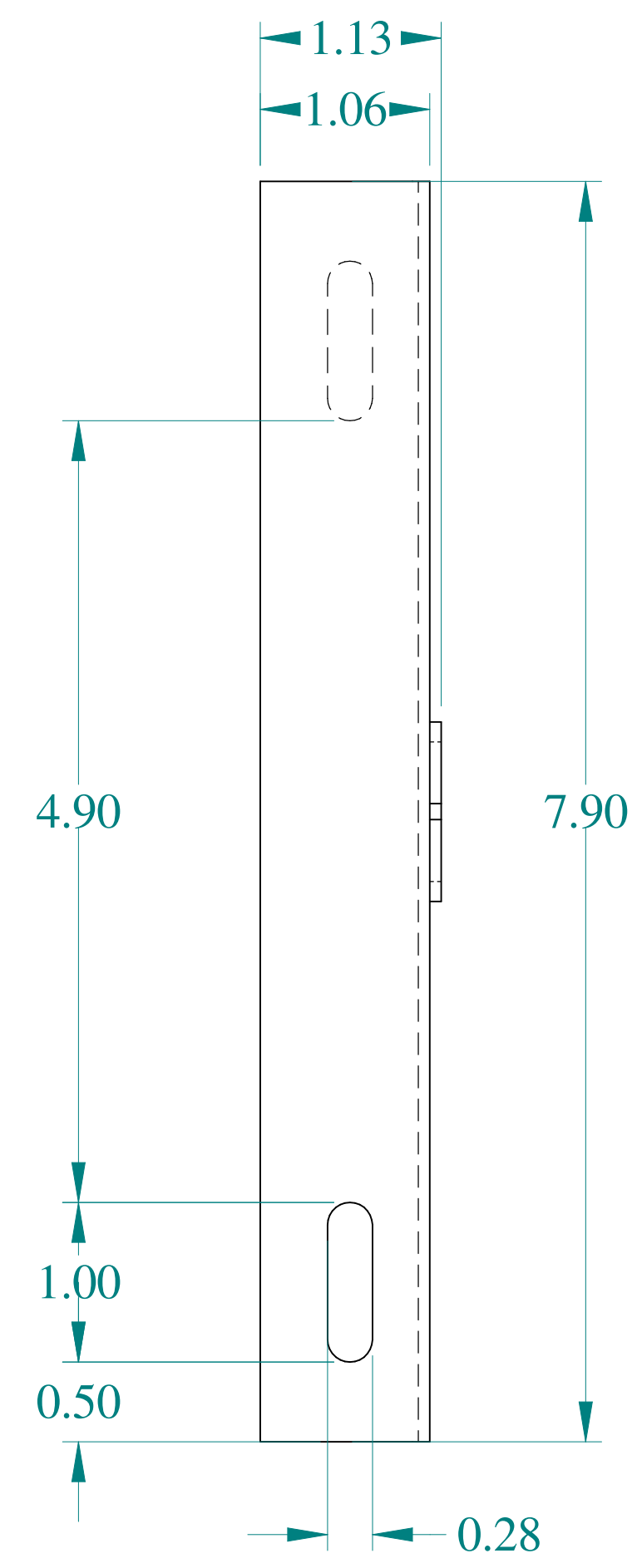
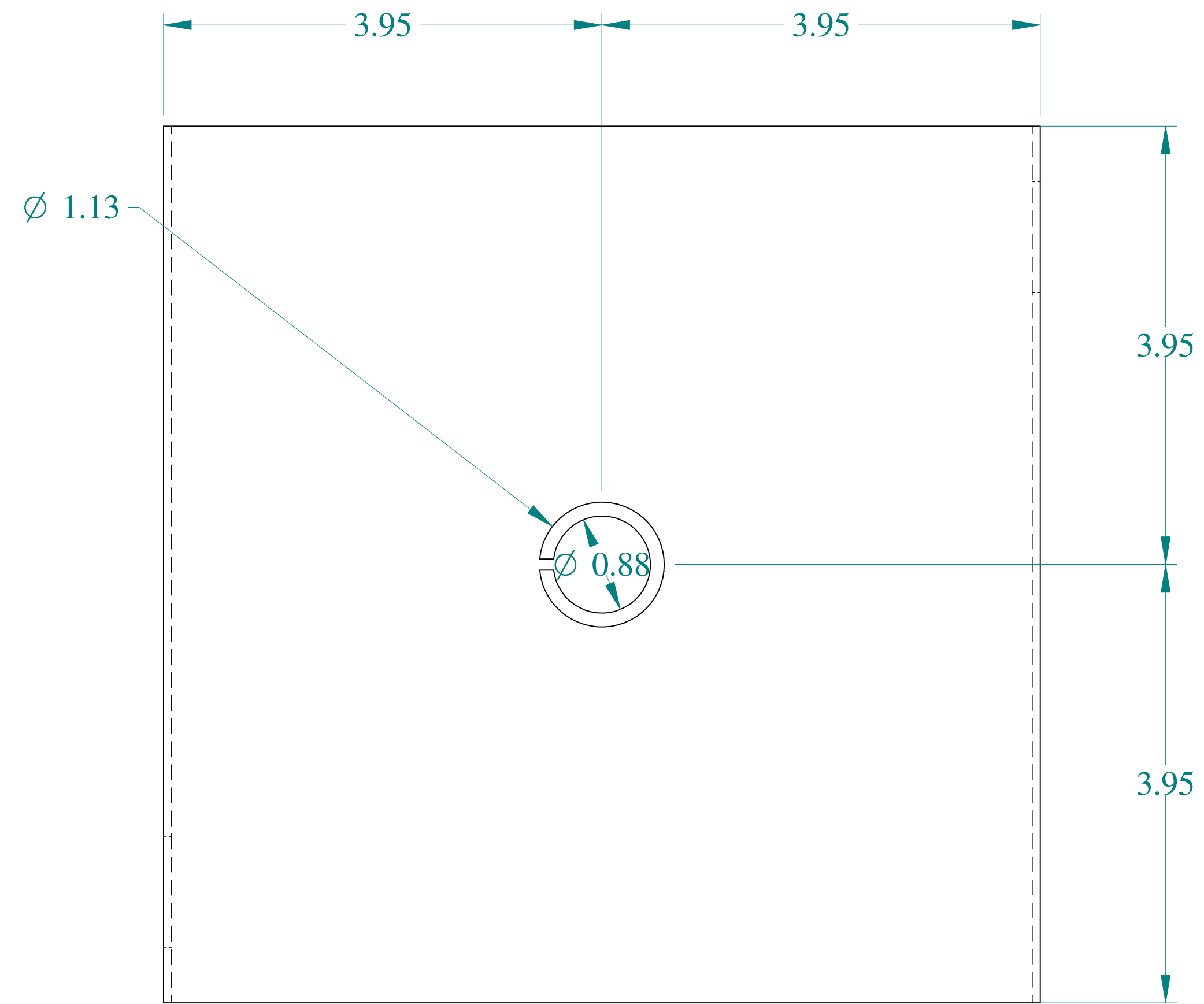


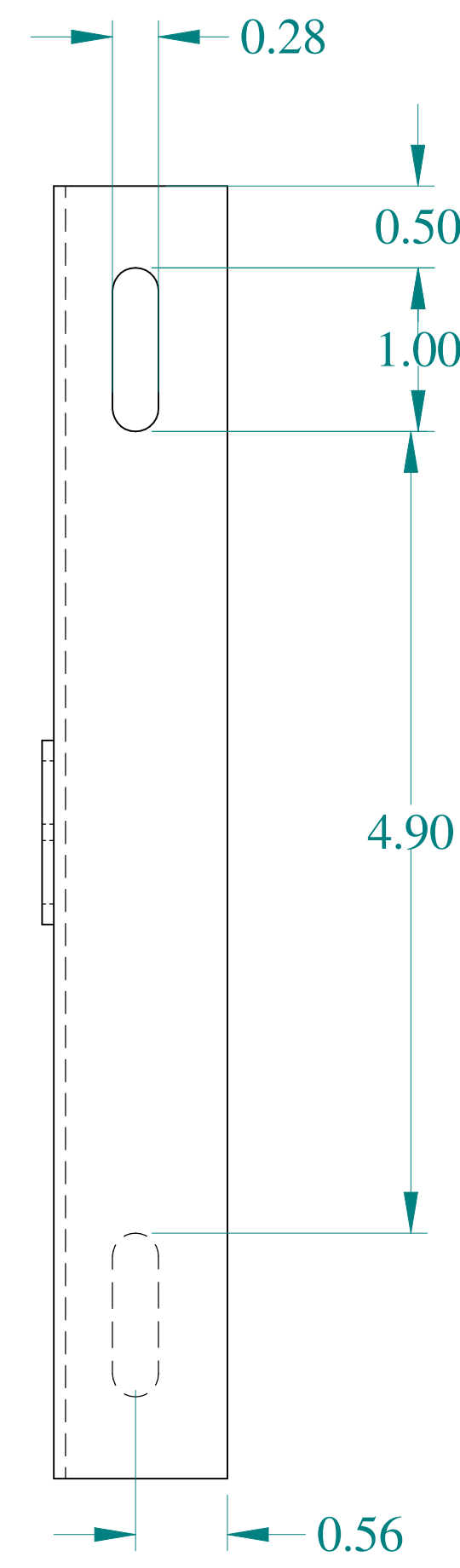
TOP VIEW



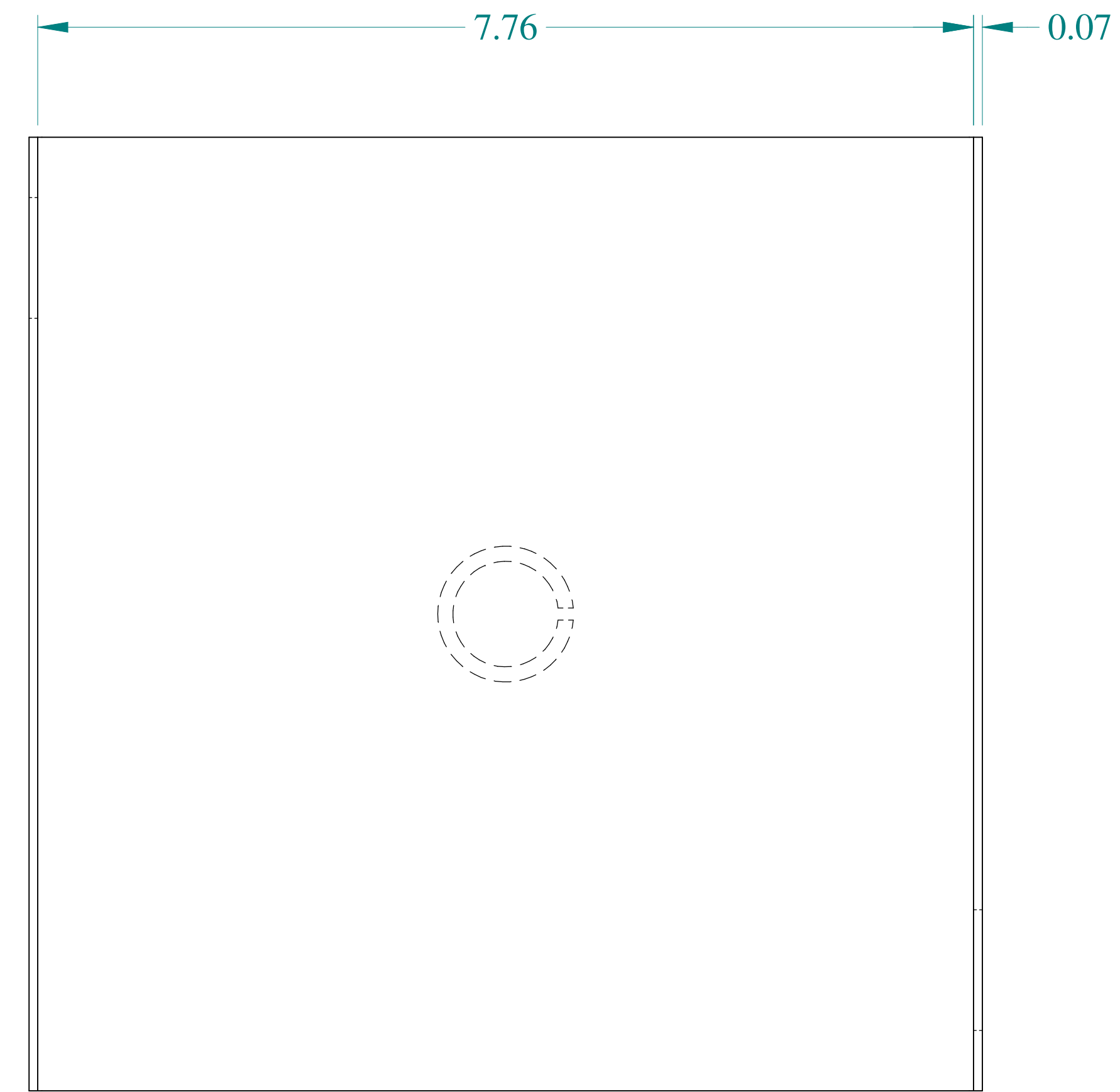
SIDE VIEW



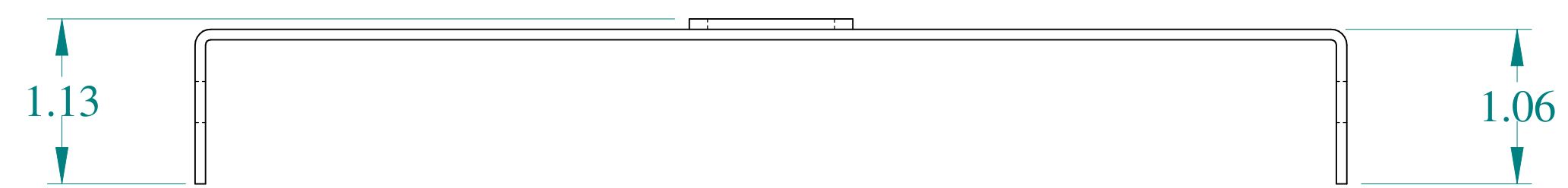
FRONT VIEW



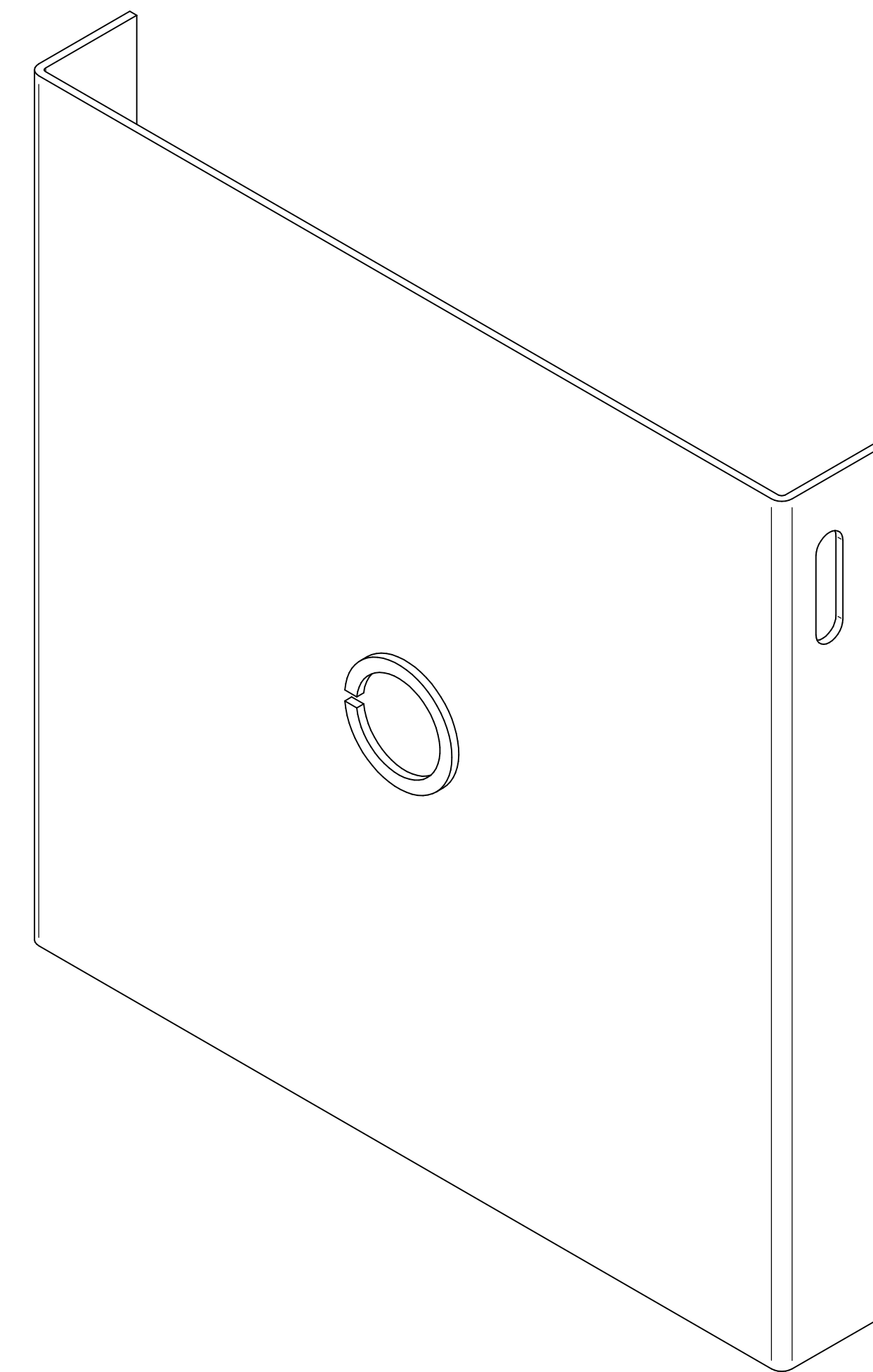
SIDE VIEW



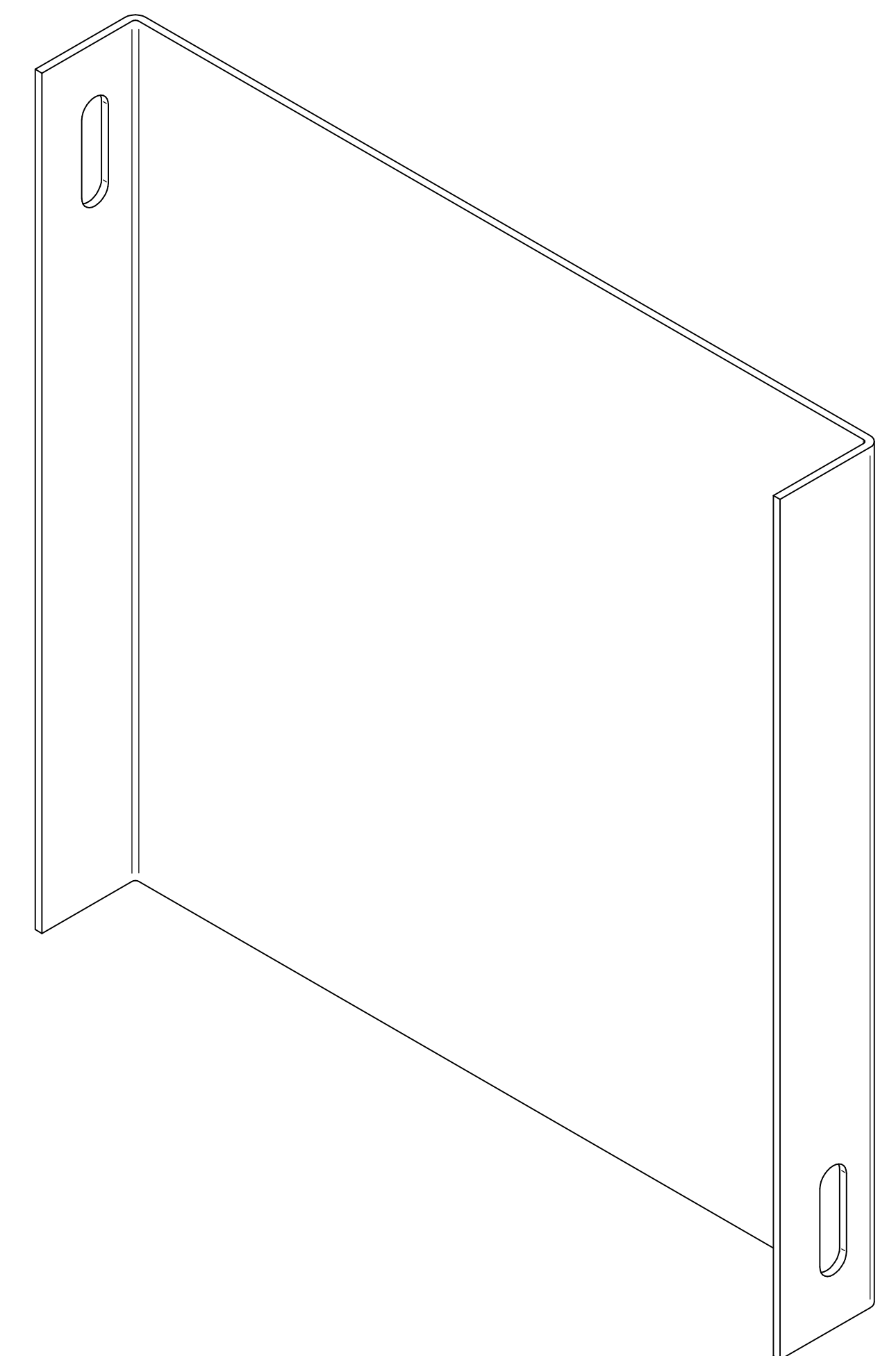
BACK VIEW



BOTTOM VIEW



ISOMETRIC VIEWS



HAMMOND
MANUFACTURING®

www.hammondmfg.com

Data subject to change without notice.

Part # : CWCP8G

Date : Jan. 27, 2020

Link: www.hammg.com/CWCP8G