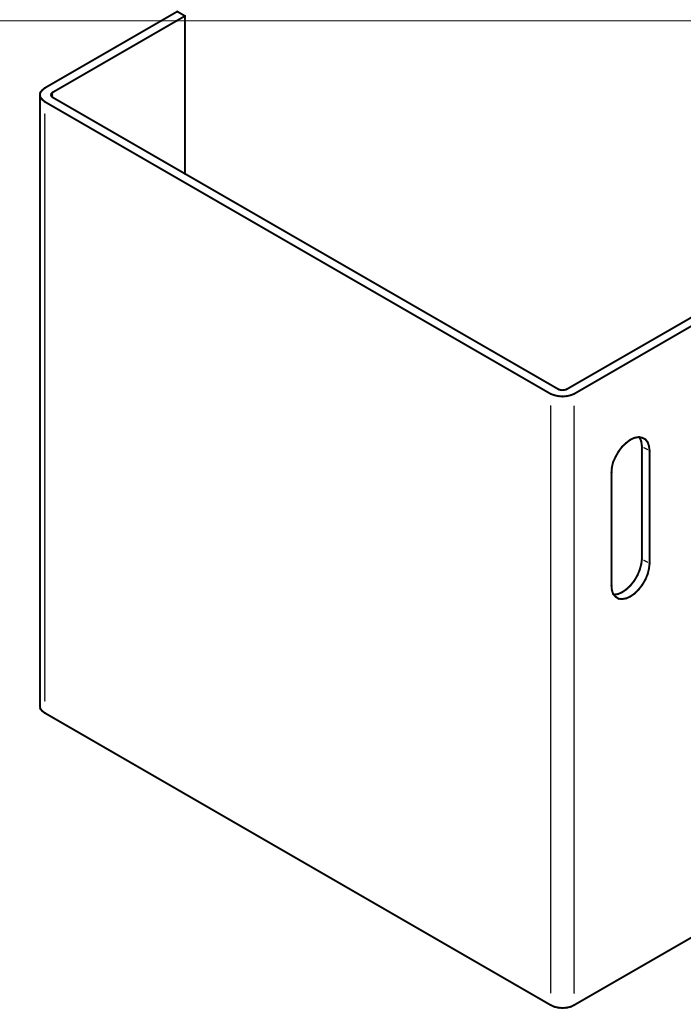
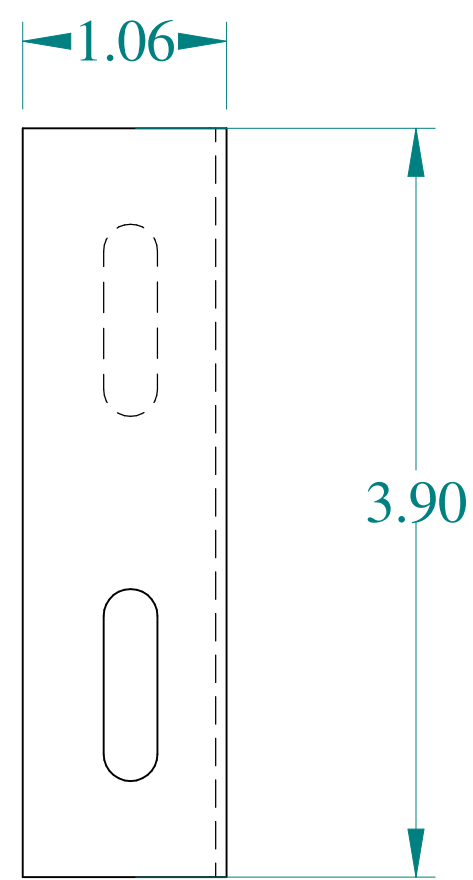
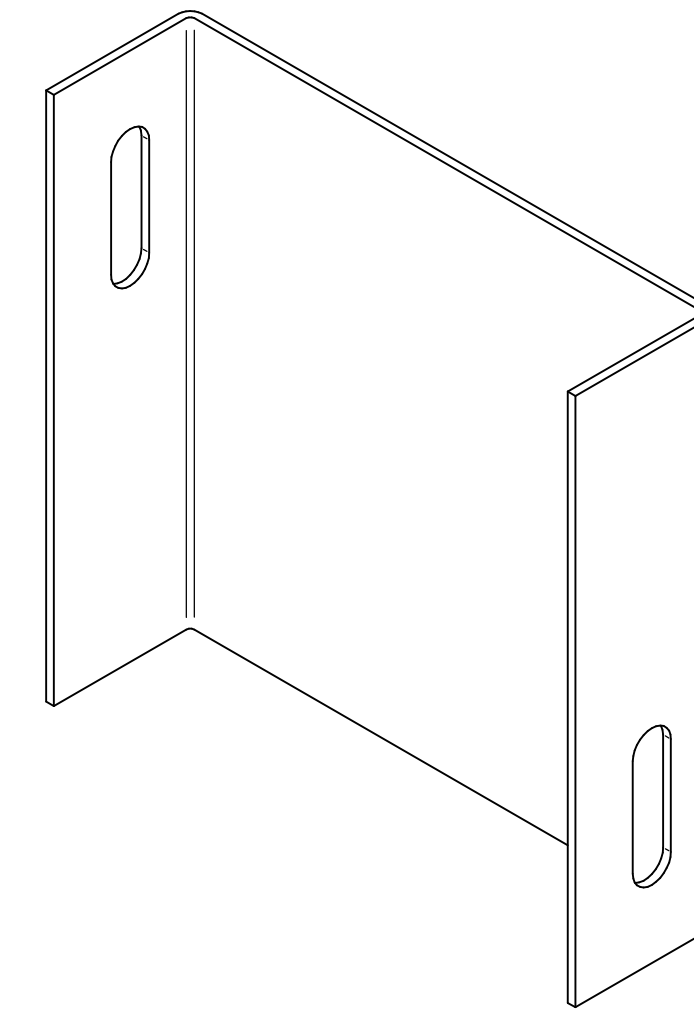


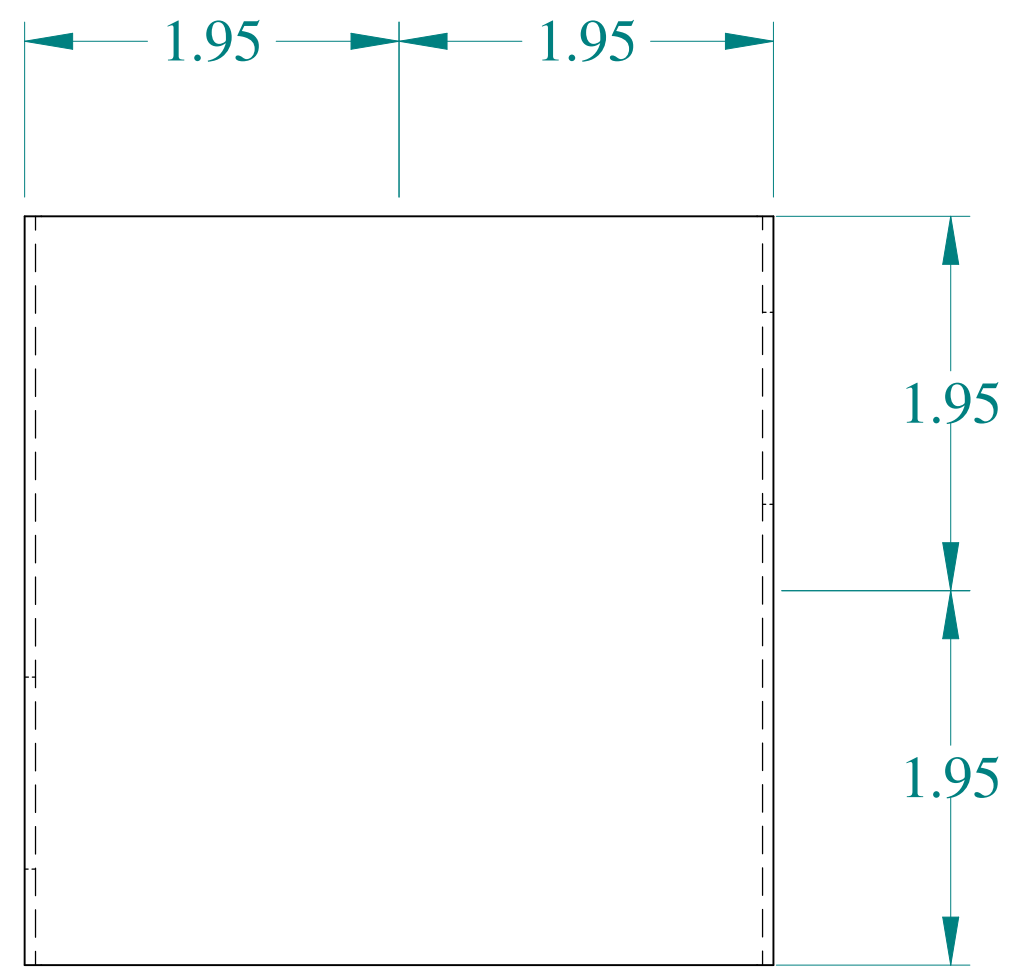
TOP VIEW



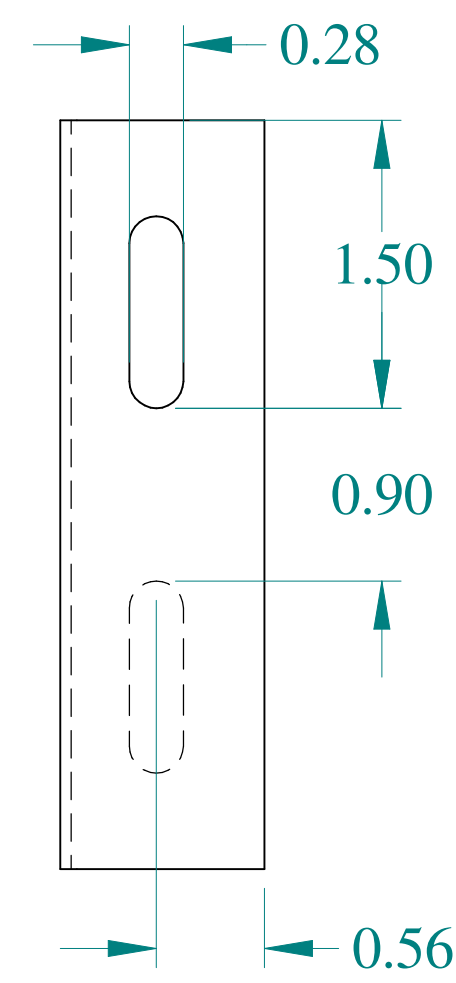
ISOMETRIC VIEWS



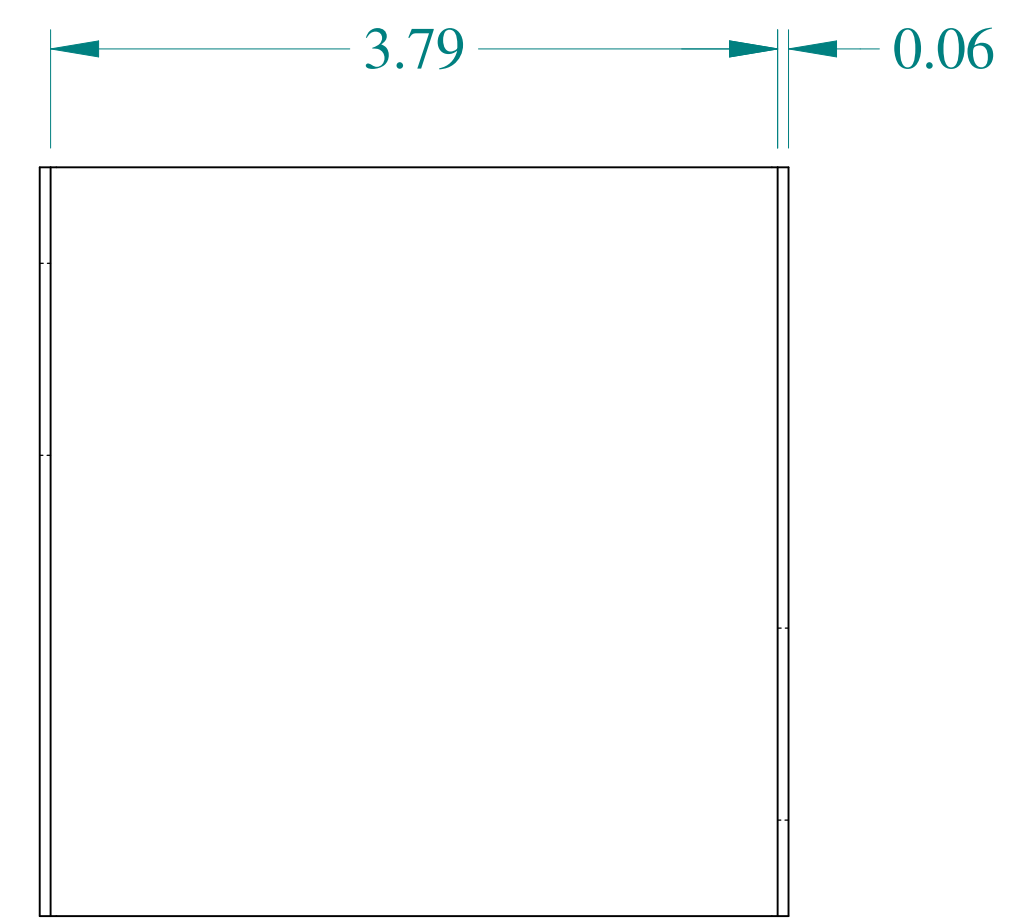
SIDE VIEW



FRONT VIEW



SIDE VIEW



BACK VIEW



BOTTOM VIEW



**HAMMOND
MANUFACTURING®**

www.hammondmfg.com

Data subject to change without notice.

Part # : CWCP4GNK

Date : Jan. 27, 2020

Link:www.hammfg.com/CWCP4GNK