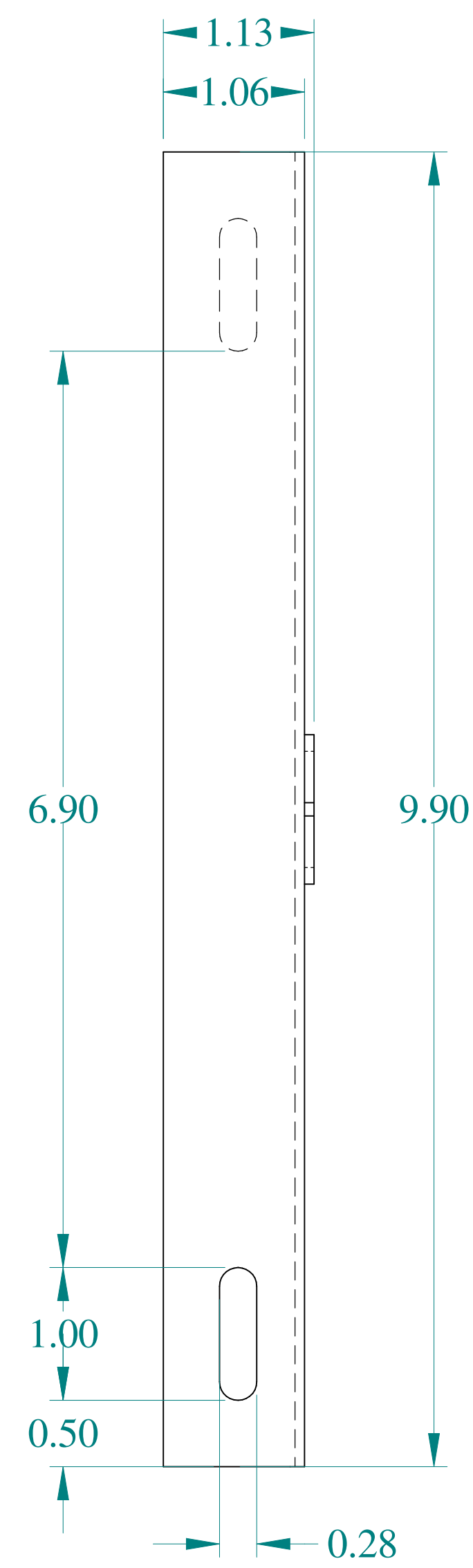
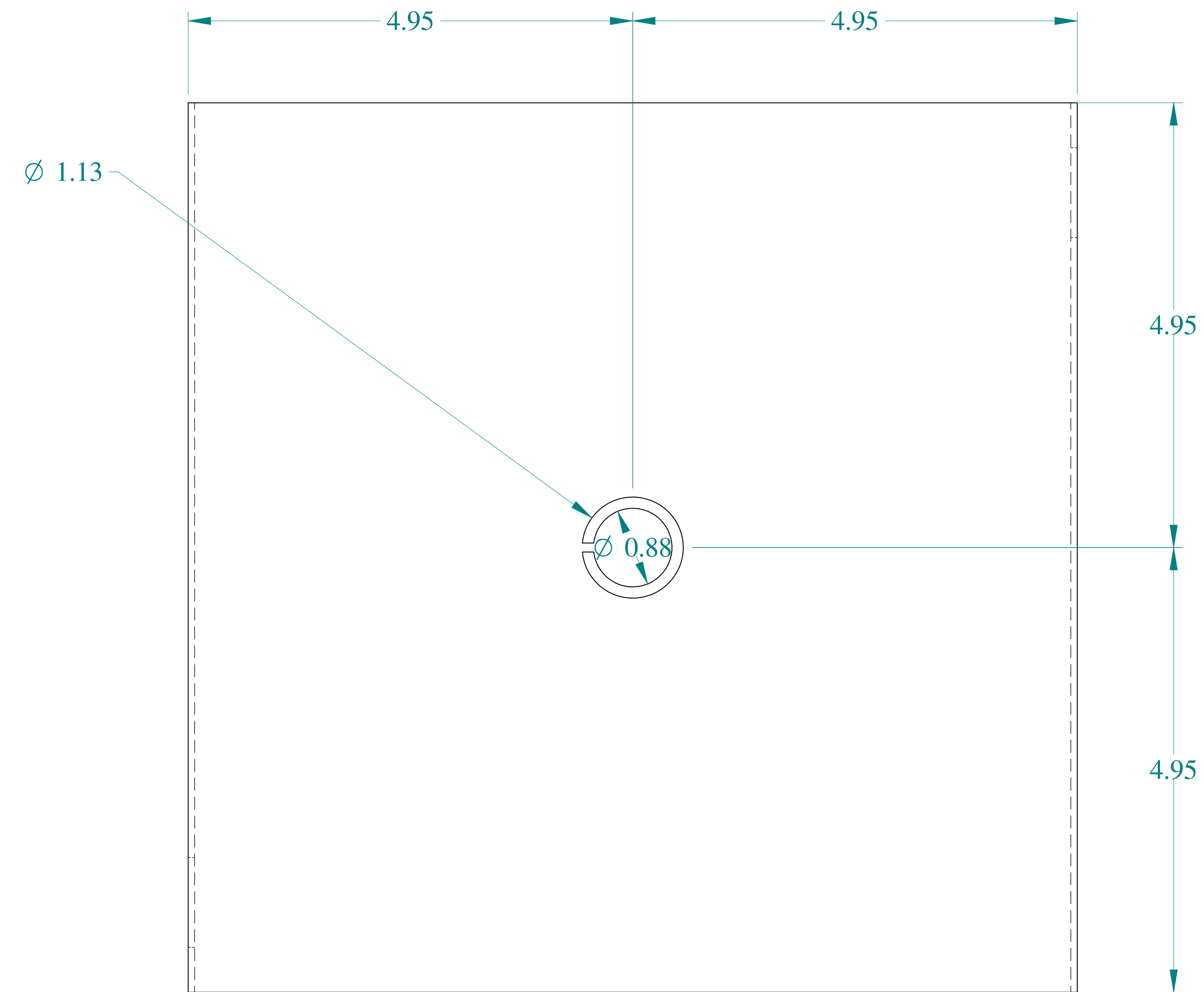


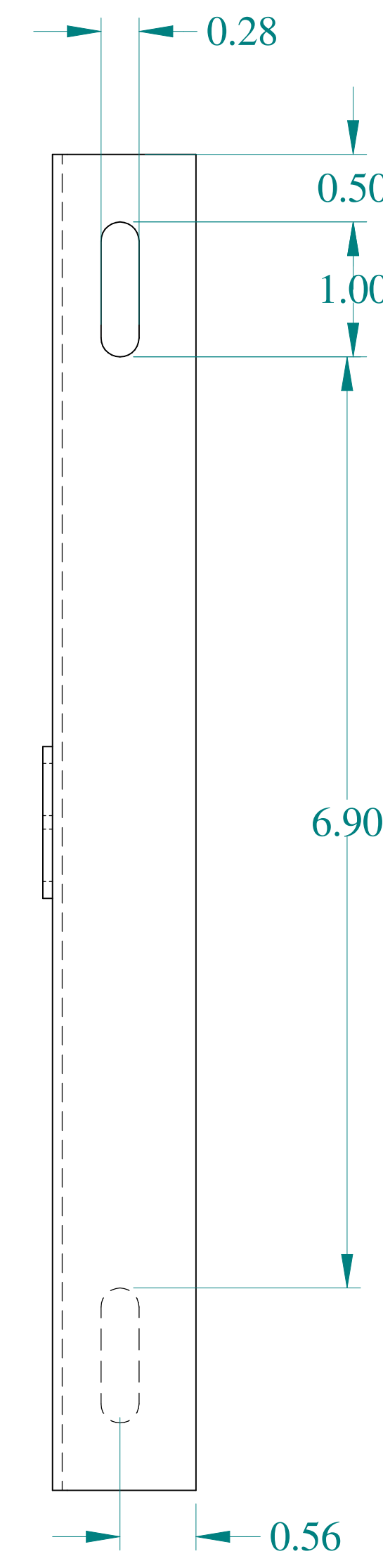
TOP VIEW



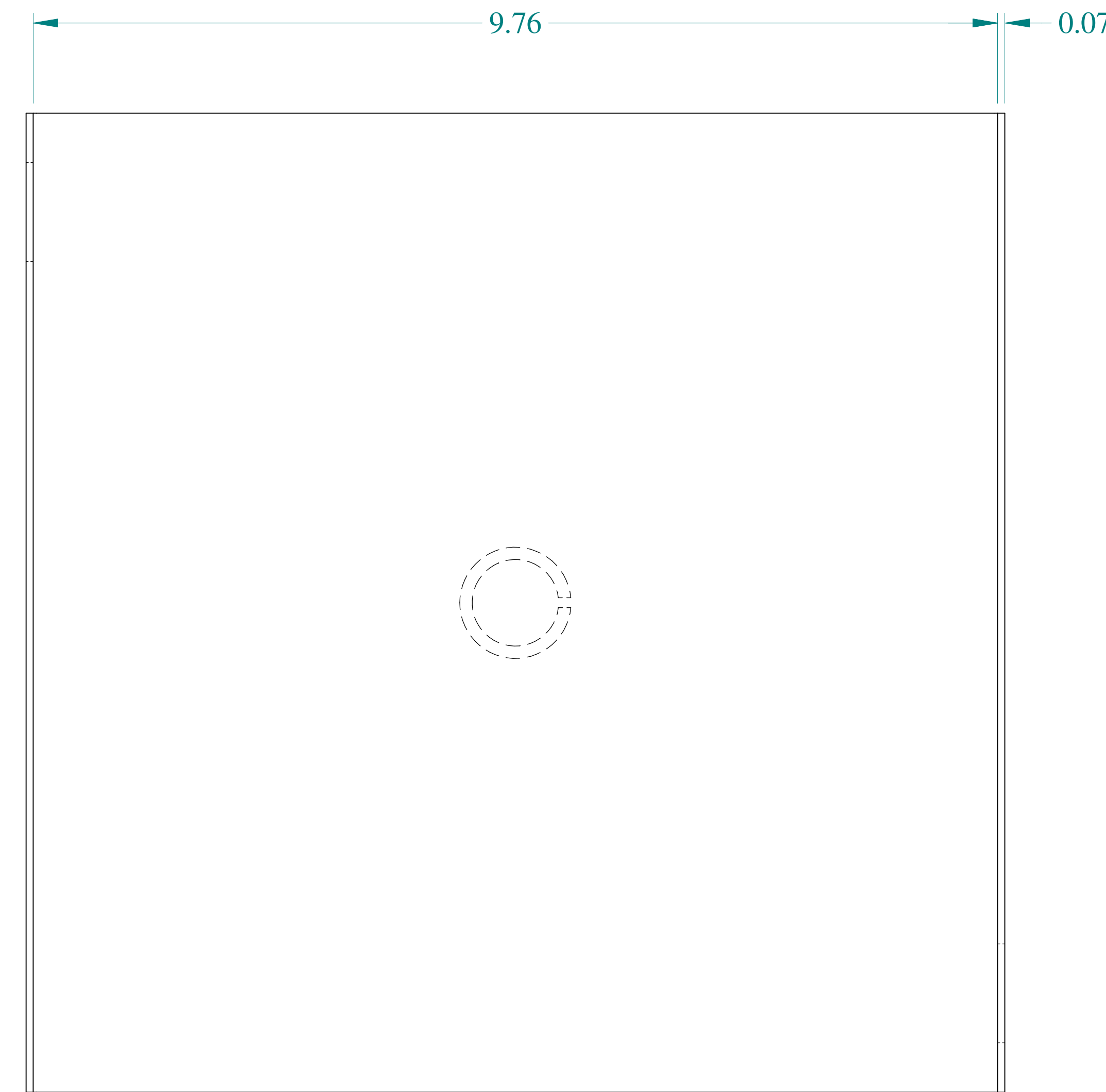
SIDE VIEW



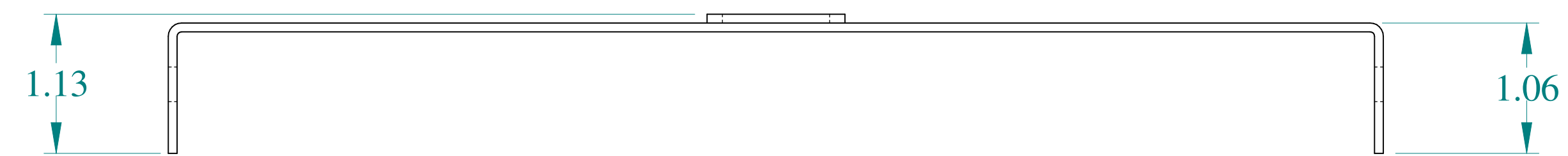
FRONT VIEW



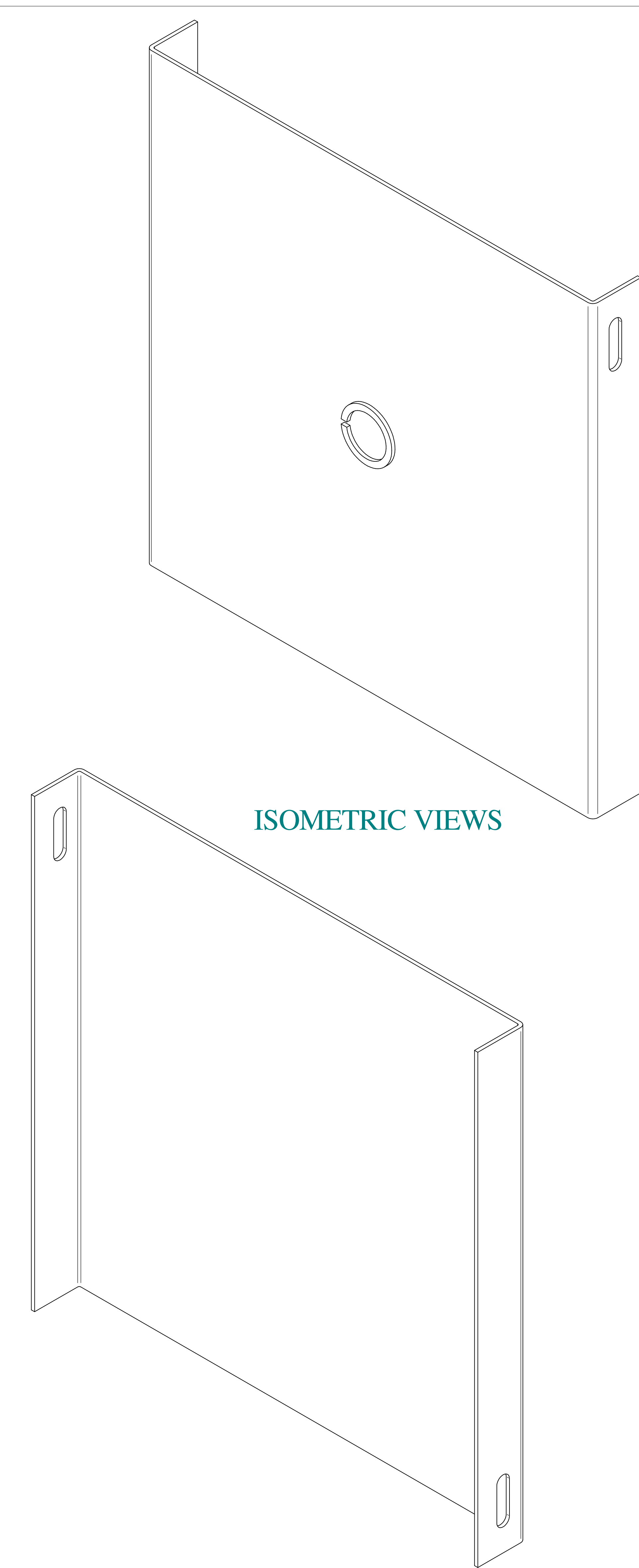
SIDE VIEW



BACK VIEW



BOTTOM VIEW



ISOMETRIC VIEWS



**HAMMOND  
MANUFACTURING®**

www.hammondmfg.com

Data subject to change without notice.

Part # : CWCP10G

Date : Jan. 27, 2020

Link: [www.hammg.com/CWCP10G](http://www.hammg.com/CWCP10G)