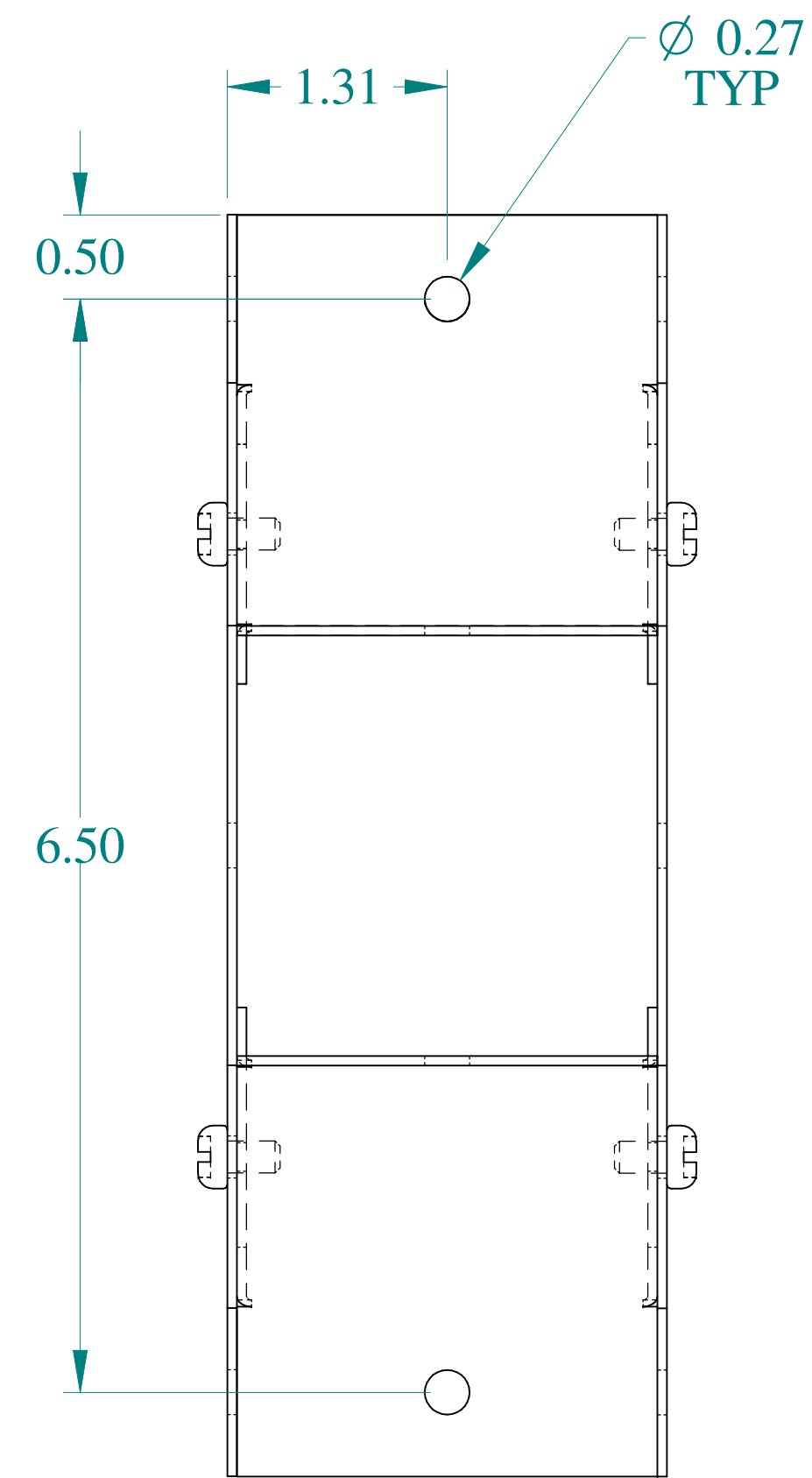
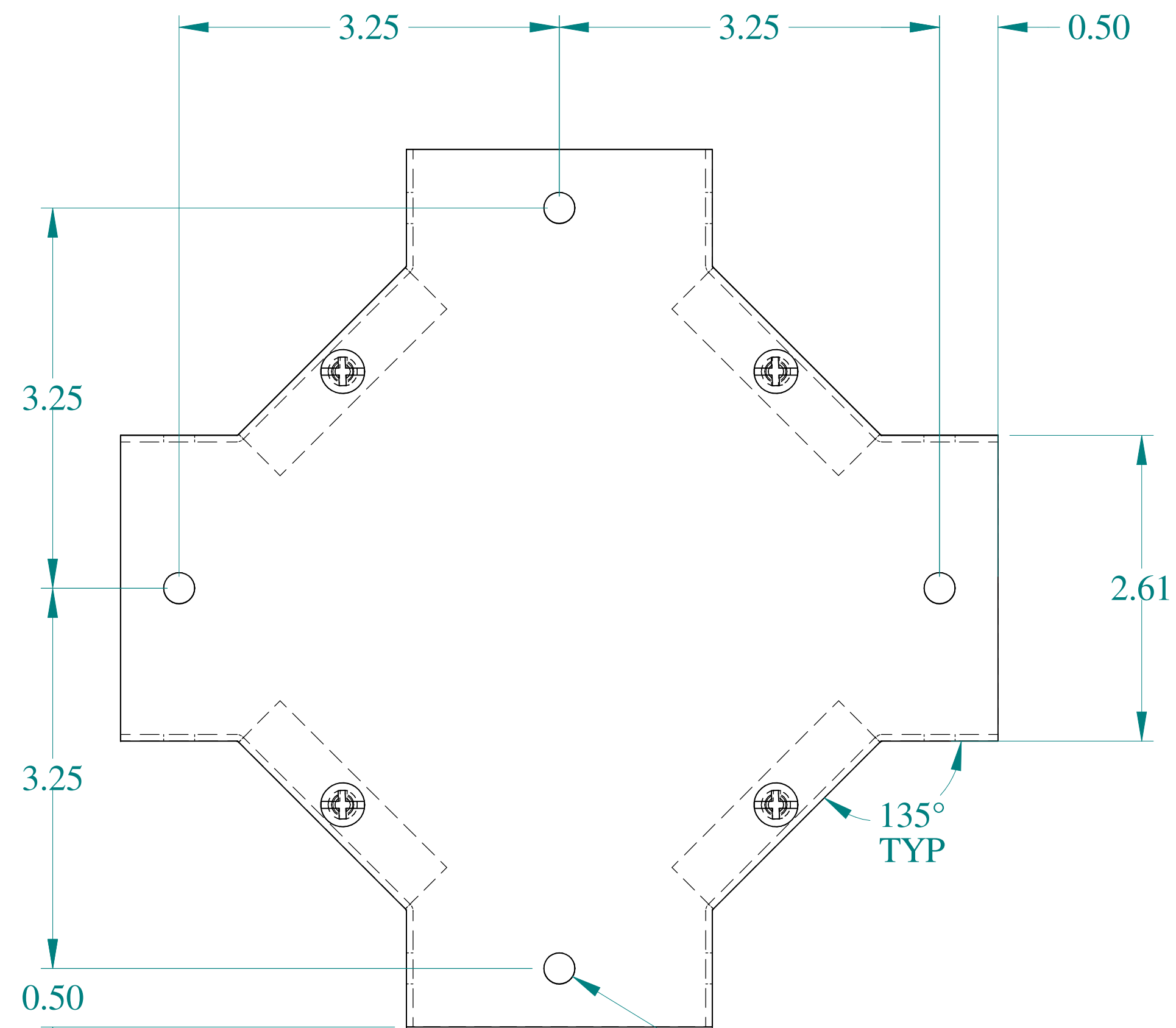


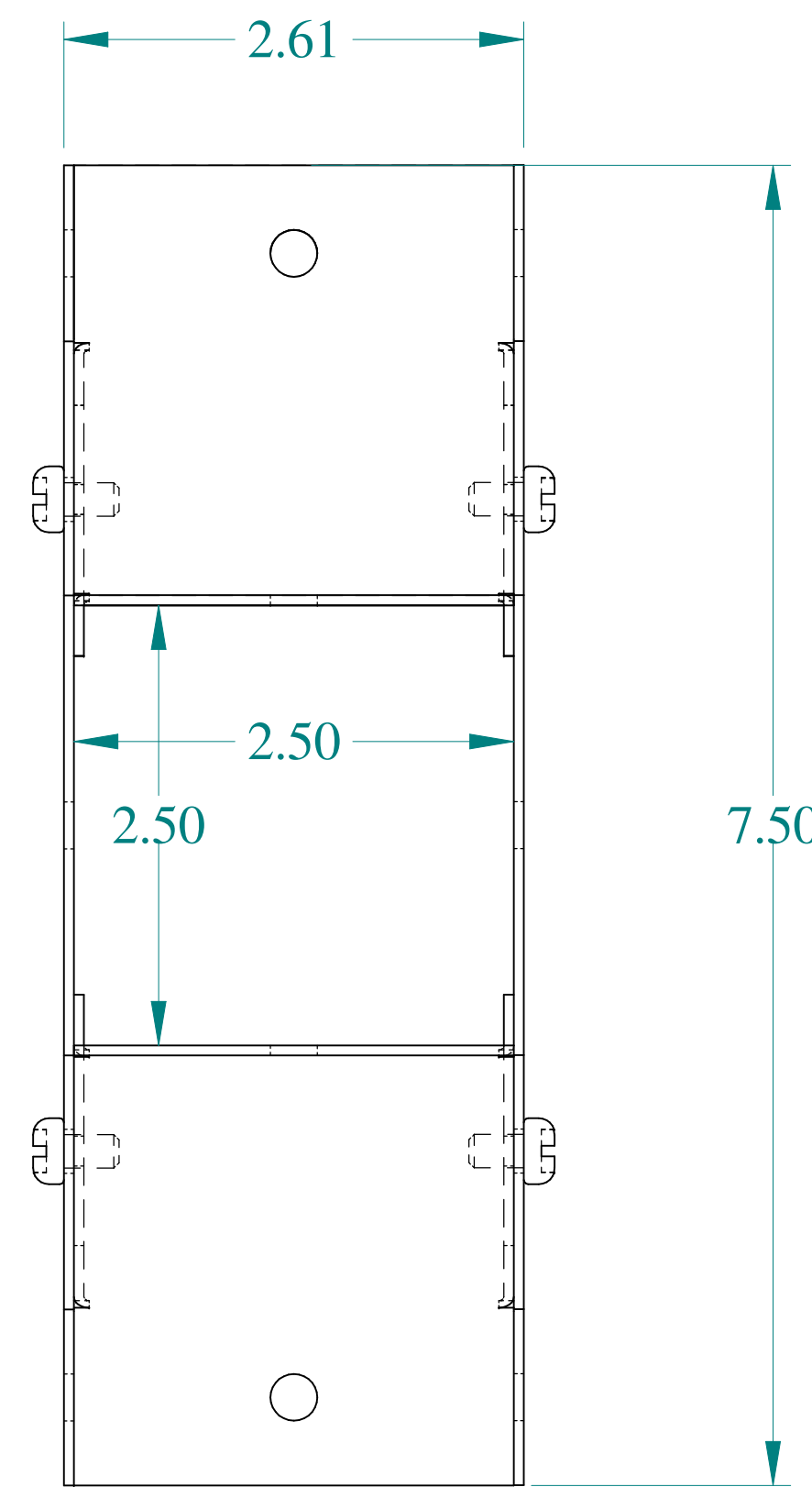
TOP VIEW



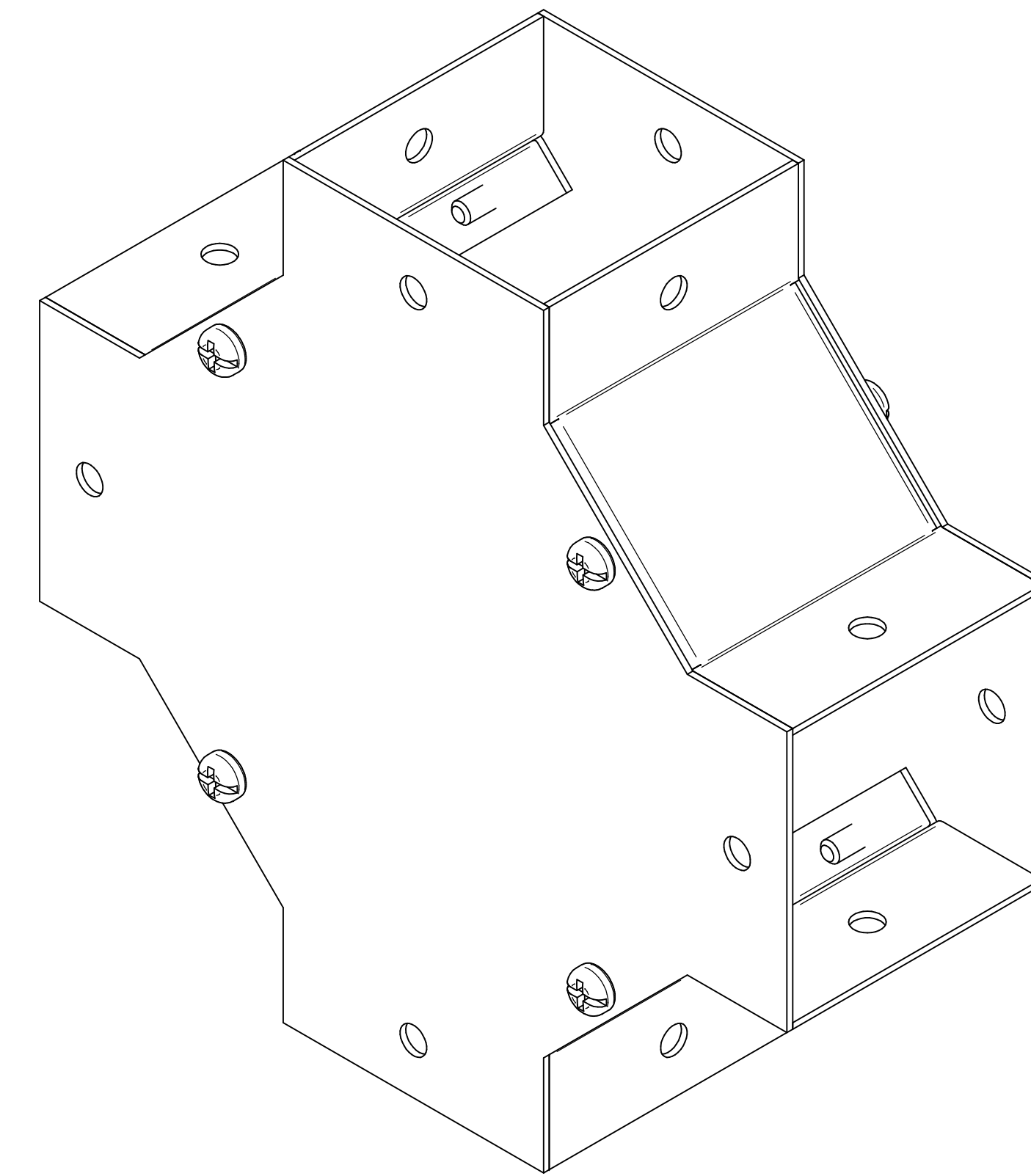
SIDE VIEW



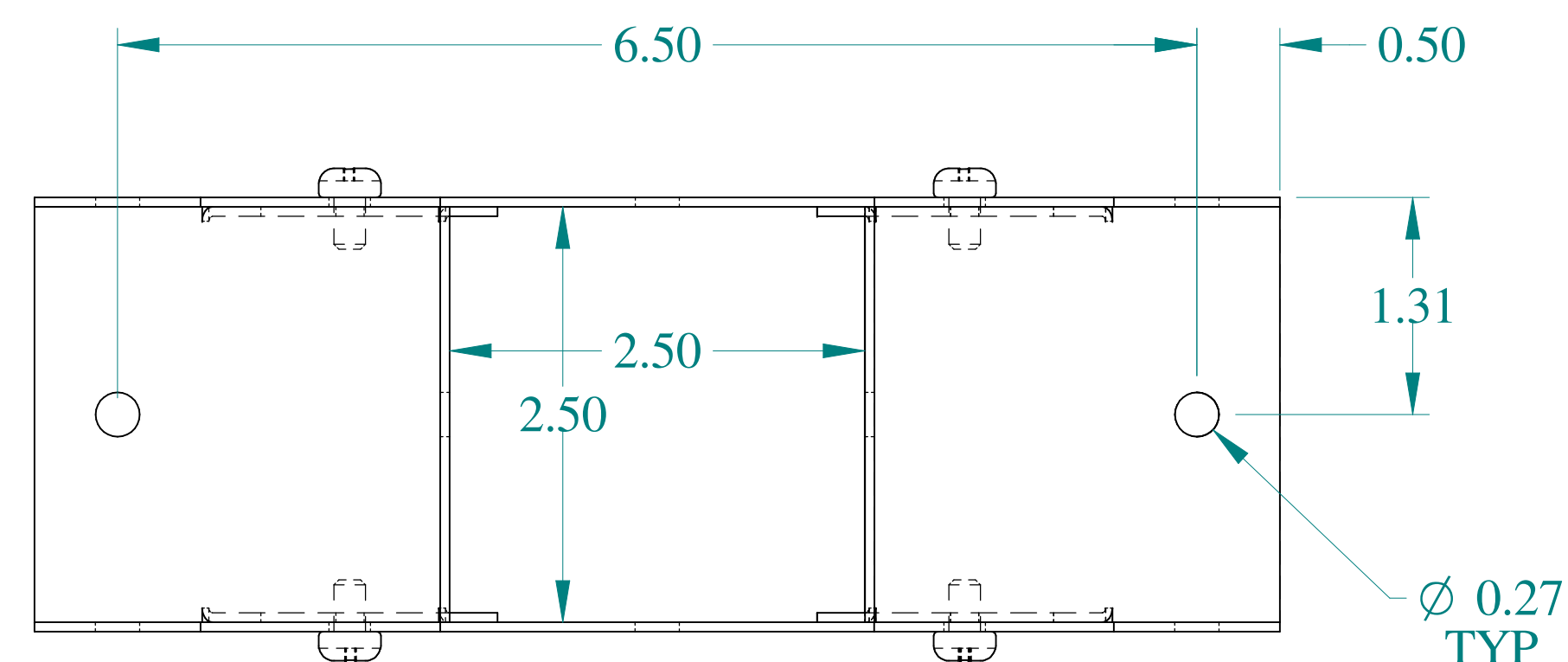
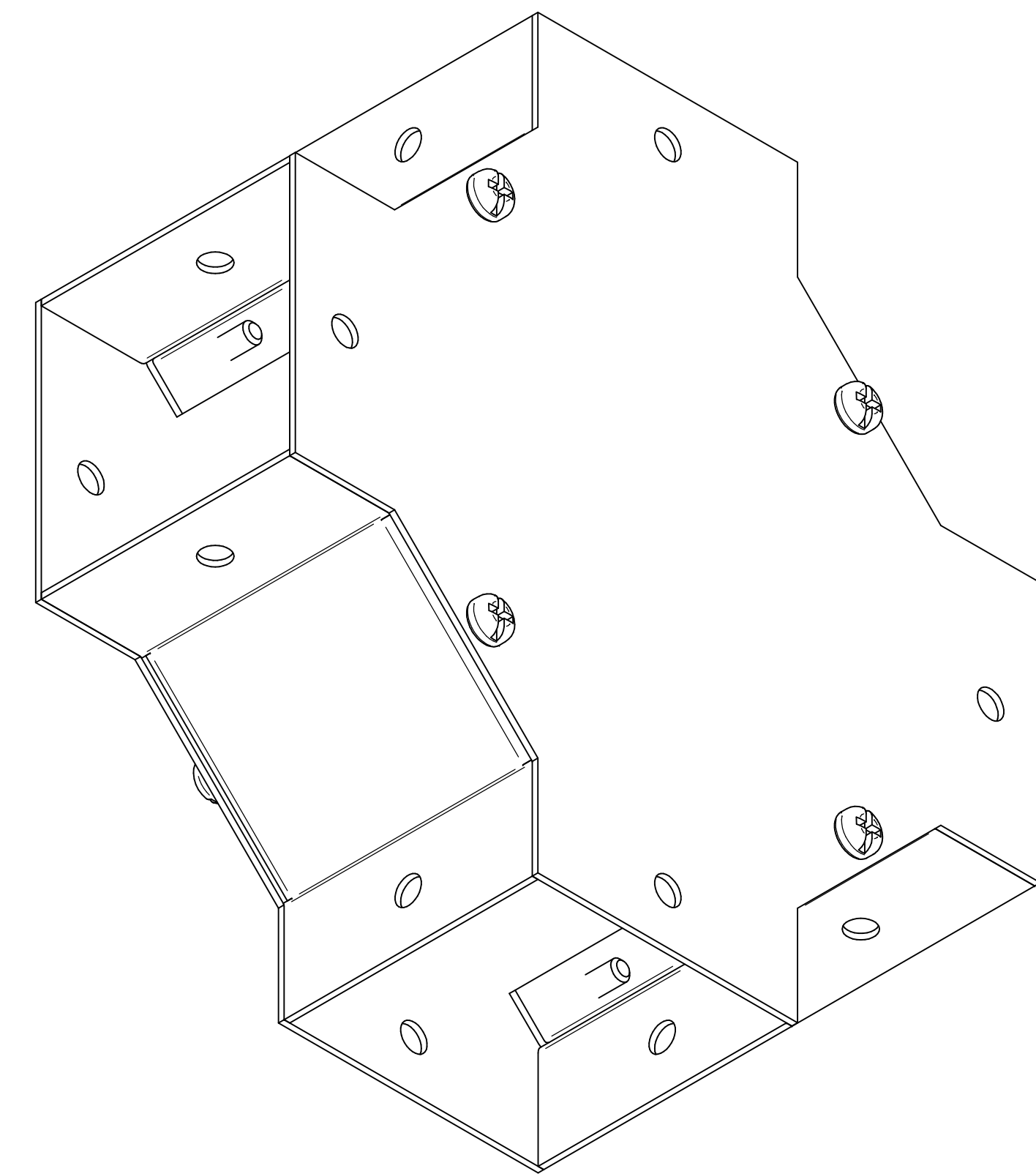
TOP VIEW



SIDE VIEW



ISOMETRIC VIEWS



BOTTOM VIEW

HAMMOND MANUFACTURING®
 www.hammondmfg.com

Data subject to change without notice.

Part # : CWCF2G

Date : Jan. 30, 2020

Link: www.hammfg.com/CWCF2G