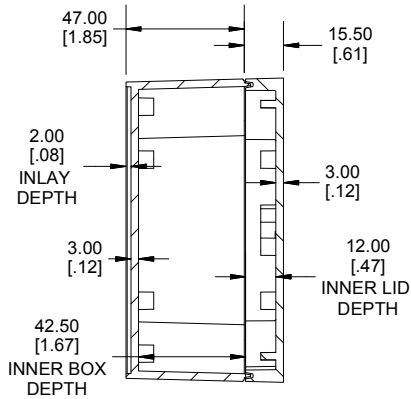
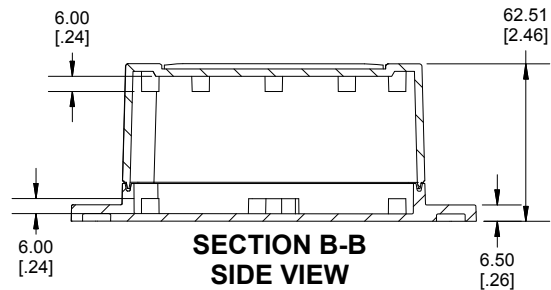


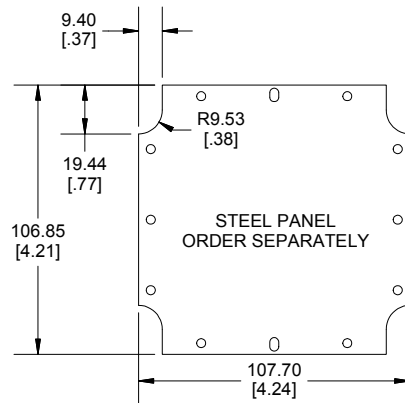
**ENCLOSURE ASSEMBLY TOP VIEW**



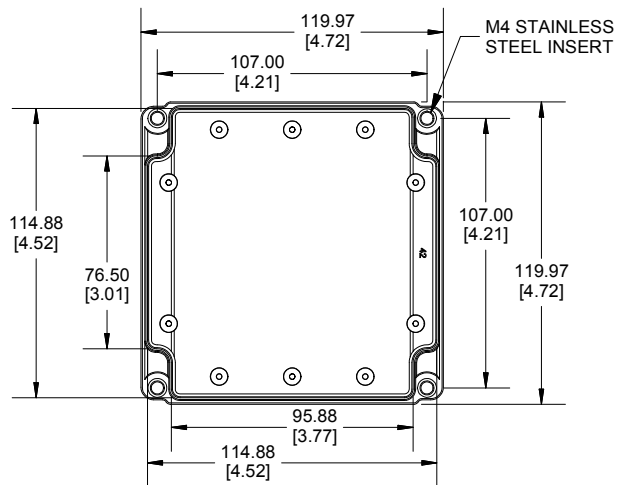
**SECTION A-A  
END VIEW**



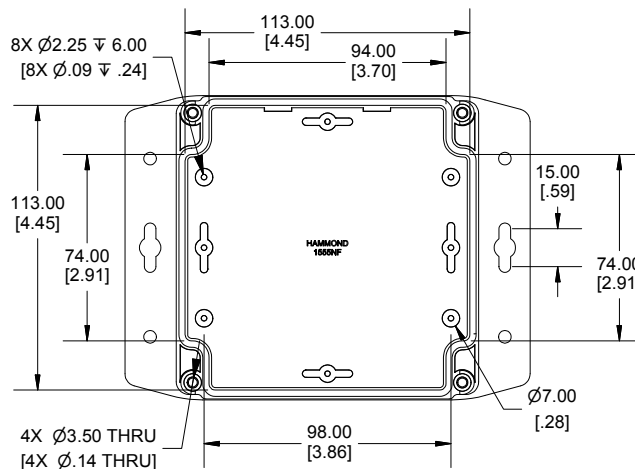
**SECTION B-B  
SIDE VIEW**



**STEEL PANEL  
ORDER SEPARATELY**




**INSIDE BOX VIEW**



**INSIDE LID VIEW**

**Dimensions:**  
mm  
[inches]

POLYCARBONATE  
VERSION ONLY  
  
 US LISTED  
 FILE #E65324  
 TYPE 4,4X,6,6P

Enclosures can be Factory Modified (Milling, Drilling, Printing etc.)  
 Contact Factory (modshop@hammondmgf.com) for quotes  
 Solid models of this enclosure available in .stp or .x\_t  
 (Part number and text placement/orientation on our products are subject to change,  
 we do not recommend using them as a locating reference for modification purposes)

**NOTE**

Purchased assembly includes styled box, flanged lid, 4 cover screws, and preformed silicone gasket.  
 General Purpose ABS version is not UL approved. (Matl UL94 - HB)  
 Polycarbonate version is UL 508 approved. (Matl UL94 - 5VA @ 3mm)

**Recommended Cover screw torque -- 2.5 lbf-in (30 cN-m)**

<b>1555NF</b>	
<b>1555NF Regular Enclosure</b>	
General Purpose ABS RAL-7035	1555NF42GY
Polycarbonate RAL-7035	1555N2F42GY
<b>ACCESSORIES</b>	
Steel Inner Panels	1555NFPL
Silicone Pre-formed Gasket Black	1554NGASKET
Steel Panel / P.C. Board Self Tapping Screw [#4 X 1/4" (6.4mm) Plated]	1555TS100
Stainless Steel Cover Screws [M4-0.7 X 20mm] (Pkg 50)	SC576-50



**HAMMOND  
MANUFACTURING**  
**1555NF42**  
 www.hammondmgf.com