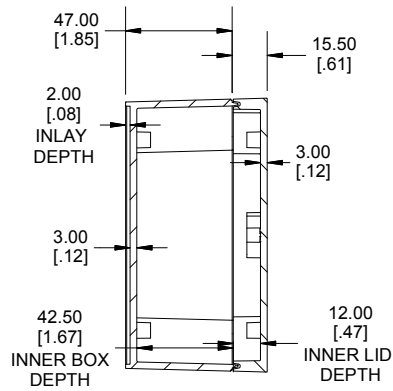
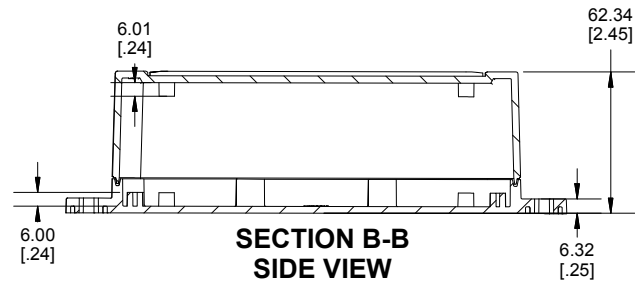


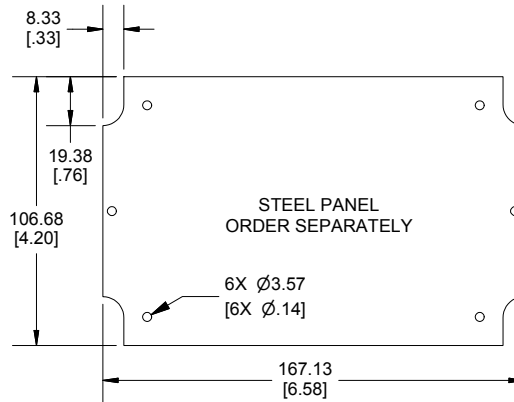
**ENCLOSURE ASSEMBLY TOP VIEW**



**SECTION A-A  
END VIEW**



**SECTION B-B  
SIDE VIEW**



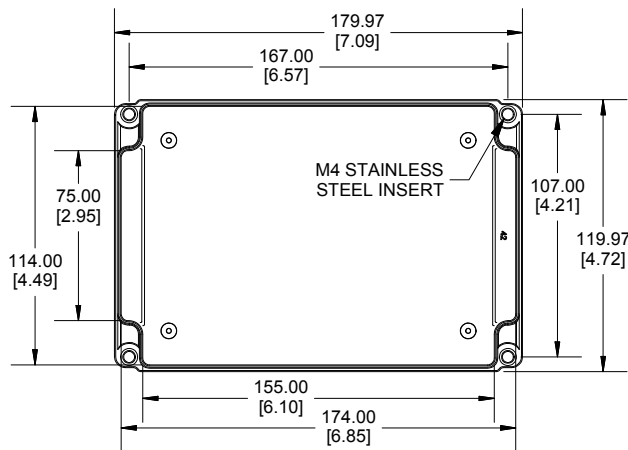
POLYCARBONATE  
VERSION ONLY  
 US LISTED  
 FILE #E65324  
 TYPE 4,4X,6,6P

Enclosures can be Factory Modified ( Milling, Drilling, Printing etc.)  
 Contact Factory [mjm@hammondmfg.com](mailto:mjm@hammondmfg.com) for quotes  
 Solid models of this enclosure available in STEP or IGES.  
 (Part number and text placement/orientation on our products are subject to change,  
 we do not recommend using them as a locating reference for modification purposes)

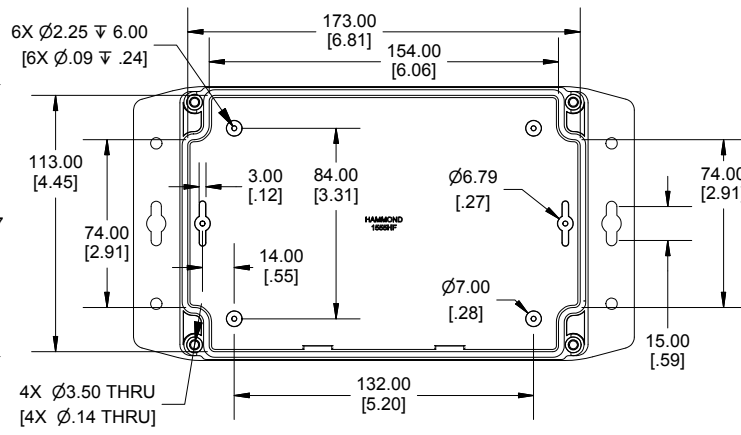
**NOTE**

Purchased assembly includes styled box, flanged lid, 4 cover screws, and preformed silicone gasket.  
 General Purpose ABS version is not UL approved. (Matl UL94 - HB)  
 Polycarbonate version is UL 508 approved. (Matl UL94 - 5VA @ 3mm)

**Recommended Cover screw torque -- 2.5 lbf-in (30 cN-m)**



**INSIDE BOX VIEW**



**INSIDE LID VIEW**

Dimensions:  
 mm  
 [inches]

1555HF	
1555HF Regular Enclosure	
General Purpose ABS RAL-7035	1555HF42GY
Polycarbonate RAL-7035	1555H2F42GY
ACCESSORIES	
Steel Inner Panels	1555HFPL
Silicone Pre-formed Gasket Black	1554HGASKET
Steel Panel / P.C. Board Self Tapping Screw [#4 X 1/4" (6.4mm) Plated]	1555TS100
Stainless Steel Cover Screws [M4-0.7 X 20mm] (Pkg 50)	SC576-50



**HAMMOND  
MANUFACTURING®**

**1555HF42**

[www.hammondmfg.com](http://www.hammondmfg.com)